

# PSM-SET-BFOC-LINK/2 - FO coupling

2799429

<https://www.phoenixcontact.com/us/products/2799429>

Please be informed that the data shown in this PDF document is generated from our online catalog. Please find the complete data in the user documentation. Our general terms of use for downloads are valid.

Coupling; set consisting of 2 couplings for connecting B-FOC plugs



## Commercial data

|                                      |               |
|--------------------------------------|---------------|
| Item number                          | 2799429       |
| Packing unit                         | 1 pc          |
| Sales key                            | AB16          |
| Product key                          | ABNIDA        |
| GTIN                                 | 4017918118389 |
| Weight per piece (including packing) | 19.3 g        |
| Weight per piece (excluding packing) | 19.3 g        |
| Customs tariff number                | 85366990      |
| Country of origin                    | DE            |

# PSM-SET-BFOC-LINK/2 - FO coupling



2799429

<https://www.phoenixcontact.com/us/products/2799429>

## Technical data

### Product properties

|                    |             |
|--------------------|-------------|
| Product type       | Data plug   |
| Application        | FO coupling |
| Connection profile | B-FOC (ST®) |

### Electrical properties

|             |        |
|-------------|--------|
| Attenuation | < 2 dB |
|-------------|--------|

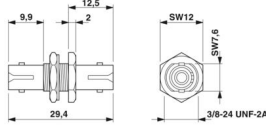
### Connection data

|                   |          |
|-------------------|----------|
| Connection method | Coupling |
|-------------------|----------|

### Interfaces

|                      |          |
|----------------------|----------|
| Signal type/category | Ethernet |
|----------------------|----------|

### Dimensions

|                     |  |
|---------------------|--|
| Dimensional drawing |  |
| Depth               | 29.4 mm  |

### Mechanical characteristics

|                  |         |
|------------------|---------|
| Ferrule diameter | 2.50 mm |
|------------------|---------|

### Material specifications

|  |               |
|--|---------------|
| Color                                  | Bare metallic |
| Material                               | Die-cast zinc |
| Flammability rating according to UL 94 | V0            |

### Cable/line

|                      |            |
|----------------------|------------|
| Cable type           | Fiberglass |
| Signal type/category | Ethernet   |

### FO cable

|                  |               |
|------------------|---------------|
| Number of fibers | 2             |
| Fiber type       | GOF, PCF, POF |
| Attenuation      | ≤ 0.2 dB      |

### Characteristics

|             |        |
|-------------|--------|
| Attenuation | < 2 dB |
|-------------|--------|

### Environmental and real-life conditions

# PSM-SET-BFOC-LINK/2 - FO coupling



2799429

<https://www.phoenixcontact.com/us/products/2799429>

## Ambient conditions

|   |                  |
|---|------------------|
| Degree of protection                    | IP20             |
|   | IP20             |
| Ambient temperature (operation)         | -40 °C ... 85 °C |
| Ambient temperature (storage/transport) | -40 °C ... 85 °C |
| Ambient temperature (assembly)          | -5 °C ... 50 °C  |

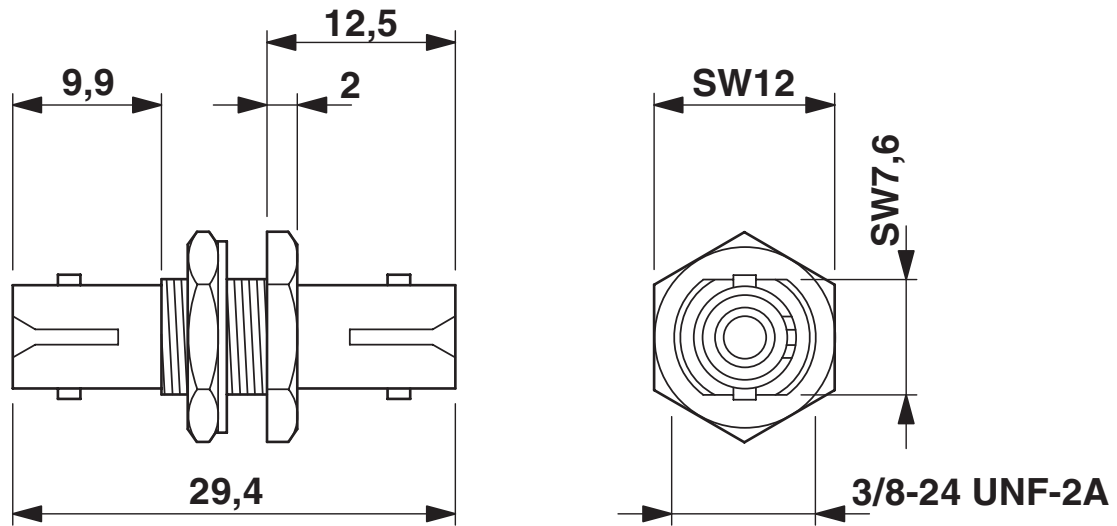
# PSM-SET-BFOC-LINK/2 - FO coupling

2799429

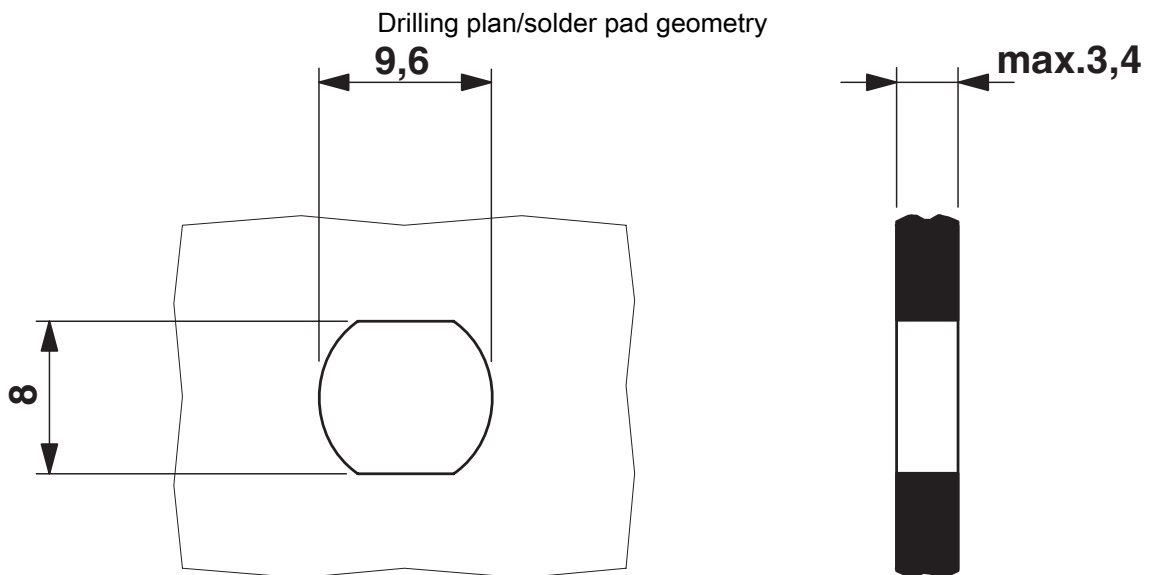
<https://www.phoenixcontact.com/us/products/2799429>

## Drawings

Dimensional drawing



Dimensional drawing B-FOC coupling



Drilling diagram B-FOC panel feed-through

# PSM-SET-BFOC-LINK/2 - FO coupling



2799429

<https://www.phoenixcontact.com/us/products/2799429>

## Classifications

### UNSPSC

|             |          |
|-------------|----------|
| UNSPSC 21.0 | 43223300 |
|-------------|----------|

# PSM-SET-BFOC-LINK/2 - FO coupling



2799429

<https://www.phoenixcontact.com/us/products/2799429>

## Environmental product compliance

### EU RoHS

|   |                    |
|---|--------------------|
| Fulfills EU RoHS substance requirements | Yes, No exemptions |
|---|--------------------|

### China RoHS

|  |  |
|--|--|
| Environment friendly use period (EFUP) | EFUP-E                                   |
|  | No hazardous substances above the limits |

### EU REACH SVHC

|                                     |                            |
|-------------------------------------|----------------------------|
| REACH candidate substance (CAS No.) | No substance above 0.1 wt% |
|-------------------------------------|----------------------------|

Phoenix Contact 2026 © - all rights reserved  
<https://www.phoenixcontact.com>

Phoenix Contact USA  
586 Fulling Mill Road  
Middletown, PA 17057, United States  
(+717) 944-1300  
[info@phoenixcon.com](mailto:info@phoenixcon.com)