

PSM PTK-4 - Connection distributor



2799364

<https://www.phoenixcontact.com/us/products/2799364>

Please be informed that the data shown in this PDF document is generated from our online catalog. Please find the complete data in the user documentation. Our general terms of use for downloads are valid.

Passive RS-485 T distributor, fitted with one 9-pin D-SUB pin strip and five 9-pin D-SUB socket strips



Commercial data

Item number	2799364
Packing unit	1 pc
Minimum order quantity	1 pc
Sales key	DN10
Product key	DNC551
GTIN	4017918074050
Weight per piece (including packing)	144 g
Weight per piece (excluding packing)	146.2 g
Customs tariff number	85366990
Country of origin	DE

PSM PTK-4 - Connection distributor

2799364

<https://www.phoenixcontact.com/us/products/2799364>

Technical data

Notes

Note on application

Note on application	Only for industrial use
---------------------	-------------------------

Product properties

Product type	Adapter
Application	Standard
Pin assignment	all 1:1

Electrical properties

Test voltage	500 V AC (50 Hz, 1 min, rms)
Maximum power dissipation for nominal condition	0 W
Nominal voltage U_N	60 V AC/DC
Nominal current I_N	1 A
Transmission medium	Copper

Connection data

Incoming

Connection method	D-SUB 9 plug
-------------------	--------------

Outgoing

Connection method	D-SUB-9 female connector
-------------------	--------------------------

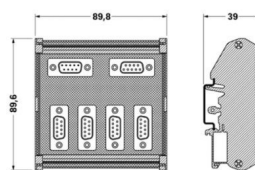
Branching

Connection method	4 x D-SUB-9 socket
-------------------	--------------------

Interfaces

Bus system	RS-485
------------	--------

Dimensions

Dimensional drawing	
Width	89.8 mm
Height	89.6 mm
Length	39 mm

PSM PTK-4 - Connection distributor



2799364

<https://www.phoenixcontact.com/us/products/2799364>

Material specifications

Color (Housing)	green (RAL 6021)
Material (Housing)	PVC
Flammability rating according to UL 94	V0

Cable/line

Shielding	D-SUB frame
-----------	-------------

Environmental and real-life conditions

Ambient conditions

Degree of protection	IP20
Ambient temperature (operation)	-25 °C ... 70 °C

Standards and regulations

Free from substances that could impair the application of coating	VDMA 24364:2018-05
---	--------------------

Mounting

Mounting type	DIN rail mounting
---------------	-------------------

PSM PTK-4 - Connection distributor

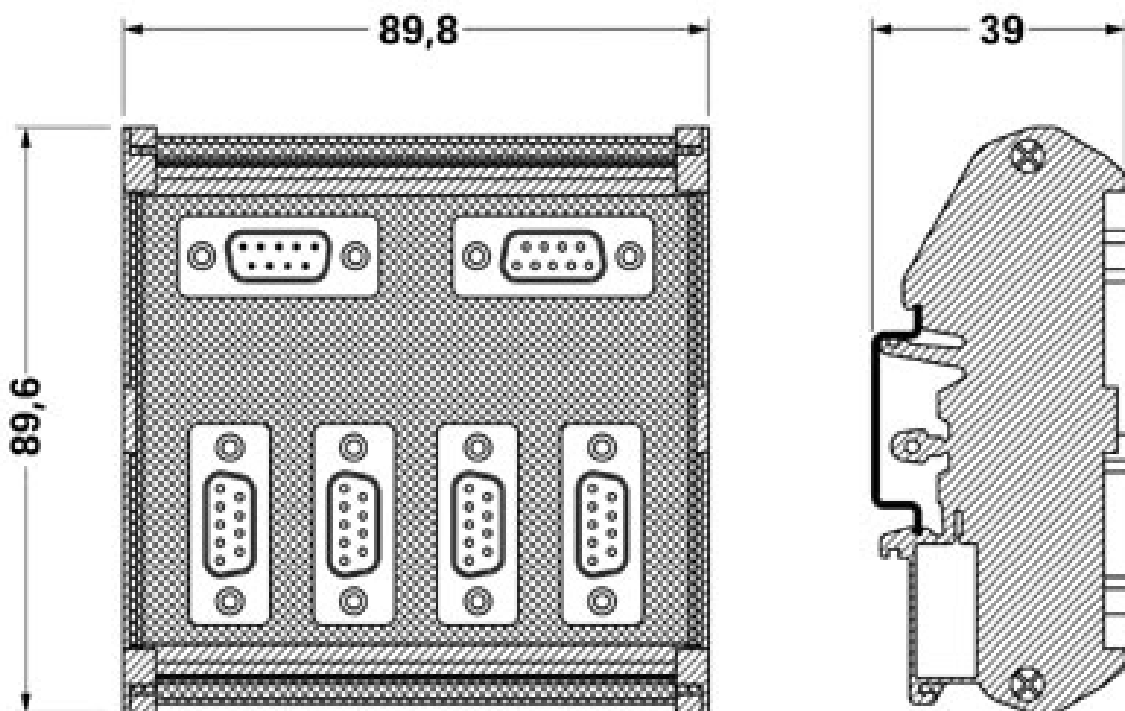
2799364

<https://www.phoenixcontact.com/us/products/2799364>



Drawings

Dimensional drawing



Dimensional drawing

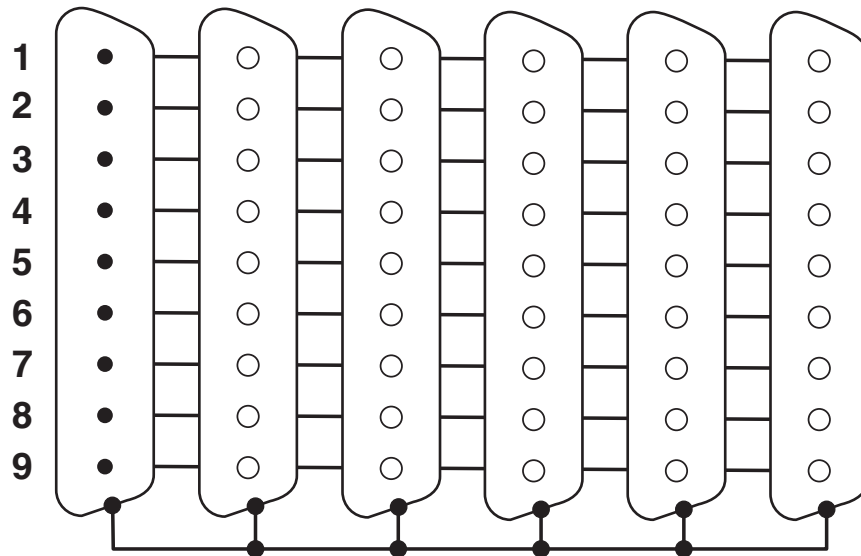
PSM PTK-4 - Connection distributor



2799364

<https://www.phoenixcontact.com/us/products/2799364>

Circuit diagram



Circuit diagram

PSM PTK-4 - Connection distributor



2799364

<https://www.phoenixcontact.com/us/products/2799364>

Classifications

ECLASS

ECLASS-13.0	27242208
ECLASS-15.0	27242208

UNSPSC

UNSPSC 21.0	32151700
-------------	----------

PSM PTK-4 - Connection distributor



2799364

<https://www.phoenixcontact.com/us/products/2799364>

Environmental product compliance

EU RoHS

Fulfills EU RoHS substance requirements	Yes, No exemptions
---	--------------------

China RoHS

Environment friendly use period (EFUP)	EFUP-E
	No hazardous substances above the limits

EU REACH SVHC

REACH candidate substance (CAS No.)	No substance above 0.1 wt%
-------------------------------------	----------------------------

EF3.1 Climate Change

CO2e kg	1.32 kg CO2e
---------	--------------

Phoenix Contact 2026 © - all rights reserved
<https://www.phoenixcontact.com>

Phoenix Contact USA
586 Fulling Mill Road
Middletown, PA 17057, United States
(+717) 944-1300
info@phoenixcon.com