

UBK 2-500 - Surge protection device



2798530

<https://www.phoenixcontact.com/us/products/2798530>

Please be informed that the data shown in this PDF document is generated from our online catalog. Please find the complete data in the user documentation. Our general terms of use for downloads are valid.

DIN rail module with coarse surge protection for two signal wires. Self-contacting grounding foot for mounting on NS 32 or NS 35/7.5, housing width: 17.5 mm. Design: 500 V AC



Commercial data

Item number	2798530
Packing unit	10 pc
Minimum order quantity	1 pc
Sales key	CL02
Product key	CL2233
GTIN	4017918073800
Weight per piece (including packing)	60.01 g
Weight per piece (excluding packing)	60.01 g
Customs tariff number	85363010
Country of origin	DE

UBK 2-500 - Surge protection device

2798530

<https://www.phoenixcontact.com/us/products/2798530>

Technical data

Product properties

Product type	Surge protection for MCR technology
Product family	SURGETRAB
IEC test classification	C2
	D1
Type	DIN rail module, one-piece

Insulation characteristics

Overvoltage category	III
Pollution degree	2

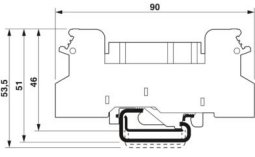
Electrical properties

Nominal voltage U_N	500 V AC
-----------------------	----------

Connection data

Connection method	Screw connection
Screw thread	M3
Tightening torque	0.5 Nm ... 0.6 Nm
Conductor cross-section flexible	0.2 mm ² ... 2.5 mm ²
Conductor cross-section rigid	0.2 mm ² ... 4 mm ²
Conductor cross-section AWG	24 ... 12

Dimensions

Dimensional drawing	
Width	17.5 mm
Height	90 mm
Depth	46 mm (incl. DIN rail 7.5 mm)
Horizontal pitch	1 Div.

Material specifications

Color	black (RAL 9005)
Flammability rating according to UL 94	V-2
Housing material	PA 6.6

Protective circuit

Direction of action	Line-Earth Ground
Nominal voltage U_N	500 V AC
Maximum continuous operating voltage U_C	500 V AC

UBK 2-500 - Surge protection device



2798530

<https://www.phoenixcontact.com/us/products/2798530>

Rated current	2 A
Operating effective current I_C at U_C	$\leq 1 \mu\text{A}$
Protective conductor current I_{PE}	$\leq 1 \mu\text{A}$
Nominal discharge current I_n (8/20) μs (line-line)	10 kA
Nominal discharge current I_n (8/20) μs (line-ground)	10 kA
Pulse discharge current I_{imp} (10/350) μs	2.5 kA
Output voltage limitation at 1 kV/ μs (line-line) static	$\leq 2.5 \text{ kV}$ $\leq 2.7 \text{ kV}$ (4 kV (1.2/50) μs)
Output voltage limitation at 1 kV/ μs (line-earth) static	$\leq 1.5 \text{ kV}$ $\leq 1.7 \text{ kV}$ (4 kV (1.2/50) μs)
Voltage protection level U_p (line-line)	3.5 kV (C2 - 10 kV / 5 kA)
Voltage protection level U_p (line-earth)	2.2 kV (C2 - 10 kV / 5 kA) 2.3 kV (Iimp -2.5 kA)
Response time t_A (line-line)	$\leq 100 \text{ ns}$
Response time t_A (line-earth)	$\leq 100 \text{ ns}$
Input attenuation aE, sym.	typ. 0 dB ($\leq 30 \text{ MHz}/50 \Omega$)
Cut-off frequency f_g (3 dB), sym. in 50 Ω system	typ. 60 MHz
Capacity (Core-Core)	typ. 7 pF
Surge protection fault message	none
Max. required back-up fuse	2 A (gL)
Impulse durability (line-line)	C2 - 10 kV / 5 kA
Impulse durability (line-earth)	C2 - 10 kV / 5 kA D1 - 2.5 kA
Alternating current carrying capacity (line-line)	10 A - 1 s
Alternating current carrying capacity (line-earth)	10 A - 1 s

Environmental and real-life conditions

Ambient conditions

Degree of protection	IP20
Ambient temperature (operation)	-40 °C ... 80 °C
Ambient temperature (storage/transport)	-40 °C ... 80 °C
Altitude	$\leq 2000 \text{ mm}$ (amsl)

Standards and regulations

Air clearances and creepage distances

Standards/regulations	IEC 60664-1
Standards/specifications	IEC 61643-21
Note	2000 + A1:2008
Standards/specifications	EN 61643-21
Note	2001 + A1:2009

Mounting

Mounting type	DIN rail: 35 mm
---------------	-----------------

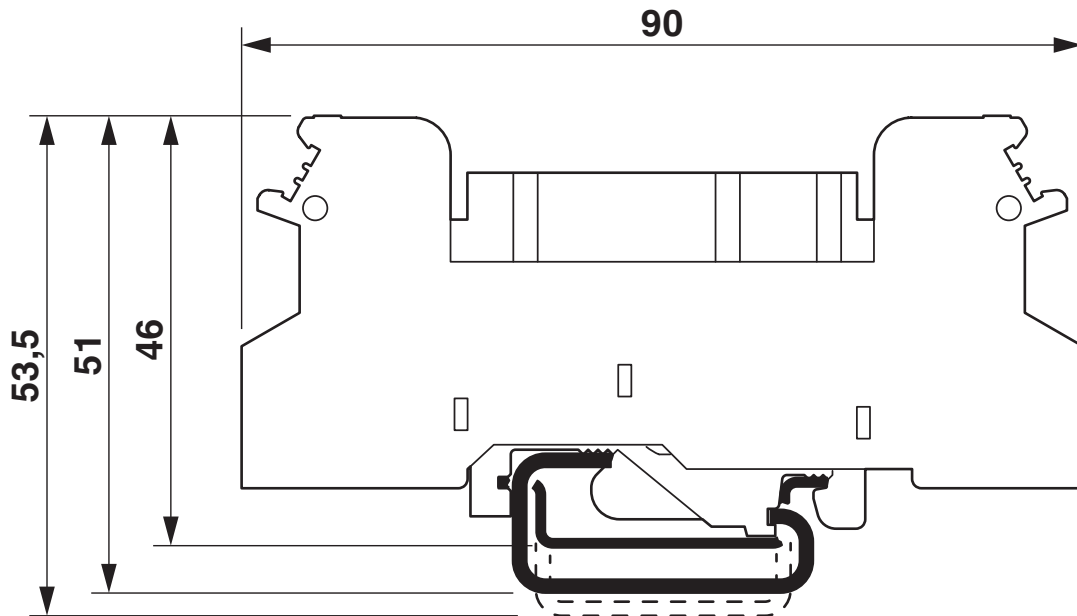
UBK 2-500 - Surge protection device

2798530

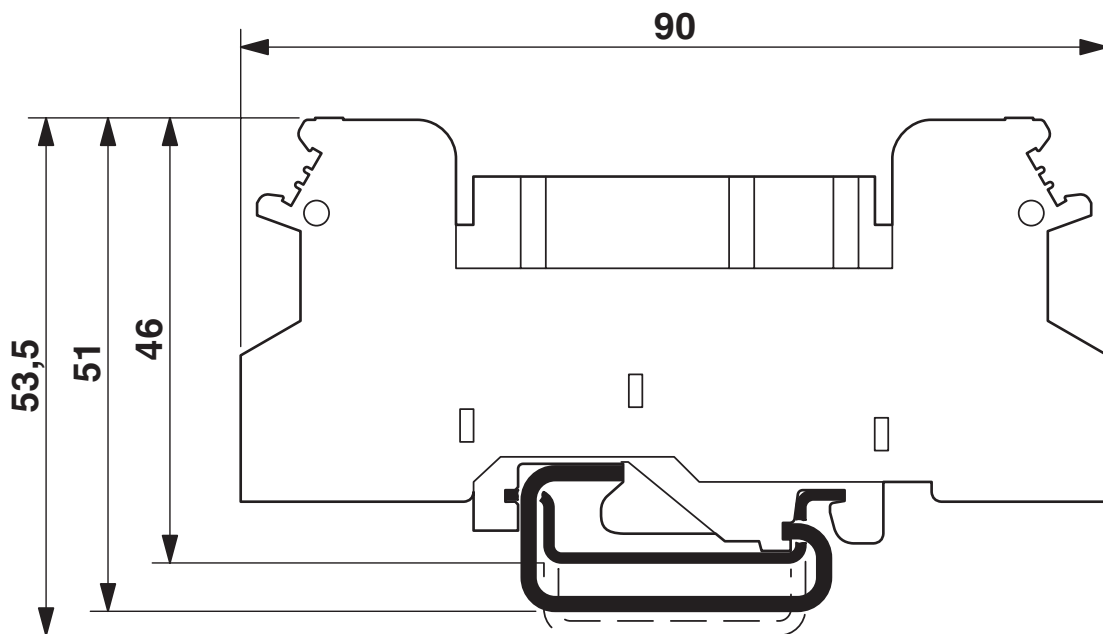
<https://www.phoenixcontact.com/us/products/2798530>

Drawings

Dimensional drawing



Dimensional drawing



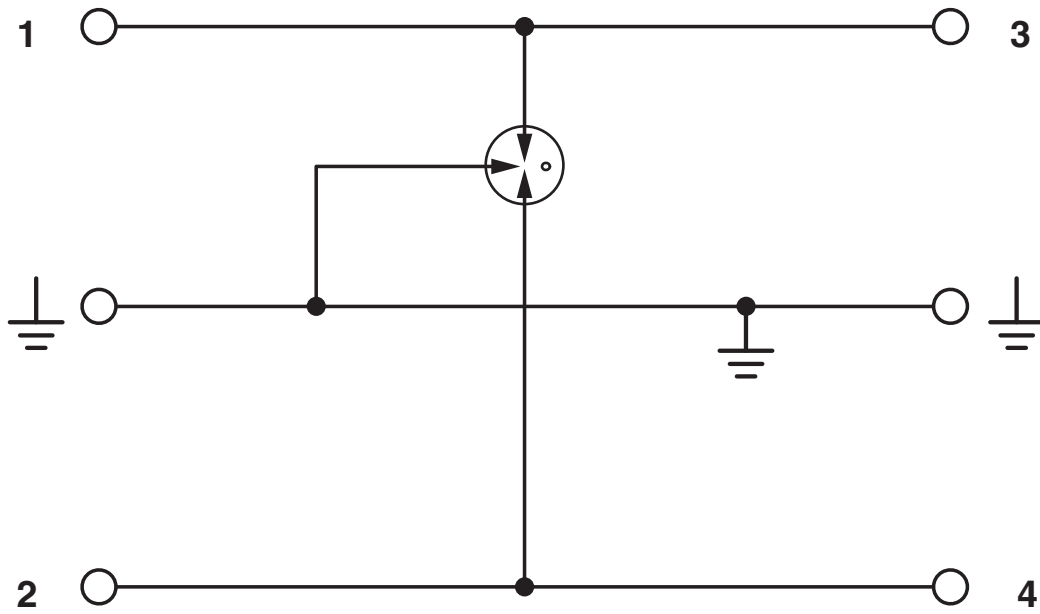
UBK 2-500 - Surge protection device



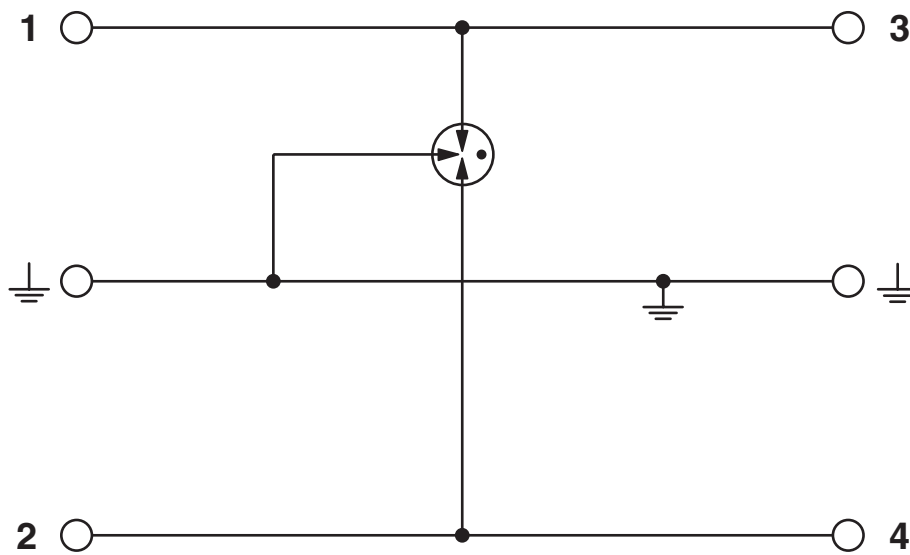
2798530

<https://www.phoenixcontact.com/us/products/2798530>

Circuit diagram



Circuit diagram



UBK 2-500 - Surge protection device



2798530

<https://www.phoenixcontact.com/us/products/2798530>

Approvals

🔗 To download certificates, visit the product detail page: <https://www.phoenixcontact.com/us/products/2798530>

UAE-RoHS

Approval ID: 23-10-88704

UBK 2-500 - Surge protection device



2798530

<https://www.phoenixcontact.com/us/products/2798530>

Classifications

ECLASS

ECLASS-13.0	27171501
ECLASS-15.0	27171501

ETIM

ETIM 10.0	EC001466
-----------	----------

UNSPSC

UNSPSC 21.0	39121600
-------------	----------

UBK 2-500 - Surge protection device



2798530

<https://www.phoenixcontact.com/us/products/2798530>

Environmental product compliance

EU RoHS

Fulfills EU RoHS substance requirements	Yes
Exemption	6(a), 6(a)-I

China RoHS

Environment friendly use period (EFUP)	EFUP-50
	An article-related China RoHS declaration table can be found in the download area for the respective article under "Manufacturer declaration". For all articles with EFUP-E, no China RoHS declaration table issued and required.

EU REACH SVHC

REACH candidate substance (CAS No.)	Lead(CAS: 7439-92-1)
SCIP	00cca5d2-68b8-41dd-90d7-5b4d95710c72

Phoenix Contact 2026 © - all rights reserved

<https://www.phoenixcontact.com>

Phoenix Contact USA
586 Fulling Mill Road
Middletown, PA 17057, United States
(+717) 944-1300
info@phoenixcon.com