

D-UFB-V11/BS-S - Surge protection device



2796147

<https://www.phoenixcontact.com/us/products/2796147>

Please be informed that the data shown in this PDF document is generated from our online catalog. Please find the complete data in the user documentation. Our general terms of use for downloads are valid.

Attachment plug with surge protection for V.11 interface. Connection: D-SUB-15 socket/plug, for direct assembly on the device interface



Commercial data

Item number	2796147
Packing unit	1 pc
Note	Made to order (non-returnable)
Sales key	CL03
Product key	CL3113
GTIN	4017918073336
Weight per piece (including packing)	114.2 g
Weight per piece (excluding packing)	100.2 g
Customs tariff number	85363010
Country of origin	DE

D-UFB-V11/BS-S - Surge protection device

2796147

<https://www.phoenixcontact.com/us/products/2796147>

Technical data

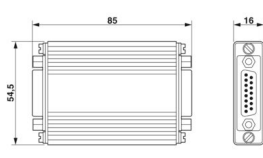
Product properties

IEC test classification	C1
	C2
	C3
	D1
VDE requirement class	C1
	C2
	C3
	D1
Type	Intermediate plug

Connection data

Connection method	D-SUB-15
-------------------	----------

Dimensions

Dimensional drawing	
Width	24.5 mm
Height	54.5 mm
Length	84.6 mm

Material specifications

Housing material	Aluminum
------------------	----------

Mechanical properties

Mechanical data

Open side panel	No
-----------------	----

Protective circuit

Direction of action	Line-Line & Line-Signal Ground/Shield & Signal Ground/Shield-Earth Ground
Maximum continuous voltage U_C (line-line)	12 V DC
Maximum continuous voltage U_C (line-signal ground)	12 V DC
Nominal current I_N	175 mA (25 °C)
Operating effective current I_C at U_C	$\leq 10 \mu A$
Protective conductor current I_{PE}	$\leq 4 \mu A$
Nominal discharge current I_n (8/20) μs (line-line)	5 kA
Nominal discharge current I_n (8/20) μs (line-ground)	5 kA

D-UFB-V11/BS-S - Surge protection device



2796147

<https://www.phoenixcontact.com/us/products/2796147>

Nominal discharge current I_n (8/20) μs (line-signal ground)	5 kA
Total surge current (8/20) μs	10 kA
Output voltage limitation at 1 kV/ μs (line-line) spike	≤ 22 V
Output voltage limitation at 1 kV/ μs (line-earth) spike	≤ 600 V
Output voltage limitation at 1 kV/ μs (line-line) static	≤ 22 V
Output voltage limitation at 1 kV/ μs (line-earth) static	≤ 600 V
Output voltage limitation at 1 kV/ μs (line-signal ground) static	≤ 22 V
Residual voltage at I_n (conductor-conductor)	≤ 17 V
Residual voltage at I_n (line-signal ground)	≤ 33 V
Voltage protection level U_p (line-line)	≤ 25 V (C2 - 4 kV / 2 kA)
	≤ 30 V (C2 - 10 kV / 5 kA)
Voltage protection level U_p (line-earth)	≤ 700 V (C2 - 10 kV / 5 kA)
Voltage protection level U_p (line-signal ground)	≤ 30 V (C2 - 4 kV / 2 kA)
Response time t_A (line-line)	≤ 1 ns
Response time t_A (line-earth)	≤ 100 ns
Response time t_A (line-signal ground)	≤ 1 ns
Input attenuation aE, sym.	3.2 dB (≤ 1 MHz)
	0.4 dB (≤ 600 kHz)
Input attenuation aE, asym.	1.7 dB (≤ 1 MHz)
	0.1 dB (≤ 600 kHz)
Cut-off frequency f_g (3 dB), sym. in 50 Ω system	typ. 5 MHz
Cut-off frequency f_g (3 dB), sym. in 600 Ω system	typ. 500 kHz
Cut-off frequency f_g (3 dB), asym. (PE) in 50 Ω system	typ. 5 MHz
Cut-off frequency f_g (3 dB), asym. (PE) in 600 Ω system	typ. 500 kHz
Resistance per path	22 Ω
Impulse durability (line-line)	C2 - 10 kV / 5 kA
Impulse durability (line-earth)	C2 - 10 kV / 5 kA
	D1 - 2.5 kA

Environmental and real-life conditions

Ambient conditions

Degree of protection	IP20
Ambient temperature (operation)	-40 °C ... 60 °C

Standards and regulations

VDE requirement class	C1
	C2
	C3
	D1

Standards Information technology specification

Standards/regulations	IEC 61643-21
	IEC 61643-21

Air clearances and creepage distances

D-UFB-V11/BS-S - Surge protection device



2796147

<https://www.phoenixcontact.com/us/products/2796147>

Standards/regulations	VDE 0110-1 / IEC 60664-1
Standards/specifications	IEC 61643-21
Note	2000

Mounting

Mounting type	Connection-specific intermediate plugging
---------------	---

D-UFB-V11/BS-S - Surge protection device

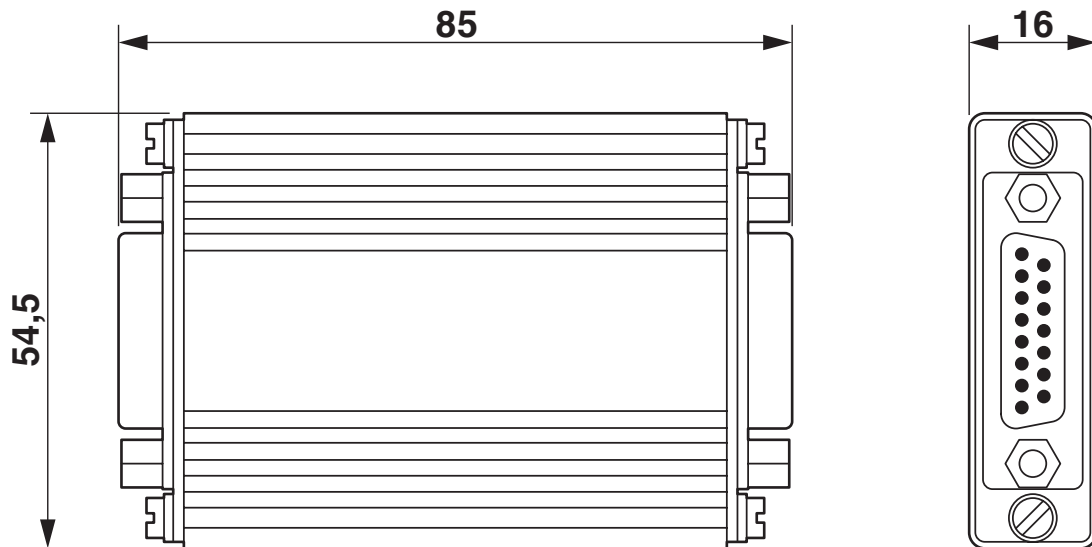
2796147

<https://www.phoenixcontact.com/us/products/2796147>

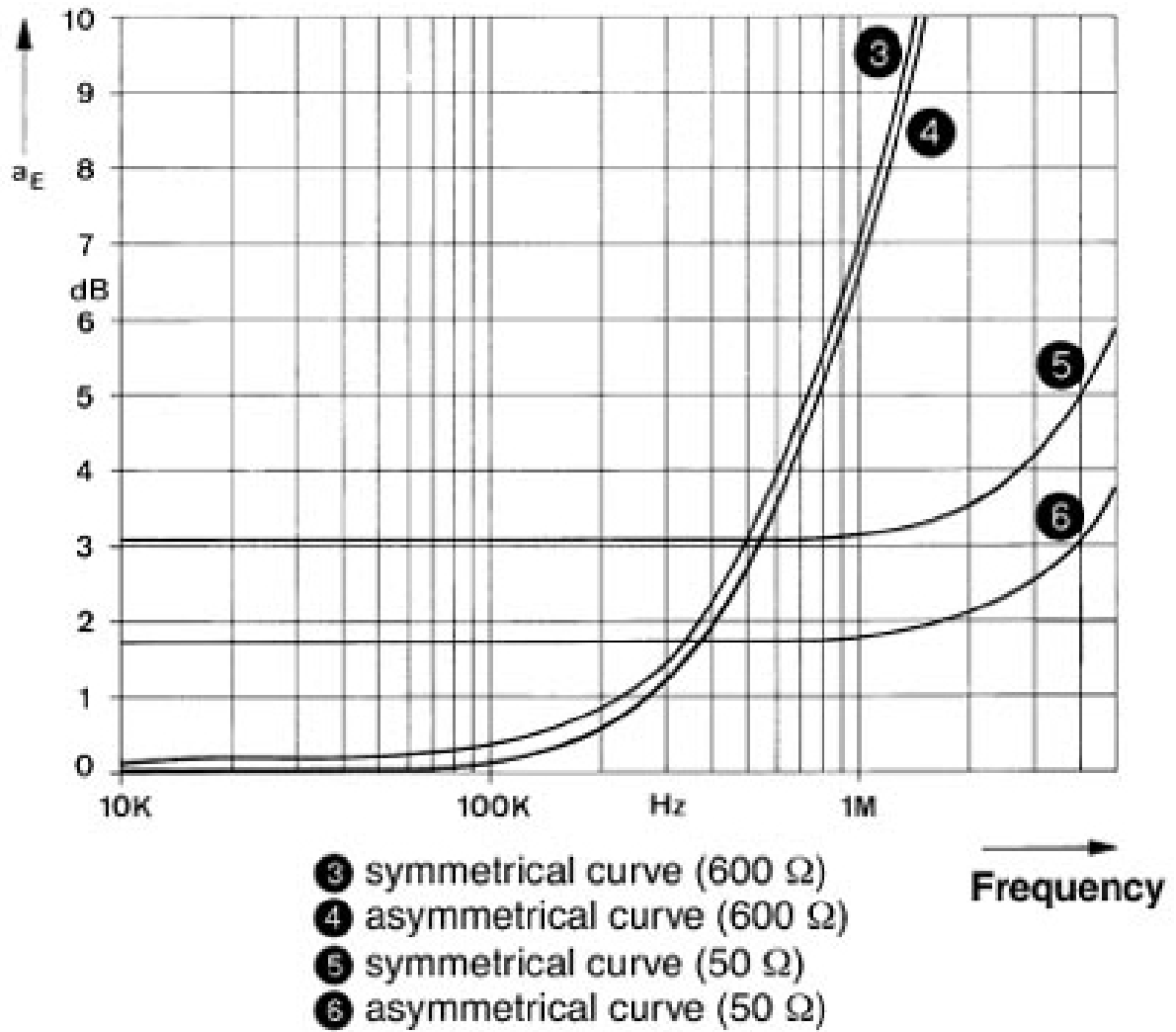


Drawings

Dimensional drawing



Diagram



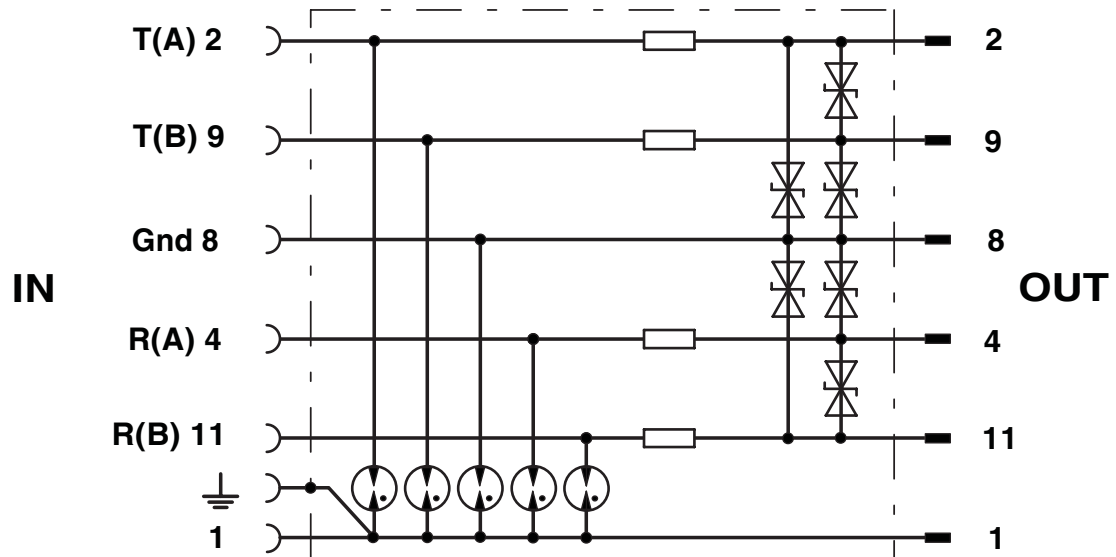
D-UFB-V11/BS-S - Surge protection device



2796147

<https://www.phoenixcontact.com/us/products/2796147>

Circuit diagram



D-UFB-V11/BS-S - Surge protection device



2796147

<https://www.phoenixcontact.com/us/products/2796147>

Environmental product compliance

EU REACH SVHC

REACH candidate substance (CAS No.)	
-------------------------------------	--

	No substance above 0.1 wt%
--	----------------------------

Phoenix Contact 2026 © - all rights reserved

<https://www.phoenixcontact.com>

Phoenix Contact USA
586 Fulling Mill Road
Middletown, PA 17057, United States
(+717) 944-1300
info@phoenixcon.com