

UEGM 22,5 BK - Electronics housing



2792895

<https://www.phoenixcontact.com/us/products/2792895>

Please be informed that the data shown in this PDF document is generated from our online catalog. Please find the complete data in the user documentation. Our general terms of use for downloads are valid.



The figure shows a green version

Electronic housing, for PCB insertion, fully equipped with 3 screw or 6 tab connections per side

Commercial data

Item number	2792895
Packing unit	1 pc
Note	Made to order (non-returnable)
Sales key	AC11
Product key	ACHCCB
GTIN	4017918252373
Weight per piece (including packing)	54.38 g
Weight per piece (excluding packing)	45.988 g
Customs tariff number	85369010
Country of origin	DE

Technical data

Product properties

Housing type	Complete housing
Type	Connection system integrated, housing closed
Number of positions	6
Pitch	5 mm
Number of rows	1
Pin layout	Linear pinning

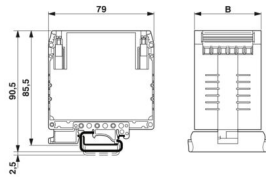
Electrical properties

Nominal voltage U_N	500 V (Voltage and current values are affected by the configuration of the printed circuit board.)
Nominal current I_N	10 A

Connection data

Connection method	Screw connection
-------------------	------------------

Dimensions

Dimensional drawing	
Width	22.5 mm
Height NS 35/7,5	85.5 mm
Depth	79 mm
Length	79 mm
Pitch	5 mm

Material specifications

Color	black (RAL 9005)
Flammability rating according to UL 94	V2
Housing material	PA 6.6

Environmental and real-life conditions

Ambient conditions

Ambient temperature (operation)	-40 °C ... 105 °C
---------------------------------	-------------------

Mounting

Mounting type	Soldering
Pin layout	Linear pinning

UEGM 22,5 BK - Electronics housing

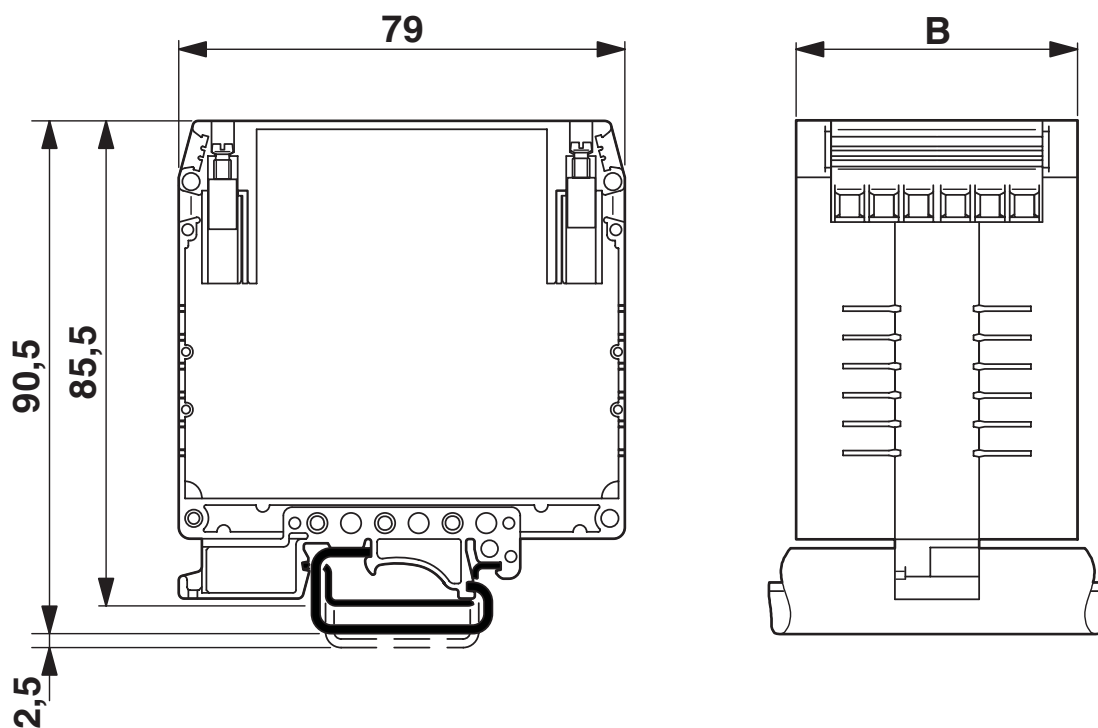
2792895

<https://www.phoenixcontact.com/us/products/2792895>



Drawings

Dimensional drawing



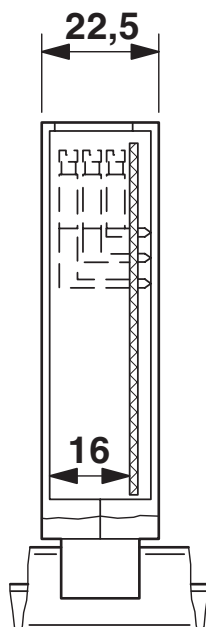
UEGM 22,5 BK - Electronics housing

2792895

<https://www.phoenixcontact.com/us/products/2792895>



Dimensional drawing



UEGM 22,5... with 1 PCB, 6 positions or 12 positions (FS/FS)

UEGM 22,5 BK - Electronics housing

2792895

<https://www.phoenixcontact.com/us/products/2792895>



Dimensional drawing



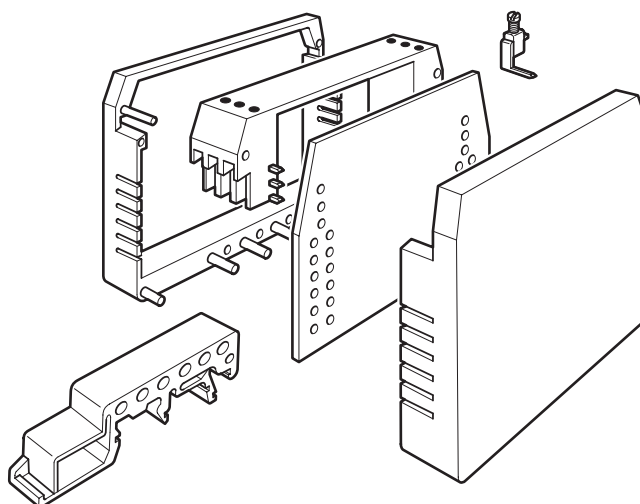
UEGM 22,5 BK - Electronics housing

2792895

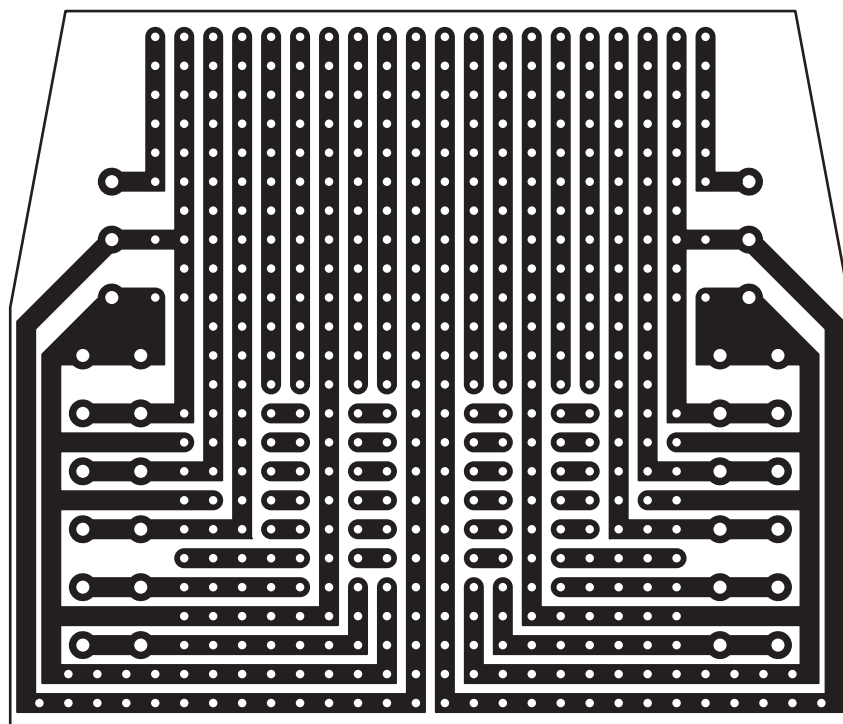
<https://www.phoenixcontact.com/us/products/2792895>



Exploded view



Schematic diagram



UEGM 22,5 BK - Electronics housing

2792895

<https://www.phoenixcontact.com/us/products/2792895>



Classifications

UNSPSC

UNSPSC 21.0	31261500
-------------	----------

Environmental product compliance

EU RoHS

Fulfills EU RoHS substance requirements	Yes, No exemptions
---	--------------------

China RoHS

Environment friendly use period (EFUP)	EFUP-50
	An article-related China RoHS declaration table can be found in the download area for the respective article under "Manufacturer declaration". For all articles with EFUP-E, no China RoHS declaration table issued and required.

EU REACH SVHC

REACH candidate substance (CAS No.)	No substance above 0.1 wt%
-------------------------------------	----------------------------

Phoenix Contact 2026 © - all rights reserved
<https://www.phoenixcontact.com>

Phoenix Contact USA
586 Fulling Mill Road
Middletown, PA 17057, United States
(+717) 944-1300
info@phoenixcon.com