

UEGM 22,5 GY OHNE LOGO - Electronics housing



2792837

<https://www.phoenixcontact.com/us/products/2792837>

Please be informed that the data shown in this PDF document is generated from our online catalog. Please find the complete data in the user documentation. Our general terms of use for downloads are valid.



The figure shows a green version

Electronic housing, for PCB insertion, fully equipped with 3 screw or 6 tab connections per side

Commercial data

Item number	2792837
Packing unit	10 pc
Minimum order quantity	1 pc
Sales key	AC11
Product key	ACHCCB
GTIN	4017918274610
Weight per piece (including packing)	55.58 g
Weight per piece (excluding packing)	55.58 g
Customs tariff number	85369010
Country of origin	DE

2792837

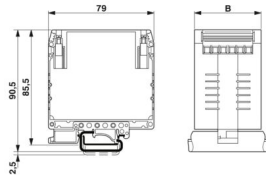
<https://www.phoenixcontact.com/us/products/2792837>

Technical data

Product properties

Product type	Complete housing
Housing type	Component housing
Housing type	Basic housing
Housing series	UEGM
Product family	UEGM 22,5
Type	Connection system integrated, housing closed
Number of positions	6

Dimensions

Dimensional drawing	
Width	22.5 mm
Length	79 mm

Material specifications

Color (Housing)	gray (RAL 7042)
Material Housing	PA
Flammability rating according to UL 94	V0
Surface characteristics	untreated

Environmental and real-life conditions

Ambient conditions

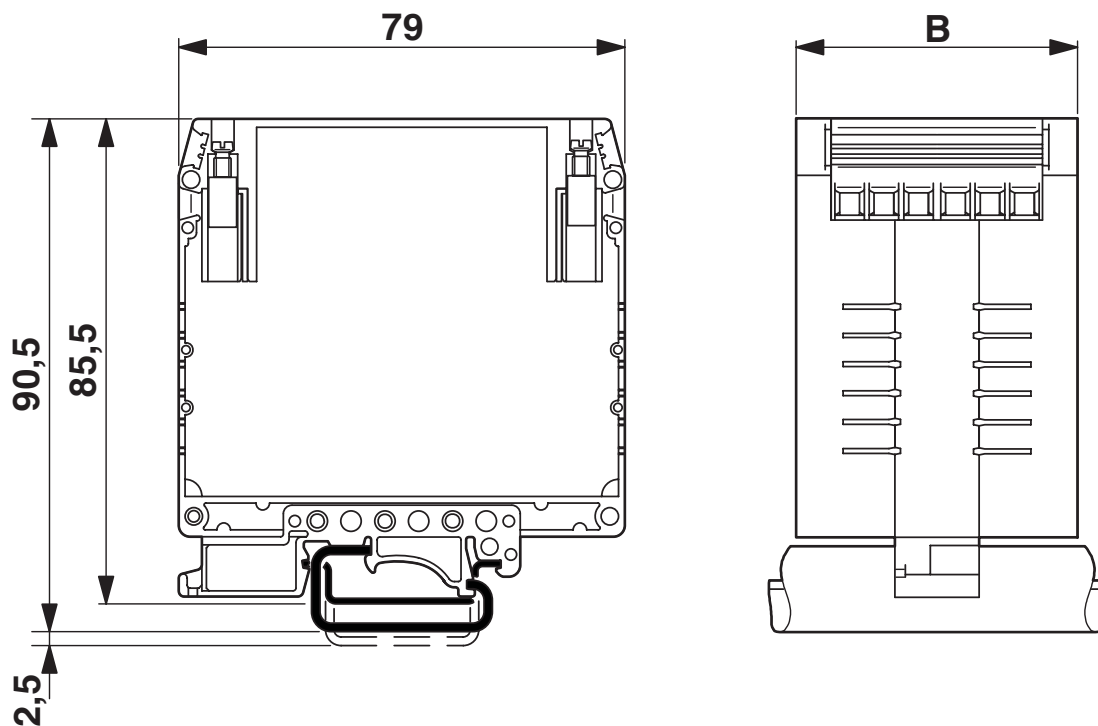
Ambient temperature (operation)	-40 °C ... 105 °C
---------------------------------	-------------------

Mounting

Mounting type	DIN rail mounting
---------------	-------------------

Drawings

Dimensional drawing



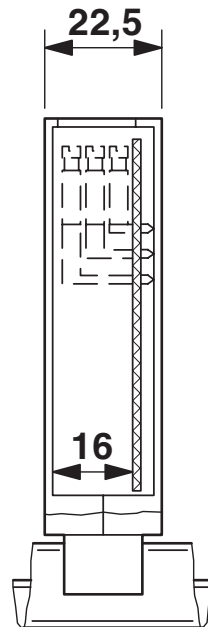
UEGM 22,5 GY OHNE LOGO - Electronics housing

2792837

<https://www.phoenixcontact.com/us/products/2792837>



Dimensional drawing



UEGM 22,5... with 1 PCB, 6 positions or 12 positions (FS/FS)

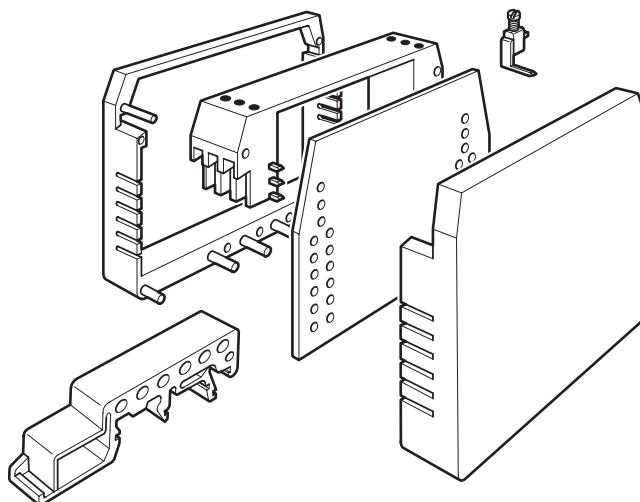
Dimensional drawing



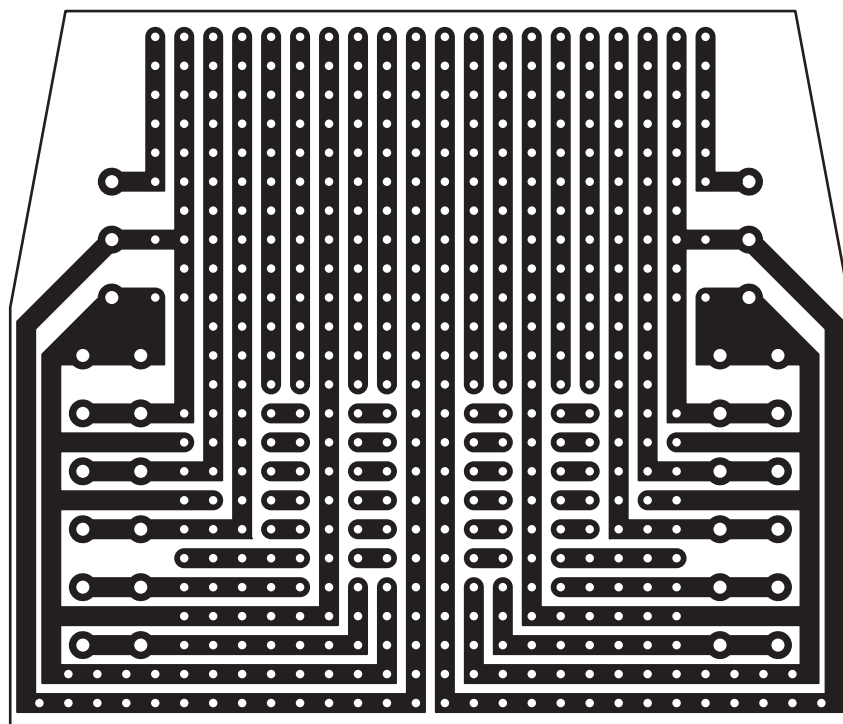
2792837

<https://www.phoenixcontact.com/us/products/2792837>

Exploded view



Schematic diagram




2792837

<https://www.phoenixcontact.com/us/products/2792837>

Approvals

To download certificates, visit the product detail page: <https://www.phoenixcontact.com/us/products/2792837>

 cULus Recognized Approval ID: E60425-19770427		Nominal voltage U_N	Nominal current I_N	Cross section AWG	Cross section mm^2
B		300 V	10 A	30 - 12	-
D		300 V	10 A	30 - 12	-

2792837

<https://www.phoenixcontact.com/us/products/2792837>

Classifications

ECLASS

ECLASS-13.0	27190501
ECLASS-15.0	27190501

ETIM

ETIM 10.0	EC001031
-----------	----------

UNSPSC

UNSPSC 21.0	31261500
-------------	----------

2792837

<https://www.phoenixcontact.com/us/products/2792837>

Environmental product compliance

EU RoHS

Fulfills EU RoHS substance requirements	Yes, No exemptions
---	--------------------

China RoHS

Environment friendly use period (EFUP)	EFUP-E
	No hazardous substances above the limits

EU REACH SVHC

REACH candidate substance (CAS No.)	No substance above 0.1 wt%
-------------------------------------	----------------------------

Phoenix Contact 2026 © - all rights reserved
<https://www.phoenixcontact.com>

Phoenix Contact USA
586 Fulling Mill Road
Middletown, PA 17057, United States
(+717) 944-1300
info@phoenixcon.com