

UEGM 40/2 BK OHNE LOGO - Electronics housing



2792468

<https://www.phoenixcontact.com/us/products/2792468>

Please be informed that the data shown in this PDF document is generated from our online catalog. Please find the complete data in the user documentation. Our general terms of use for downloads are valid.

Electronic housing, fully equipped with 6 screw connections per side for two PCBs



The figure shows a green version

Commercial data

Item number	2792468
Packing unit	1 pc
Note	Made to order (non-returnable)
Sales key	AC11
Product key	ACHCCB
GTIN	4017918242053
Weight per piece (including packing)	79.94 g
Weight per piece (excluding packing)	68.956 g
Customs tariff number	85369010
Country of origin	DE

2792468

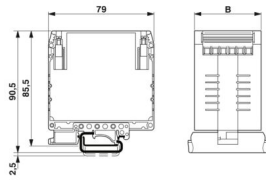
<https://www.phoenixcontact.com/us/products/2792468>

Technical data

Product properties

Housing type	Component housing
Type	Connection system integrated, housing closed
Number of positions	12

Dimensions

Dimensional drawing	
Width	40 mm
Length	79 mm

Material specifications

Color	black (RAL 9005)
Flammability rating according to UL 94	V2
Housing material	PA 6.6

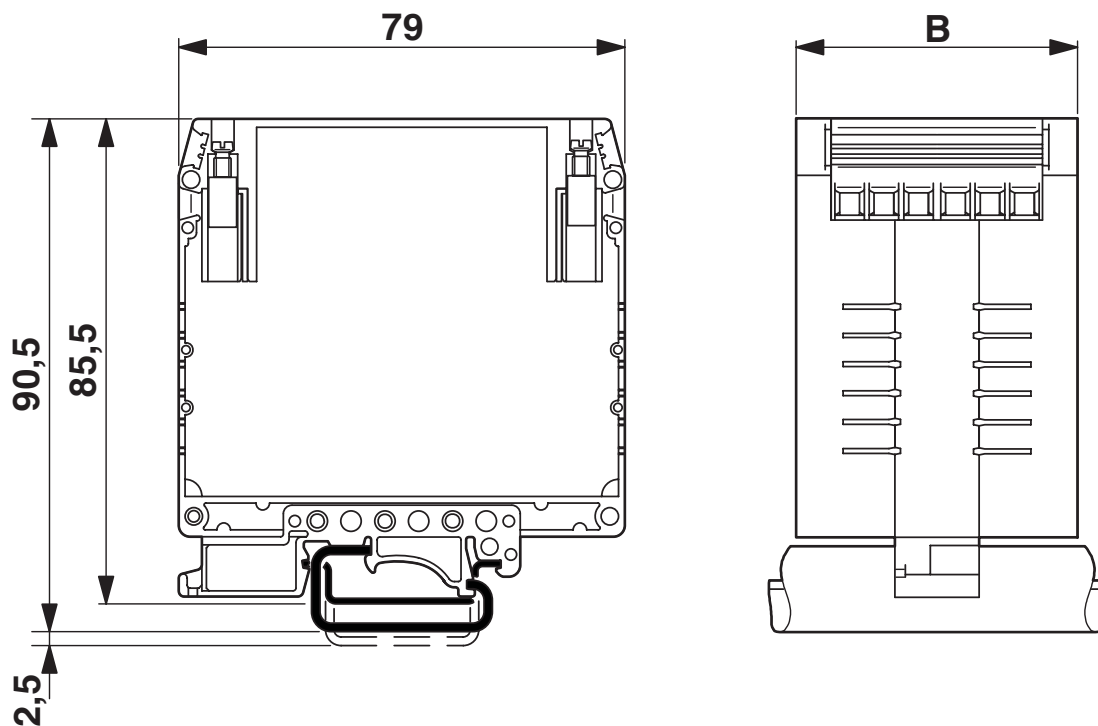
Environmental and real-life conditions

Ambient conditions

Ambient temperature (operation)	-40 °C ... 105 °C
---------------------------------	-------------------

Drawings

Dimensional drawing



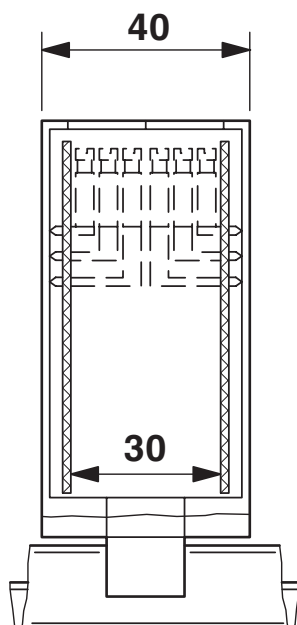
UEGM 40/2 BK OHNE LOGO - Electronics housing

2792468

<https://www.phoenixcontact.com/us/products/2792468>



Dimensional drawing



Dimensional drawing



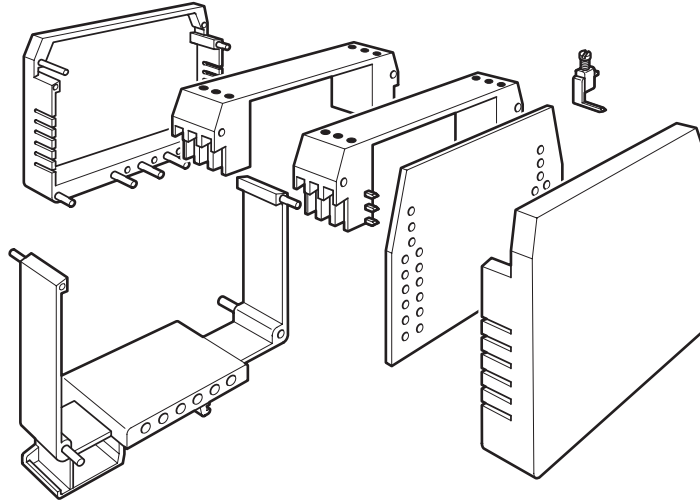
UEGM 40/2 BK OHNE LOGO - Electronics housing



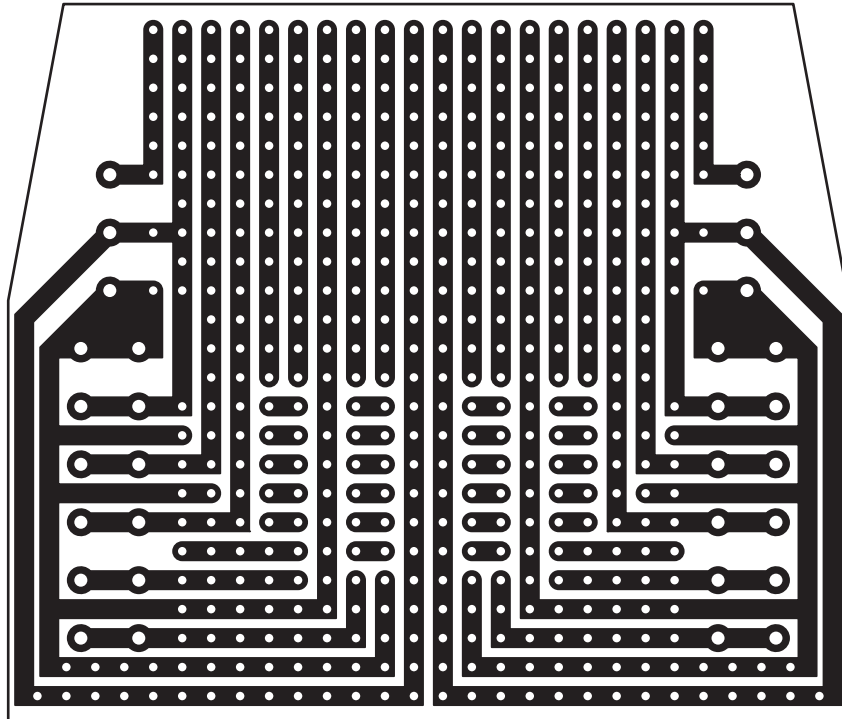
2792468

<https://www.phoenixcontact.com/us/products/2792468>

Exploded view



Schematic diagram



UEGM 40/2 BK OHNE LOGO - Electronics housing



2792468

<https://www.phoenixcontact.com/us/products/2792468>

Classifications

UNSPSC

UNSPSC 21.0	31261500
-------------	----------

2792468

<https://www.phoenixcontact.com/us/products/2792468>

Environmental product compliance

China RoHS

Environment friendly use period (EFUP)	EFUP-50
	An article-related China RoHS declaration table can be found in the download area for the respective article under "Manufacturer declaration". For all articles with EFUP-E, no China RoHS declaration table issued and required.

EU REACH SVHC

REACH candidate substance (CAS No.)	No substance above 0.1 wt%
-------------------------------------	----------------------------

Phoenix Contact 2026 © - all rights reserved
<https://www.phoenixcontact.com>

Phoenix Contact USA
586 Fulling Mill Road
Middletown, PA 17057, United States
(+717) 944-1300
info@phoenixcon.com