

# UEGM 25 GY OHNE LOGO - Electronics housing



2792442

<https://www.phoenixcontact.com/us/products/2792442>

Please be informed that the data shown in this PDF document is generated from our online catalog. Please find the complete data in the user documentation. Our general terms of use for downloads are valid.



The figure shows a green version

Electronic housing, for PCB insertion, fully equipped with 3 screw or 6 tab connections per side

## Commercial data

Item number	2792442
Packing unit	10 pc
Minimum order quantity	10 pc
Note	Made to order (non-returnable)
Product key	ACHCCB
GTIN	4017918365288
Weight per piece (including packing)	55.7 g
Weight per piece (excluding packing)	55.7 g
Country of origin	DE

2792442

<https://www.phoenixcontact.com/us/products/2792442>

## Technical data

### Product properties

Product type	Complete housing
Housing type	Component housing
Housing type	Basic housing
Housing series	UEGM
Product family	UEGM 25
Type	Connection system integrated, housing closed
Number of positions	6
Ventilation openings present	no

### Material specifications

Color (Housing)	gray (RAL 7042)
Material Housing	PA
Flammability rating according to UL 94	V2

### Environmental and real-life conditions

#### Ambient conditions

Ambient temperature (operation)	-40 °C ... 105 °C
---------------------------------	-------------------

### Mounting

Mounting type	DIN rail mounting
---------------	-------------------

# UEGM 25 GY OHNE LOGO - Electronics housing

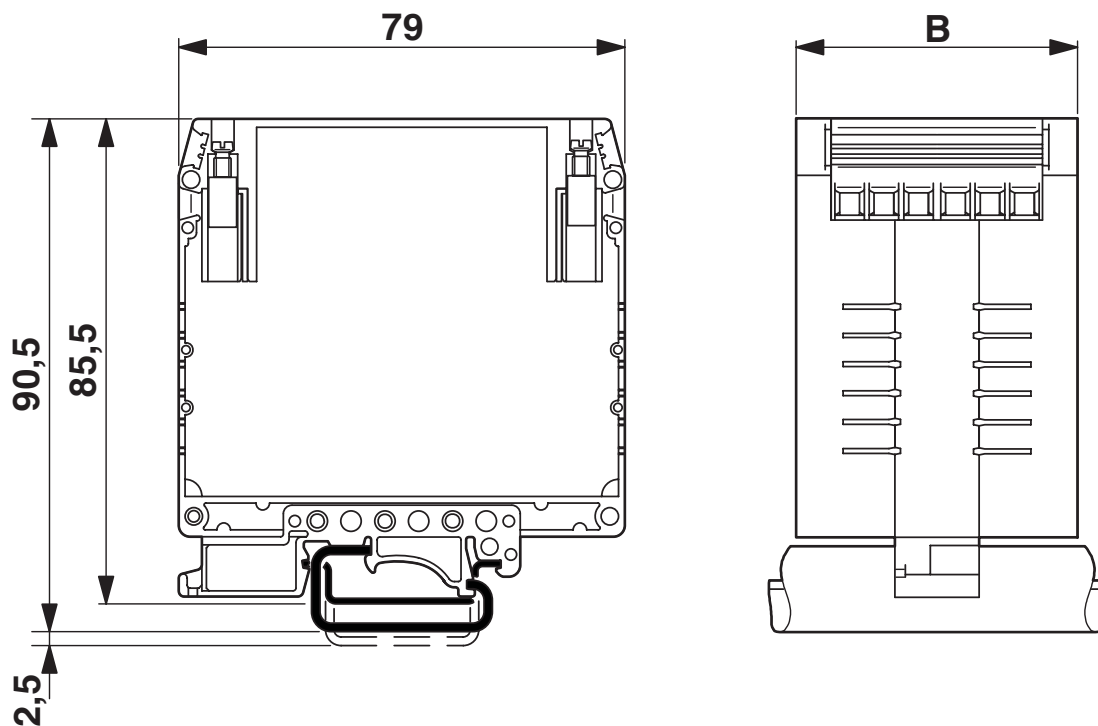


2792442

<https://www.phoenixcontact.com/us/products/2792442>

## Drawings

Dimensional drawing



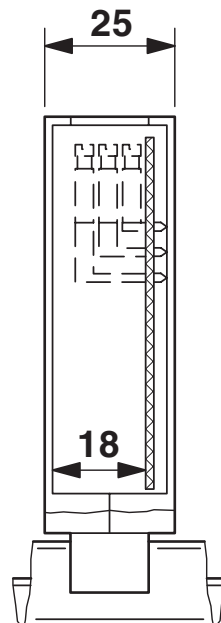
# UEGM 25 GY OHNE LOGO - Electronics housing

2792442

<https://www.phoenixcontact.com/us/products/2792442>



Dimensional drawing



UEGM 25... und UEGM 27,5-SMD with 1 PCB, 6 positions or 12 positions (FS/FS)

Dimensional drawing



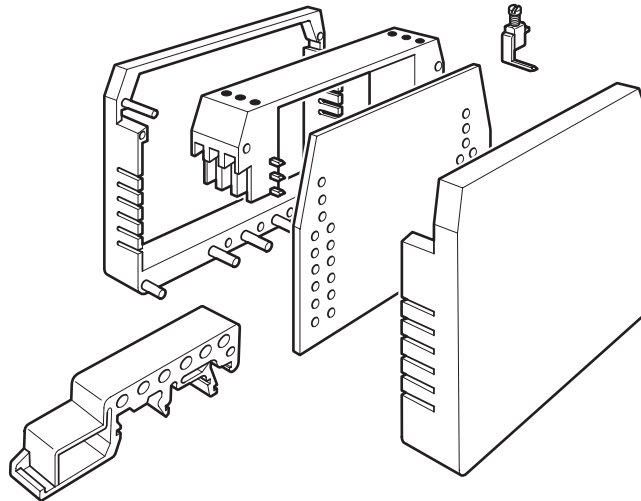
# UEGM 25 GY OHNE LOGO - Electronics housing



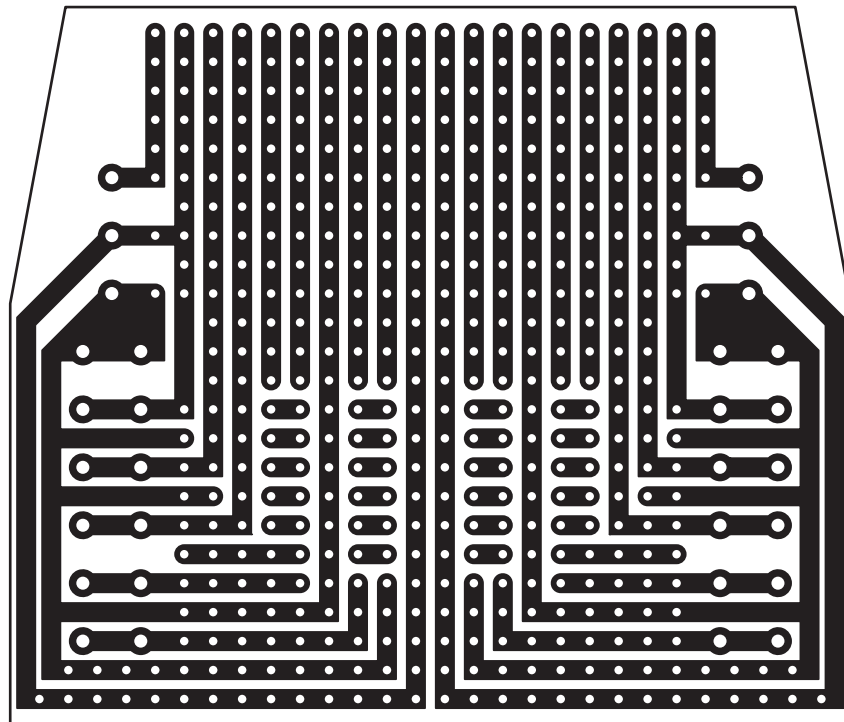
2792442

<https://www.phoenixcontact.com/us/products/2792442>

Exploded view



Schematic diagram



# UEGM 25 GY OHNE LOGO - Electronics housing




2792442

<https://www.phoenixcontact.com/us/products/2792442>

## Approvals

To download certificates, visit the product detail page: <https://www.phoenixcontact.com/us/products/2792442>

 <b>cULus Recognized</b> Approval ID: E60425-19770427		Nominal voltage $U_N$	Nominal current $I_N$	Cross section AWG	Cross section $\text{mm}^2$
B		300 V	10 A	30 - 12	-
D		300 V	10 A	30 - 12	-

# UEGM 25 GY OHNE LOGO - Electronics housing



2792442

<https://www.phoenixcontact.com/us/products/2792442>

## Classifications

### ECLASS

ECLASS-13.0	27190501
ECLASS-15.0	27190501

### ETIM

ETIM 10.0	EC001031
-----------	----------

### UNSPSC

UNSPSC 21.0	31261500
-------------	----------

# UEGM 25 GY OHNE LOGO - Electronics housing



2792442

<https://www.phoenixcontact.com/us/products/2792442>

## Environmental product compliance

### EU RoHS

Fulfills EU RoHS substance requirements	Yes, No exemptions
---	--------------------

### China RoHS

Environment friendly use period (EFUP)	EFUP-E
	No hazardous substances above the limits

### EU REACH SVHC

REACH candidate substance (CAS No.)	No substance above 0.1 wt%
-------------------------------------	----------------------------

Phoenix Contact 2026 © - all rights reserved  
<https://www.phoenixcontact.com>

Phoenix Contact USA  
586 Fulling Mill Road  
Middletown, PA 17057, United States  
(+717) 944-1300  
[info@phoenixcon.com](mailto:info@phoenixcon.com)