

P 1-UEGM - PCB

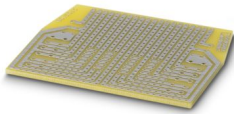


2792109

<https://www.phoenixcontact.com/us/products/2792109>

Please be informed that the data shown in this PDF document is generated from our online catalog. Please find the complete data in the user documentation. Our general terms of use for downloads are valid.

PCB, for screw and slip-on connection, for custom fitting electronic components.



Commercial data

Item number	2792109
Packing unit	10 pc
Minimum order quantity	1 pc
Sales key	AC11
Product key	ACHCCZ
GTIN	4017918072575
Weight per piece (including packing)	13.73 g
Weight per piece (excluding packing)	13.004 g
Customs tariff number	85340019
Country of origin	DE

P 1-UEGM - PCB

2792109

<https://www.phoenixcontact.com/us/products/2792109>



Technical data

Product properties

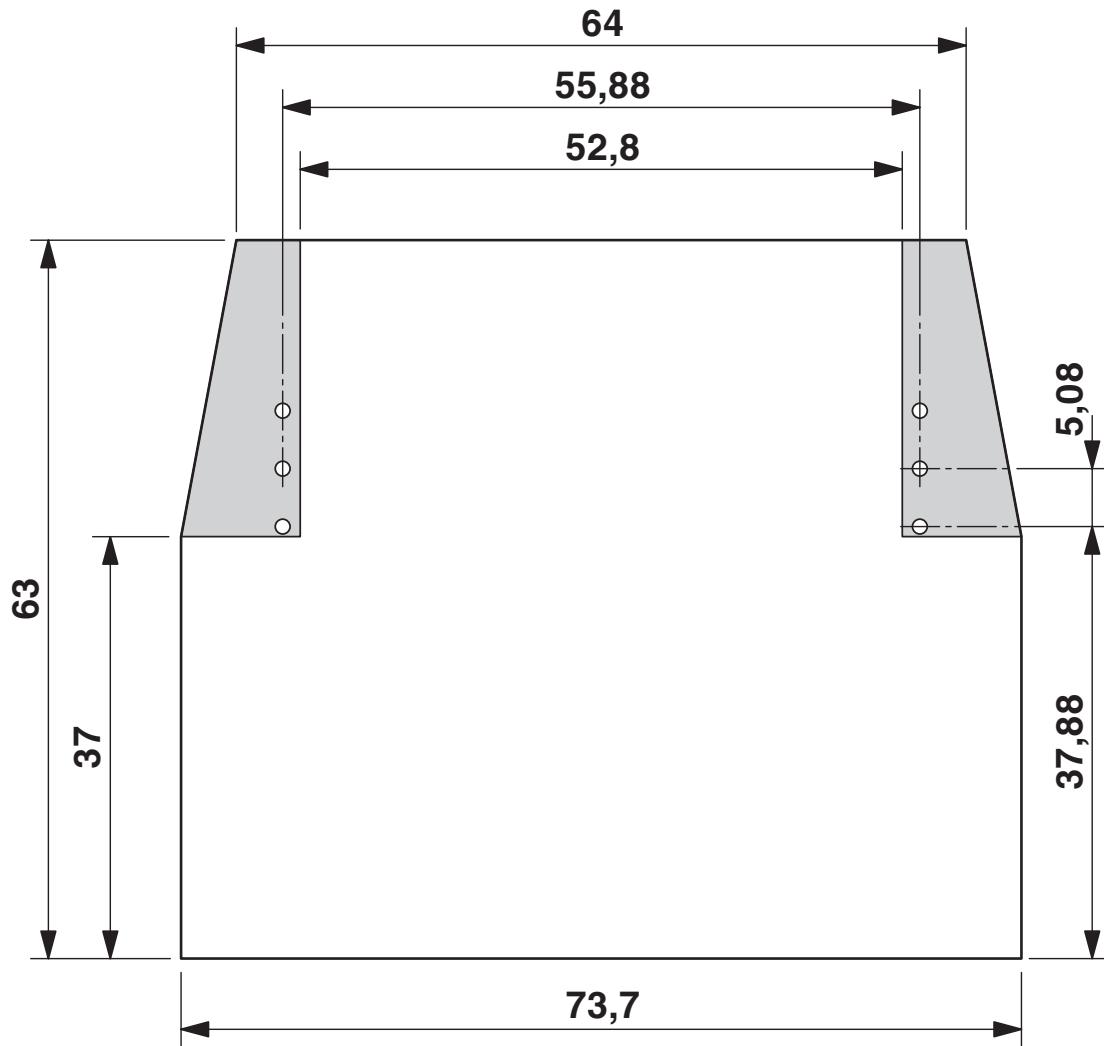
Product type	PCB
Housing series	UEG
Product family	UEGM

Material specifications

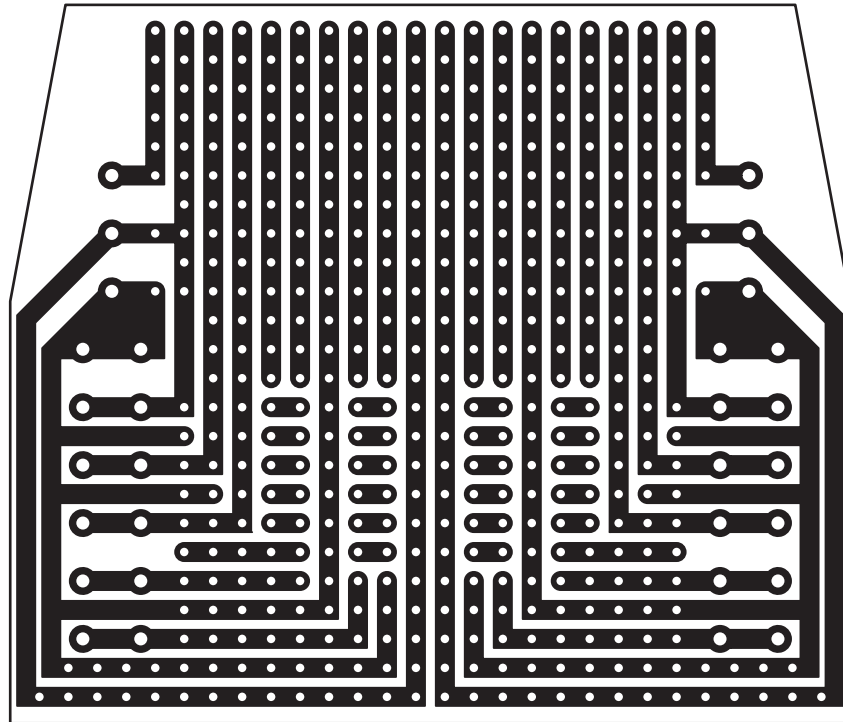
Color (Housing)	green (RAL 6021)
-----------------	------------------

Drawings

Dimensional drawing



Schematic diagram



P 1-UEGM - PCB



2792109

<https://www.phoenixcontact.com/us/products/2792109>

Classifications

ECLASS

ECLASS-13.0	27260692
ECLASS-15.0	27260692

ETIM

ETIM 10.0	EC001031
-----------	----------

UNSPSC

UNSPSC 21.0	31261500
-------------	----------

Environmental product compliance

EU RoHS

Fulfills EU RoHS substance requirements	Yes, No exemptions
---	--------------------

China RoHS

Environment friendly use period (EFUP)	EFUP-E
	No hazardous substances above the limits

EU REACH SVHC

REACH candidate substance (CAS No.)	No substance above 0.1 wt%
-------------------------------------	----------------------------

EF3.1 Climate Change

CO2e kg	0.264 kg CO2e
---------	---------------