

# UEGM 40/2-FS/FS - Electronics housing

2792099

<https://www.phoenixcontact.com/us/products/2792099>

Please be informed that the data shown in this PDF document is generated from our online catalog. Please find the complete data in the user documentation. Our general terms of use for downloads are valid.



Electronic housing, 40 mm wide, fully equipped with 12 slip-on connections per side for two printed circuit boards

The figure shows version UEGM 40/1-FS/FS

## Your advantages

- Efficient assembly thanks to overlapping housing parts
- Cost-effective series production, since the base element and the assembled PCB are soldered by machine
- Snap-on mounting on standard DIN rails NS 35/7.5 or NS 35/15
- Complex electronic circuits can be integrated, with up to 24 connections on two levels

## Commercial data

Item number	2792099
Packing unit	1 pc
Note	Made to order (non-returnable)
Sales key	AC11
Product key	ACHCCB
GTIN	4017918072568
Weight per piece (including packing)	96.78 g
Weight per piece (excluding packing)	67.5 g
Customs tariff number	85369010
Country of origin	DE

## Technical data

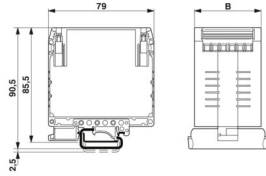
### Product properties

Product type	Complete housing
Housing type	Component housing
Product family	UEGM
Type	Connection system integrated, housing closed
Number of positions	24

### Electrical properties

Nominal voltage $U_N$	500 V (Voltage and current values are affected by the configuration of the printed circuit board.)
Nominal current $I_N$	10 A (6.3 mm slip-on connection)
	8 A (2.8 mm slip-on connection)

### Dimensions

Dimensional drawing	
Width	40 mm
Installed height	85.5 mm
Height NS 35/7,5	85.5 mm
Depth	101 mm
Length	101 mm

### Material specifications

Color	green
Flammability rating according to UL 94	V2
Housing material	PA 6.6

### Environmental and real-life conditions

#### Ambient conditions

Ambient temperature (operation)	-40 °C ... 105 °C
---------------------------------	-------------------

### Mounting

Mounting type	DIN rail mounting
---------------	-------------------

# UEGM 40/2-FS/FS - Electronics housing

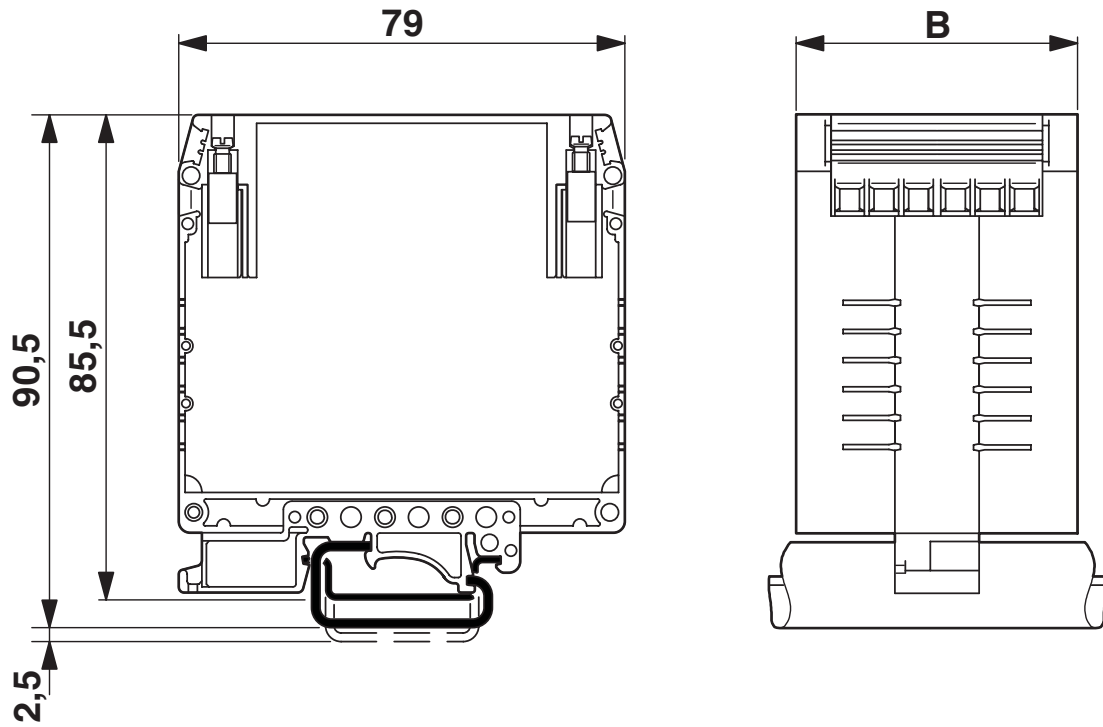
2792099

<https://www.phoenixcontact.com/us/products/2792099>



## Drawings

Dimensional drawing



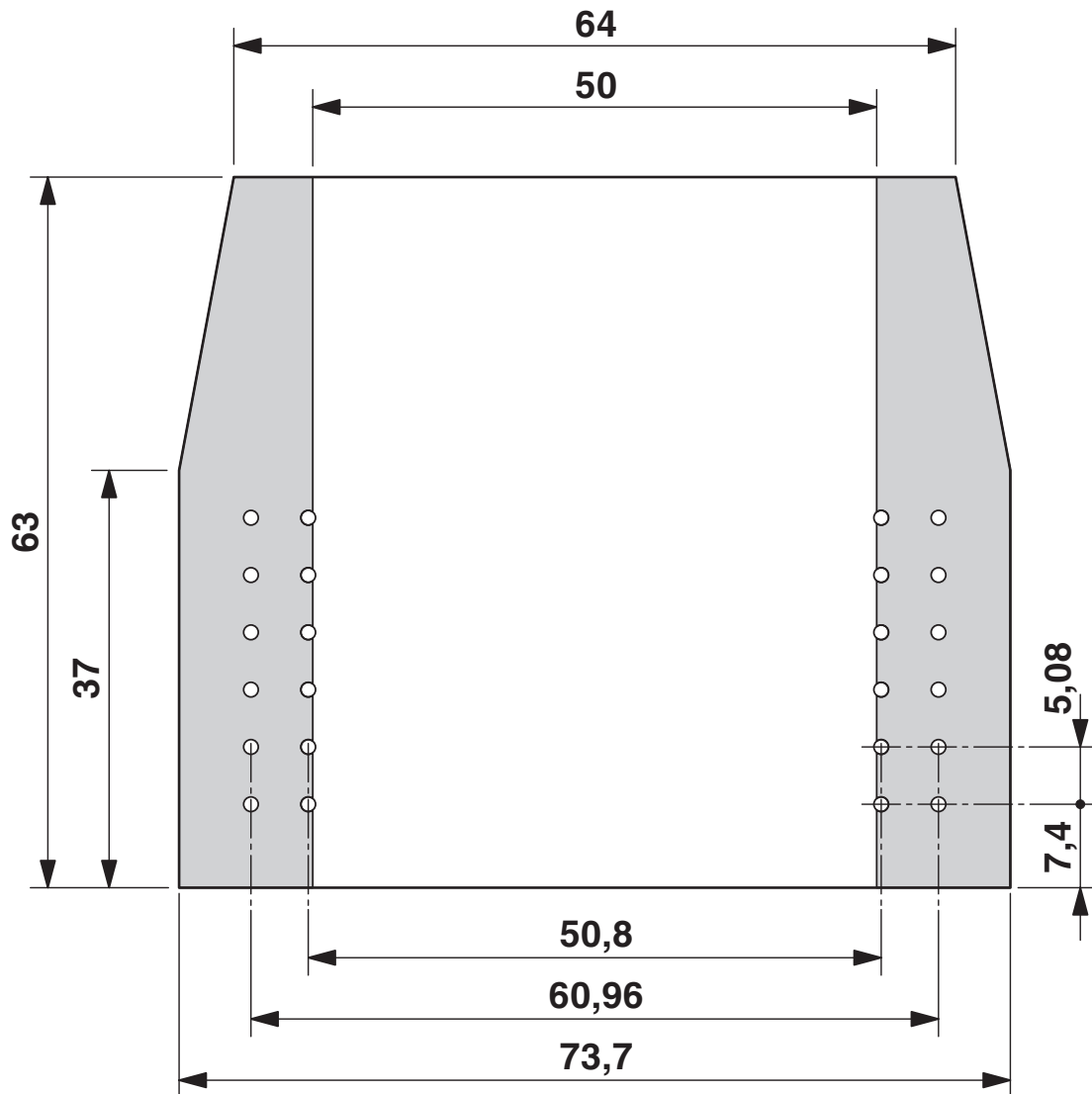
# UEGM 40/2-FS/FS - Electronics housing



2792099

<https://www.phoenixcontact.com/us/products/2792099>

Dimensional drawing



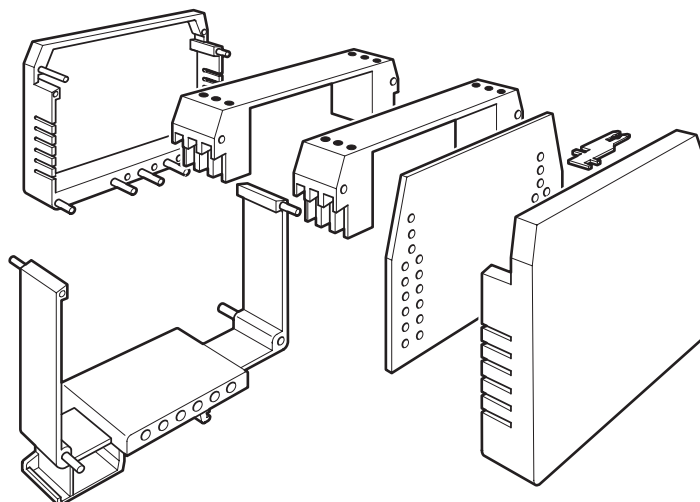
# UEGM 40/2-FS/FS - Electronics housing

2792099

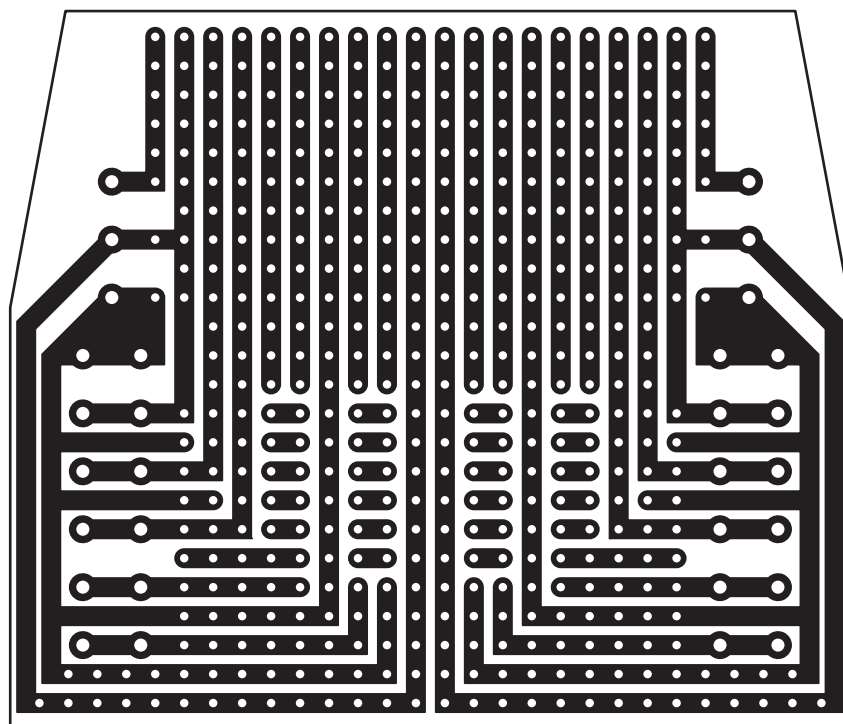
<https://www.phoenixcontact.com/us/products/2792099>



Exploded view



Schematic diagram



# UEGM 40/2-FS/FS - Electronics housing



2792099

<https://www.phoenixcontact.com/us/products/2792099>

## Environmental product compliance

### EU RoHS

Fulfills EU RoHS substance requirements	Yes, No exemptions
---	--------------------

### China RoHS

Environment friendly use period (EFUP)	EFUP-E
	No hazardous substances above the limits

### EU REACH SVHC

REACH candidate substance (CAS No.)	No substance above 0.1 wt%
-------------------------------------	----------------------------

Phoenix Contact 2026 © - all rights reserved  
<https://www.phoenixcontact.com>

Phoenix Contact USA  
586 Fulling Mill Road  
Middletown, PA 17057, United States  
(+717) 944-1300  
[info@phoenixcon.com](mailto:info@phoenixcon.com)