

# UEGM 22,5-FS/FS - Electronics housing



2792073

<https://www.phoenixcontact.com/us/products/2792073>

Please be informed that the data shown in this PDF document is generated from our online catalog. Please find the complete data in the user documentation. Our general terms of use for downloads are valid.

Electronic housing, for PCB insertion, fully equipped with 3 screw or 6 tab connections per side



## Your advantages

- Efficient assembly thanks to overlapping housing parts
- Cost-effective series production, since the base element and the assembled PCB are soldered by machine
- Snap-on mounting on standard DIN rails NS 35/7.5 or NS 35/15
- Complex electronic circuits can be integrated, with up to 24 connections on two levels

## Commercial data

Item number	2792073
Packing unit	1 pc
Minimum order quantity	1 pc
Note	Made to order (non-returnable)
Sales key	AC11
Product key	ACHCCB
GTIN	4017918072544
Weight per piece (including packing)	61.85 g
Weight per piece (excluding packing)	48.06 g
Customs tariff number	85369010
Country of origin	DE

## Technical data

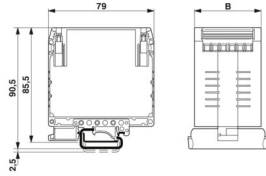
### Product properties

Product type	Complete housing
Housing type	Component housing
Product family	UEGM
Type	Connection system integrated, housing closed
Number of positions	12

### Electrical properties

Nominal voltage $U_N$	500 V (Voltage and current values are affected by the configuration of the printed circuit board.)
Nominal current $I_N$	10 A (6.3 mm slip-on connection)
	8 A (2.8 mm slip-on connection)

### Dimensions

Dimensional drawing	
Width	22.5 mm
Installed height	85.5 mm
Height NS 35/7,5	85.5 mm
Depth	101 mm
Length	101 mm

### Material specifications

Color	green
Flammability rating according to UL 94	V0
Housing material	PA 6.6

### Environmental and real-life conditions

#### Ambient conditions

Ambient temperature (operation)	-40 °C ... 105 °C
---------------------------------	-------------------

### Mounting

Mounting type	DIN rail mounting
---------------	-------------------

# UEGM 22,5-FS/FS - Electronics housing

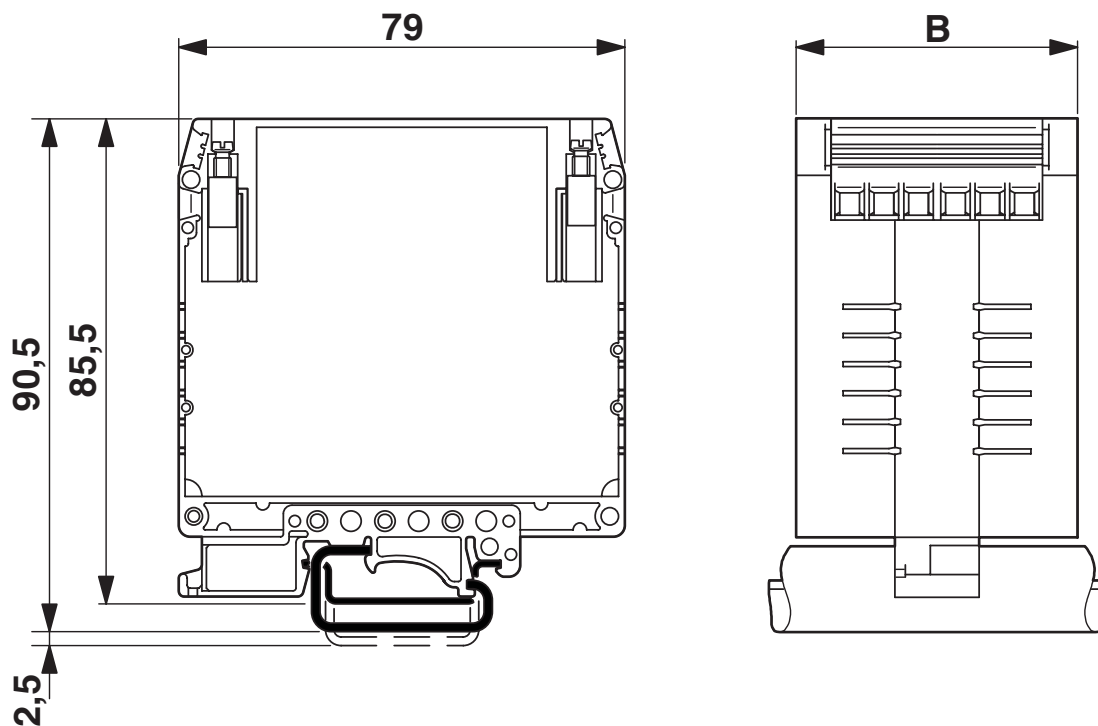
2792073

<https://www.phoenixcontact.com/us/products/2792073>

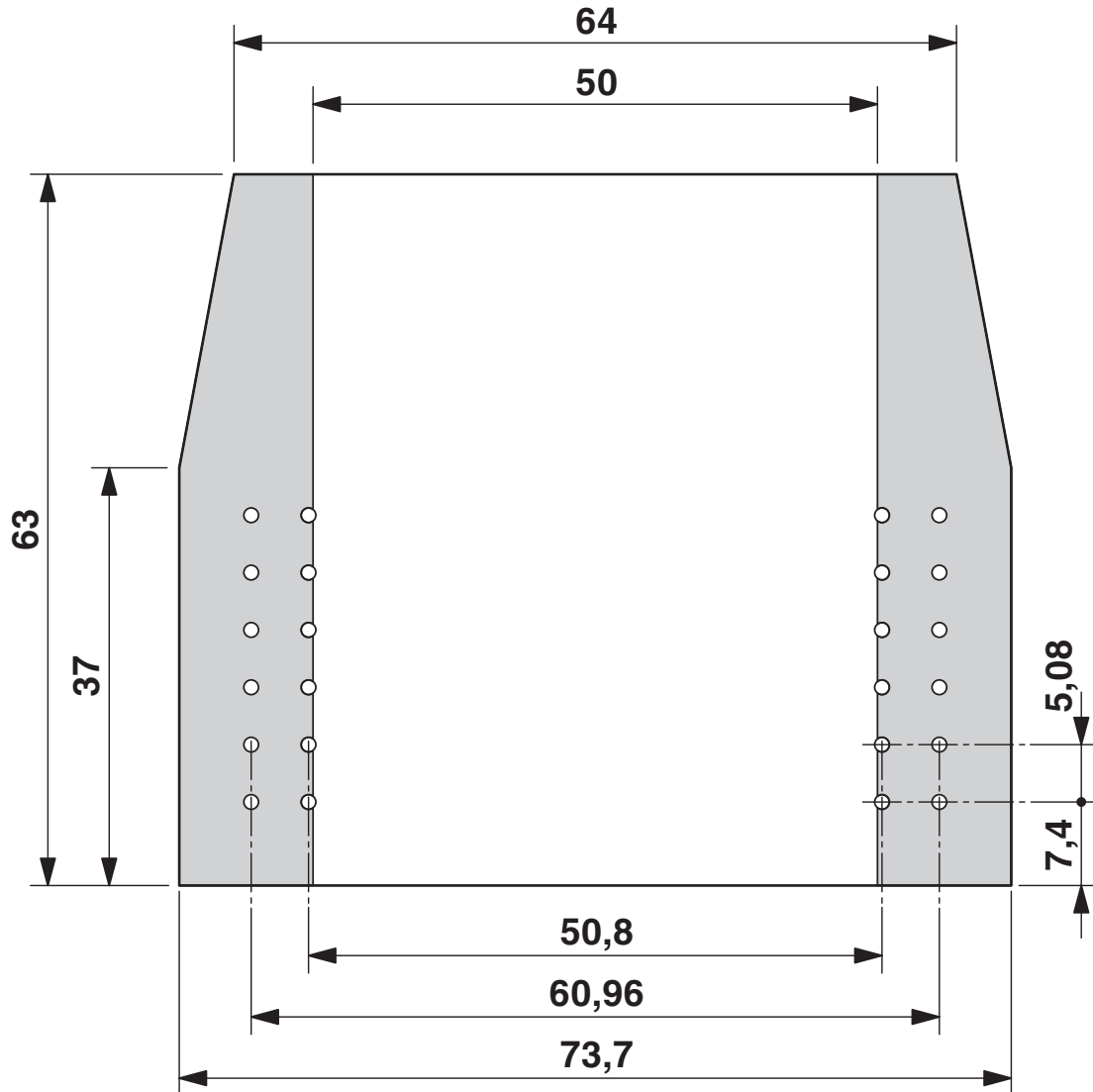


## Drawings

Dimensional drawing



Dimensional drawing

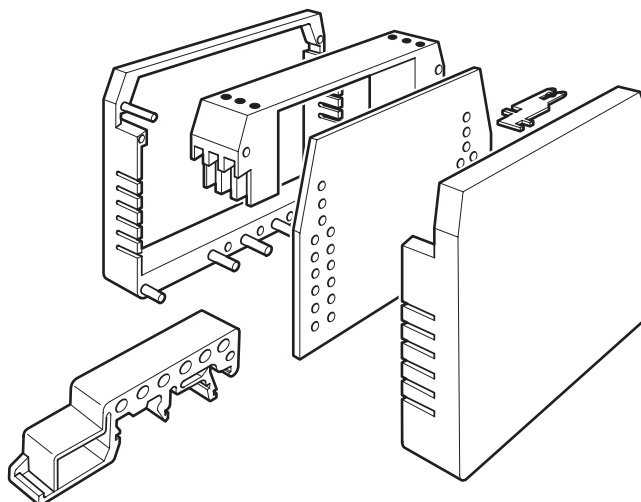


# UEGM 22,5-FS/FS - Electronics housing

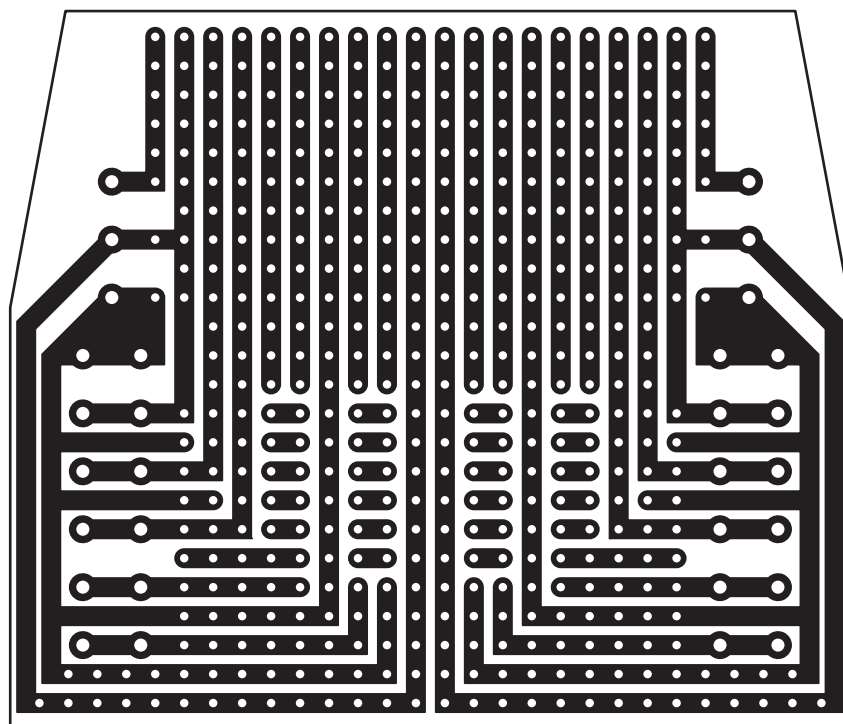
2792073

<https://www.phoenixcontact.com/us/products/2792073>

Exploded view



Schematic diagram



# UEGM 22,5-FS/FS - Electronics housing



2792073

<https://www.phoenixcontact.com/us/products/2792073>

## Classifications

### UNSPSC

UNSPSC 21.0	31261500
-------------	----------

# UEGM 22,5-FS/FS - Electronics housing



2792073

<https://www.phoenixcontact.com/us/products/2792073>

## Environmental product compliance

### EU RoHS

Fulfills EU RoHS substance requirements	Yes, No exemptions
---	--------------------

### China RoHS

Environment friendly use period (EFUP)	EFUP-E
	No hazardous substances above the limits

### EU REACH SVHC

REACH candidate substance (CAS No.)	No substance above 0.1 wt%
-------------------------------------	----------------------------

Phoenix Contact 2026 © - all rights reserved  
<https://www.phoenixcontact.com>

Phoenix Contact USA  
586 Fulling Mill Road  
Middletown, PA 17057, United States  
(+717) 944-1300  
[info@phoenixcon.com](mailto:info@phoenixcon.com)