

UEGM 40/2 - Electronics housing

2792028

<https://www.phoenixcontact.com/us/products/2792028>

Please be informed that the data shown in this PDF document is generated from our online catalog. Please find the complete data in the user documentation. Our general terms of use for downloads are valid.

Electronic housing, fully equipped with 6 screw connections per side for two PCBs



Commercial data

| | |
|--------------------------------------|---------------|
| Item number | 2792028 |
| Packing unit | 10 pc |
| Minimum order quantity | 1 pc |
| Sales key | AC11 |
| Product key | ACHCCB |
| GTIN | 4017918072537 |
| Weight per piece (including packing) | 80.13 g |
| Weight per piece (excluding packing) | 80.13 g |
| Customs tariff number | 85369010 |
| Country of origin | DE |

Technical data

Product properties

| | |
|------------------------------|--|
| Product type | Complete housing |
| Housing type | Component housing |
| Housing type | Basic housing |
| Housing series | UEGM |
| Product family | UEGM 40 |
| Type | Connection system integrated, housing closed |
| Number of positions | 12 |
| Pitch | 5 mm |
| Number of rows | 1 |
| Ventilation openings present | no |
| Pin layout | Linear pinning |

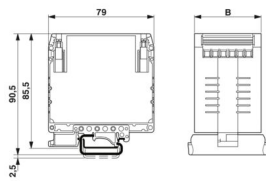
Electrical properties

| | |
|-----------------------|--|
| Nominal voltage U_N | 500 V (Voltage and current values are affected by the configuration of the printed circuit board.) |
| Nominal current I_N | 10 A |

Connection data

| | |
|-------------------|------------------|
| Connection method | Screw connection |
|-------------------|------------------|

Dimensions

| | |
|---------------------|--|
| Dimensional drawing |  |
| Width | 40 mm |
| Installed height | 85.5 mm |
| Height NS 35/7,5 | 85.5 mm |
| Depth | 79 mm |
| Length | 79 mm |
| Pitch | 5 mm |

Material specifications

| | |
|--|------------------|
| Color (Housing) | green (RAL 6021) |
| Material Housing | PA |
| Flammability rating according to UL 94 | V2 |

Environmental and real-life conditions

UEGM 40/2 - Electronics housing



2792028

<https://www.phoenixcontact.com/us/products/2792028>

Ambient conditions

| | |
|---------------------------------|-------------------|
| Ambient temperature (operation) | -40 °C ... 105 °C |
|---------------------------------|-------------------|

Mounting

| | |
|---------------|-------------------|
| Mounting type | DIN rail mounting |
| Pin layout | Linear pinning |

UEGM 40/2 - Electronics housing

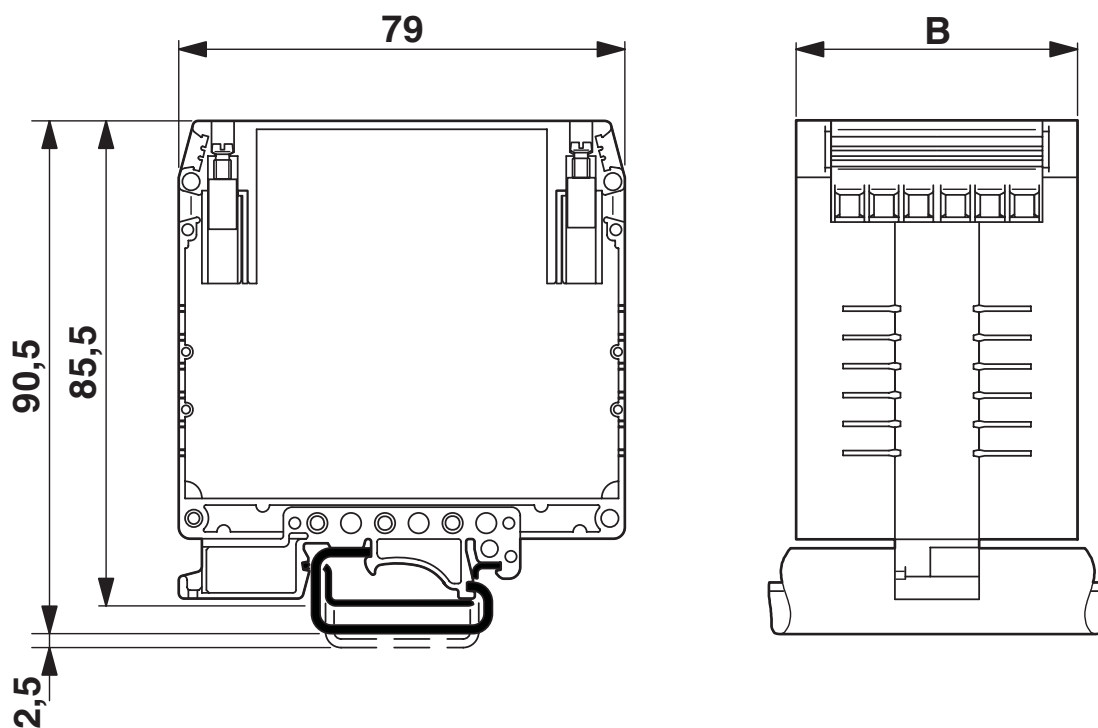
2792028

<https://www.phoenixcontact.com/us/products/2792028>



Drawings

Dimensional drawing



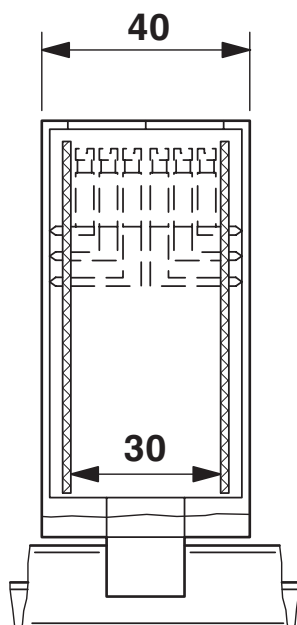
UEGM 40/2 - Electronics housing

2792028

<https://www.phoenixcontact.com/us/products/2792028>



Dimensional drawing



Dimensional drawing



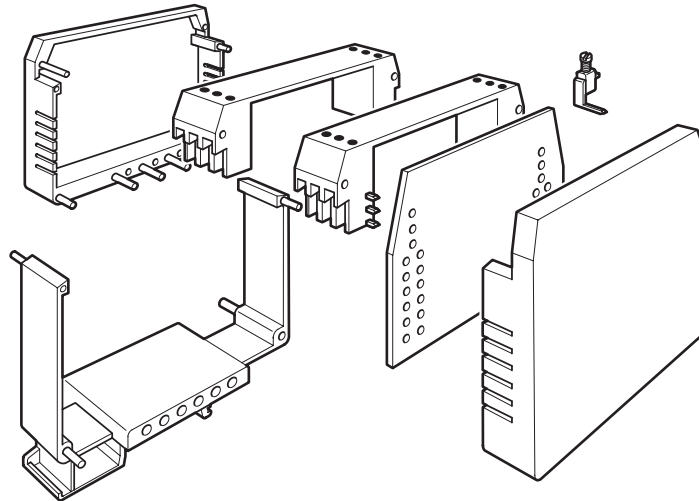
UEGM 40/2 - Electronics housing

2792028

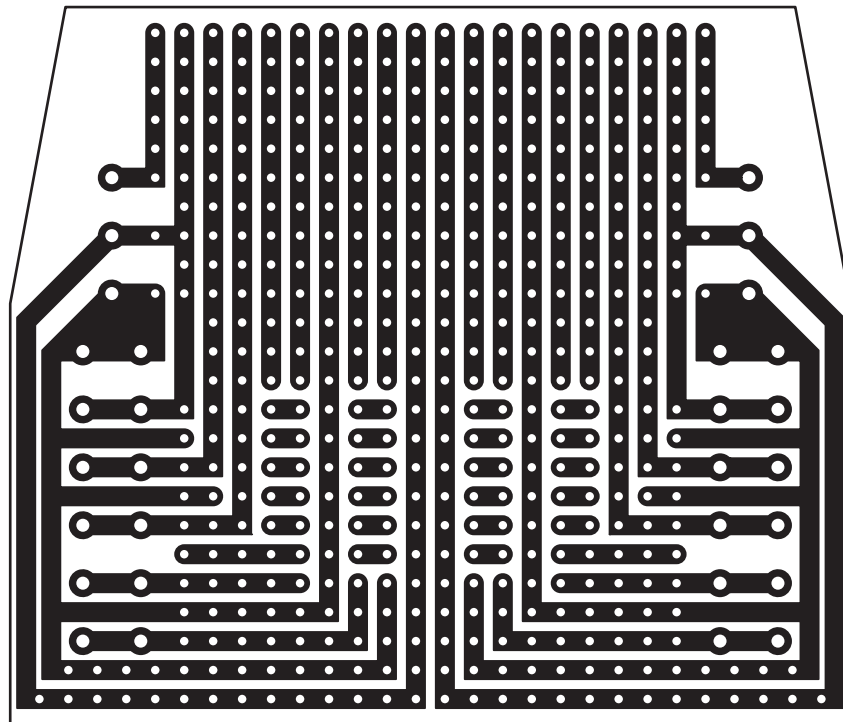
<https://www.phoenixcontact.com/us/products/2792028>



Exploded view



Schematic diagram



UEGM 40/2 - Electronics housing




2792028

<https://www.phoenixcontact.com/us/products/2792028>

Approvals

To download certificates, visit the product detail page: <https://www.phoenixcontact.com/us/products/2792028>

|  cULus Recognized Approval ID: E60425-19770427 | | Nominal voltage U_N | Nominal current I_N | Cross section AWG | Cross section mm^2 |
|---|--|-----------------------|-----------------------|-------------------|-----------------------------|
| keine | | 300 V | 10 A | 30 - 12 | - |

UEGM 40/2 - Electronics housing

2792028

<https://www.phoenixcontact.com/us/products/2792028>



Classifications

ECLASS

| | |
|-------------|----------|
| ECLASS-13.0 | 27190501 |
| ECLASS-15.0 | 27190501 |

ETIM

| | |
|-----------|----------|
| ETIM 10.0 | EC001031 |
|-----------|----------|

UNSPSC

| | |
|-------------|----------|
| UNSPSC 21.0 | 31261500 |
|-------------|----------|

UEGM 40/2 - Electronics housing



2792028

<https://www.phoenixcontact.com/us/products/2792028>

Environmental product compliance

EU RoHS

| | |
|---|--------------------|
| Fulfills EU RoHS substance requirements | Yes, No exemptions |
|---|--------------------|

China RoHS

| | |
|--|--|
| Environment friendly use period (EFUP) | EFUP-E |
| | No hazardous substances above the limits |

EU REACH SVHC

| | |
|-------------------------------------|----------------------------|
| REACH candidate substance (CAS No.) | No substance above 0.1 wt% |
|-------------------------------------|----------------------------|

Phoenix Contact 2026 © - all rights reserved
<https://www.phoenixcontact.com>

Phoenix Contact USA
586 Fulling Mill Road
Middletown, PA 17057, United States
(+717) 944-1300
info@phoenixcon.com