

UEGM 25 - Electronics housing

2792015

<https://www.phoenixcontact.com/us/products/2792015>

Please be informed that the data shown in this PDF document is generated from our online catalog. Please find the complete data in the user documentation. Our general terms of use for downloads are valid.



Electronic housing, for PCB insertion, fully equipped with 3 screw or 6 tab connections per side

The figure shows version UEGM 22.
5

Commercial data

Item number	2792015
Packing unit	10 pc
Minimum order quantity	1 pc
Sales key	AC11
Product key	ACHCCB
GTIN	4017918072520
Weight per piece (including packing)	57.2 g
Weight per piece (excluding packing)	57.2 g
Customs tariff number	85369010
Country of origin	DE

Technical data

Product properties

Product type	Complete housing
Housing type	Component housing
Housing type	Basic housing
Housing series	UEGM
Product family	UEGM 25
Type	Connection system integrated, housing closed
Number of positions	6
Pitch	5 mm
Number of rows	1
Ventilation openings present	no
Pin layout	Linear pinning

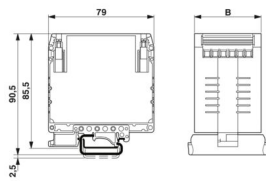
Electrical properties

Nominal voltage U_N	500 V (Voltage and current values are affected by the configuration of the printed circuit board.)
Nominal current I_N	10 A

Connection data

Connection method	Screw connection
-------------------	------------------

Dimensions

Dimensional drawing	
Width	25 mm
Installed height	85.5 mm
Height NS 35/7,5	85.5 mm
Depth	79 mm
Length	79 mm
Pitch	5 mm

Material specifications

Color (Housing)	green (RAL 6021)
Material Housing	PA
Flammability rating according to UL 94	V2

Environmental and real-life conditions

UEGM 25 - Electronics housing



2792015

<https://www.phoenixcontact.com/us/products/2792015>

Ambient conditions

Ambient temperature (operation)	-40 °C ... 105 °C
---------------------------------	-------------------

Mounting

Mounting type	DIN rail mounting
Pin layout	Linear pinning

UEGM 25 - Electronics housing

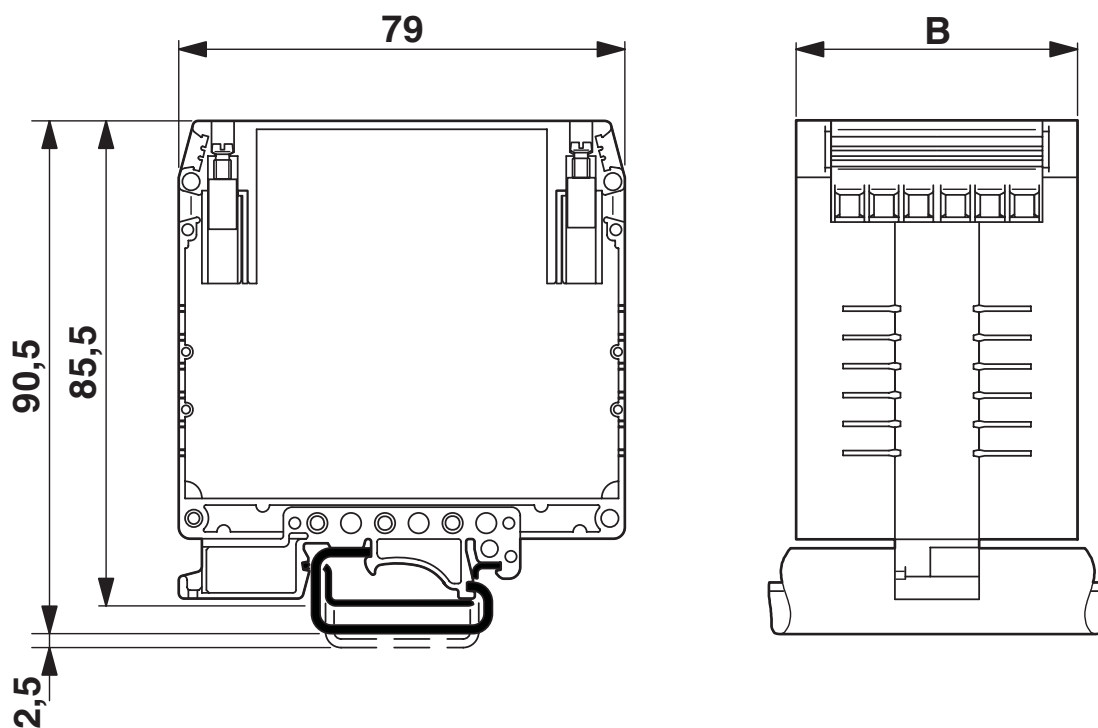
2792015

<https://www.phoenixcontact.com/us/products/2792015>



Drawings

Dimensional drawing



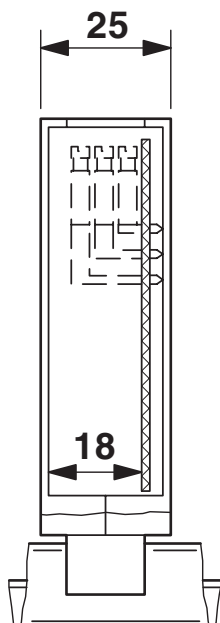
UEGM 25 - Electronics housing

2792015

<https://www.phoenixcontact.com/us/products/2792015>

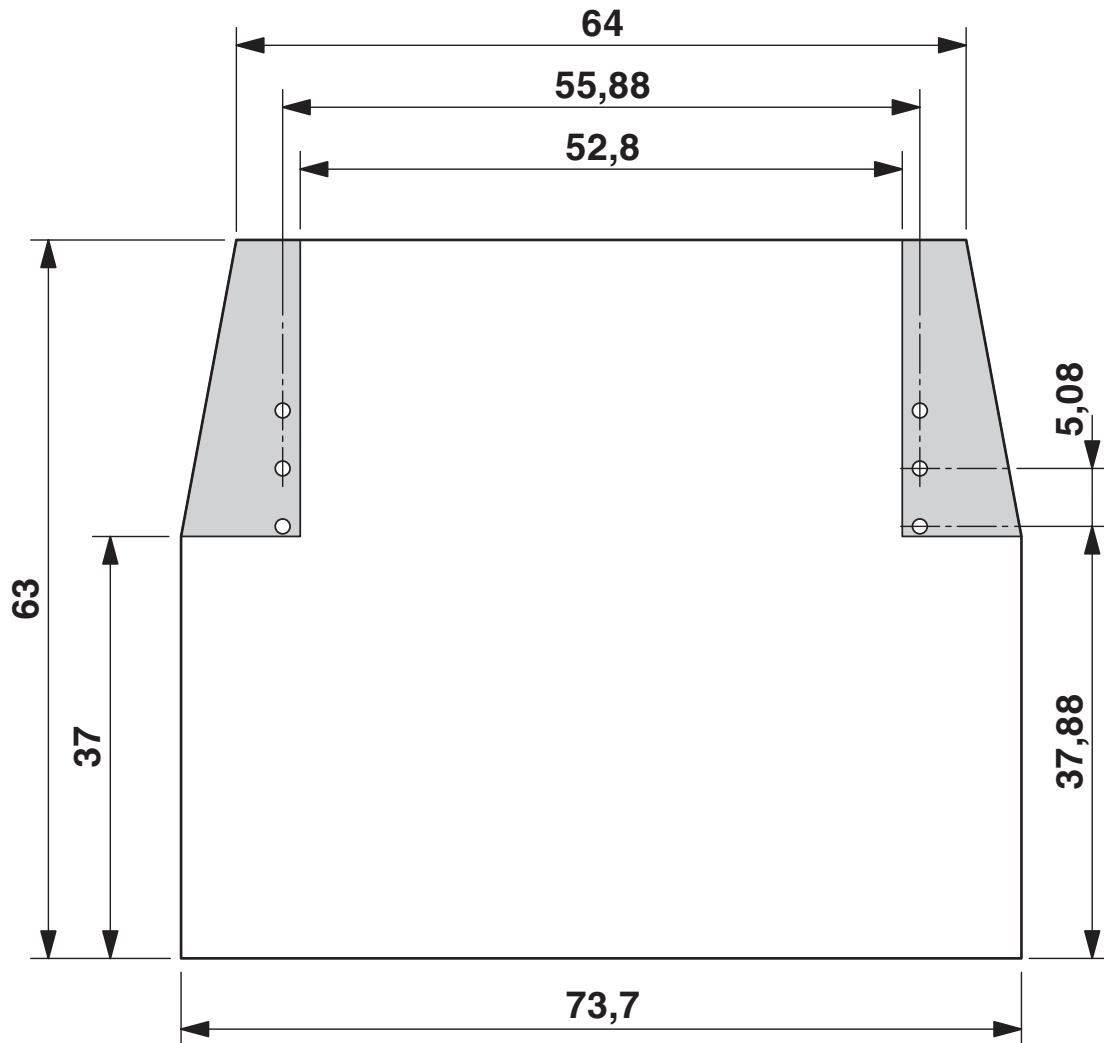


Dimensional drawing



UEGM 25... und UEGM 27,5-SMD with 1 PCB, 6 positions or 12 positions (FS/FS)

Dimensional drawing



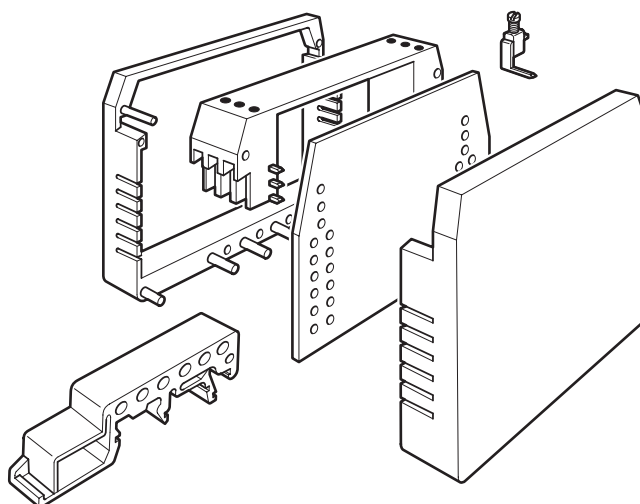
UEGM 25 - Electronics housing

2792015

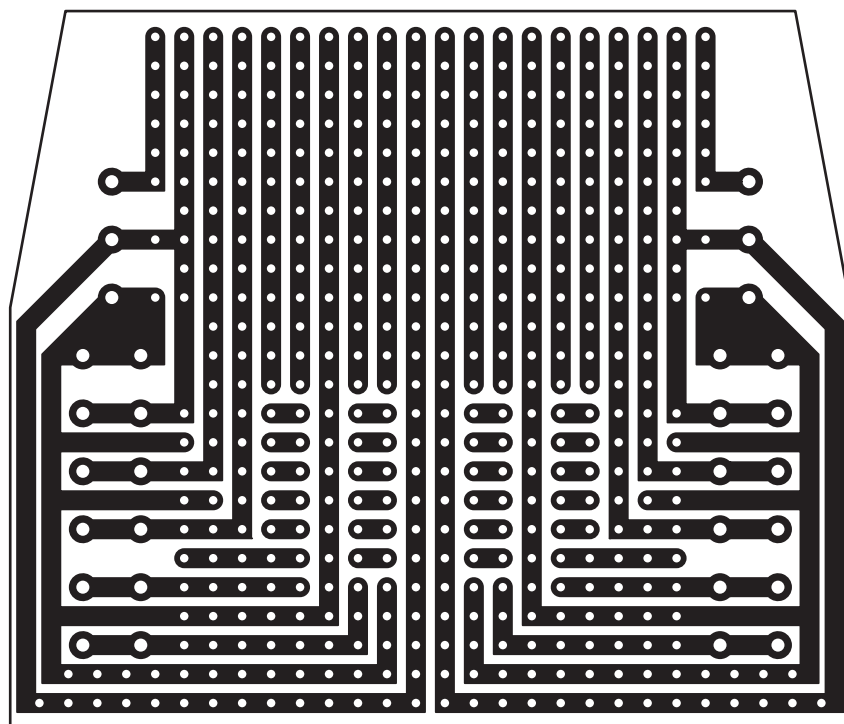
<https://www.phoenixcontact.com/us/products/2792015>



Exploded view



Schematic diagram



UEGM 25 - Electronics housing




2792015

<https://www.phoenixcontact.com/us/products/2792015>

Approvals

To download certificates, visit the product detail page: <https://www.phoenixcontact.com/us/products/2792015>

 cULus Recognized Approval ID: E60425-19770427		Nominal voltage U_N	Nominal current I_N	Cross section AWG	Cross section mm^2
B		300 V	10 A	30 - 12	-
D		300 V	10 A	30 - 12	-

UEGM 25 - Electronics housing

2792015

<https://www.phoenixcontact.com/us/products/2792015>



Classifications

ECLASS

ECLASS-13.0	27190501
ECLASS-15.0	27190501

ETIM

ETIM 10.0	EC001031
-----------	----------

UNSPSC

UNSPSC 21.0	31261500
-------------	----------

UEGM 25 - Electronics housing



2792015

<https://www.phoenixcontact.com/us/products/2792015>

Environmental product compliance

EU RoHS

Fulfills EU RoHS substance requirements	Yes, No exemptions
---	--------------------

China RoHS

Environment friendly use period (EFUP)	EFUP-E
	No hazardous substances above the limits

EU REACH SVHC

REACH candidate substance (CAS No.)	No substance above 0.1 wt%
-------------------------------------	----------------------------

Phoenix Contact 2026 © - all rights reserved
<https://www.phoenixcontact.com>

Phoenix Contact USA
586 Fulling Mill Road
Middletown, PA 17057, United States
(+717) 944-1300
info@phoenixcon.com