

# UEG 20 GY - Electronics housing

2790936

<https://www.phoenixcontact.com/us/products/2790936>

Please be informed that the data shown in this PDF document is generated from our online catalog. Please find the complete data in the user documentation. Our general terms of use for downloads are valid.



Electronic housing, for PCB insertion, fully equipped with 4 screw or tab connections per side

The figure shows a green version

## Commercial data

Item number	2790936
Packing unit	10 pc
Minimum order quantity	10 pc
Note	Made to order (non-returnable)
Product key	ACHCCA
GTIN	4017918274412
Weight per piece (including packing)	46.46 g
Weight per piece (excluding packing)	38.768 g
Country of origin	DE

## Technical data

### Product properties

Housing type	Complete housing
Type	Connection system integrated, housing closed
Number of positions	8
Pitch	5 mm
Number of rows	2
Pin layout	Linear pinning

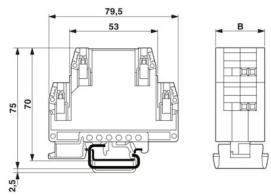
### Electrical properties

Nominal voltage $U_N$	500 V (Voltage and current values are affected by the configuration of the printed circuit board.)
Nominal current $I_N$	10 A

### Connection data

Connection method	Screw connection
-------------------	------------------

### Dimensions

Dimensional drawing	
Width	20 mm
Height NS 35/7,5	70 mm
Depth	79.5 mm
Length	79.5 mm
Pitch	5 mm

### Material specifications

Color	gray
Flammability rating according to UL 94	V2
Housing material	PA 6.6

### Environmental and real-life conditions

#### Ambient conditions

Ambient temperature (operation)	-40 °C ... 105 °C
---------------------------------	-------------------

### Mounting

Mounting type	Soldering
Pin layout	Linear pinning

# UEG 20 GY - Electronics housing

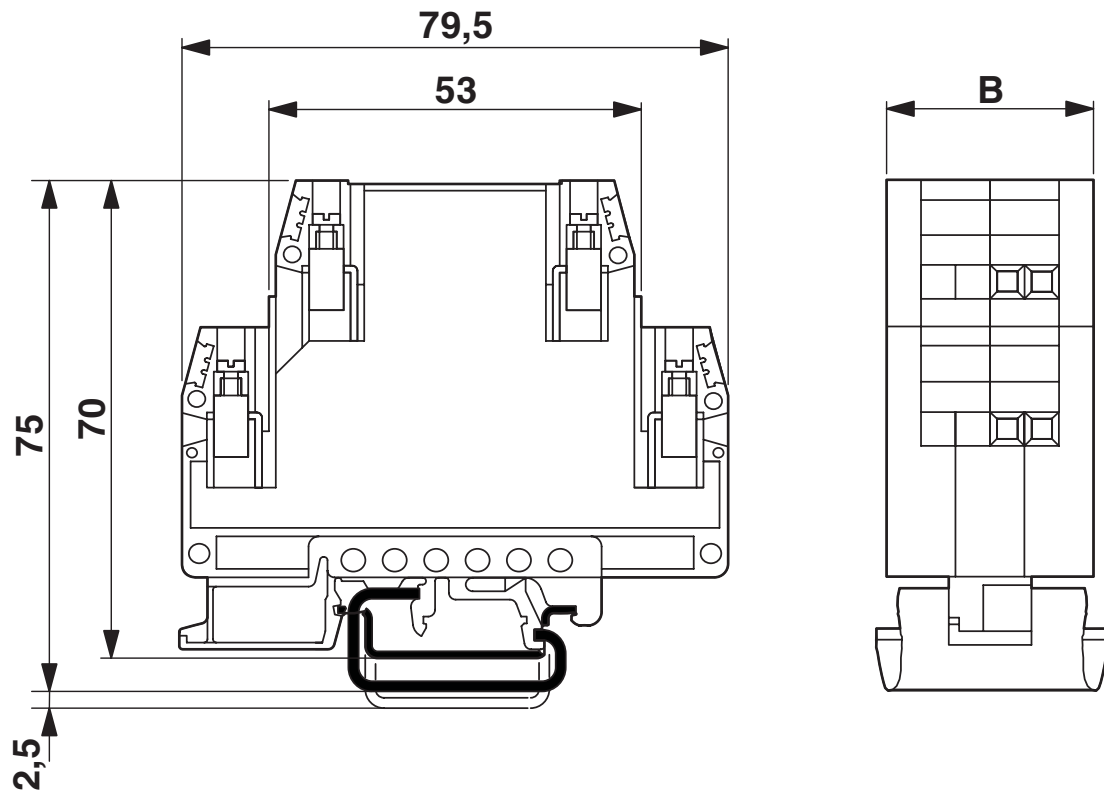
2790936

<https://www.phoenixcontact.com/us/products/2790936>



## Drawings

Dimensional drawing



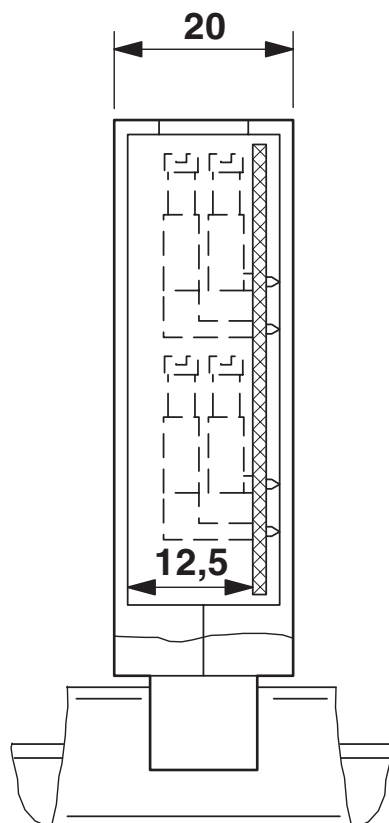
# UEG 20 GY - Electronics housing

2790936

<https://www.phoenixcontact.com/us/products/2790936>



Dimensional drawing



UEG 20 with 1 PCB, up to max. 8 pos.

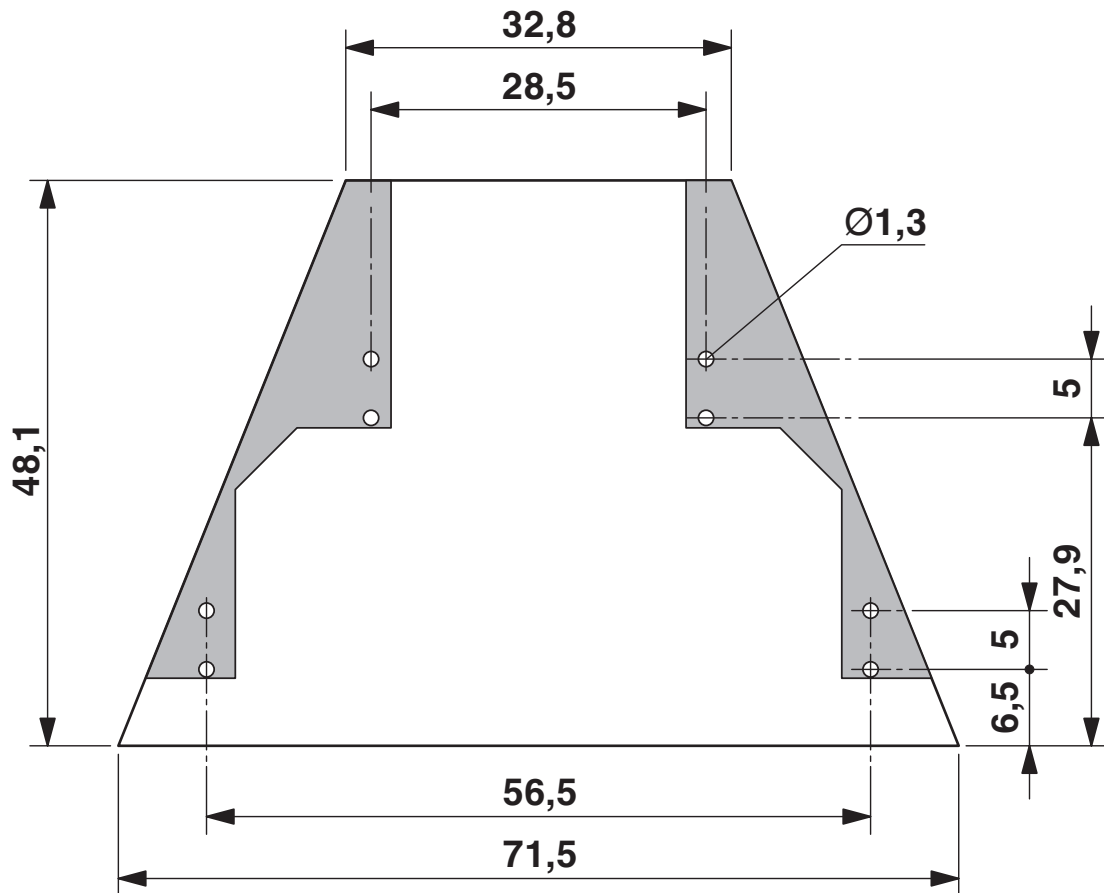
# UEG 20 GY - Electronics housing

2790936

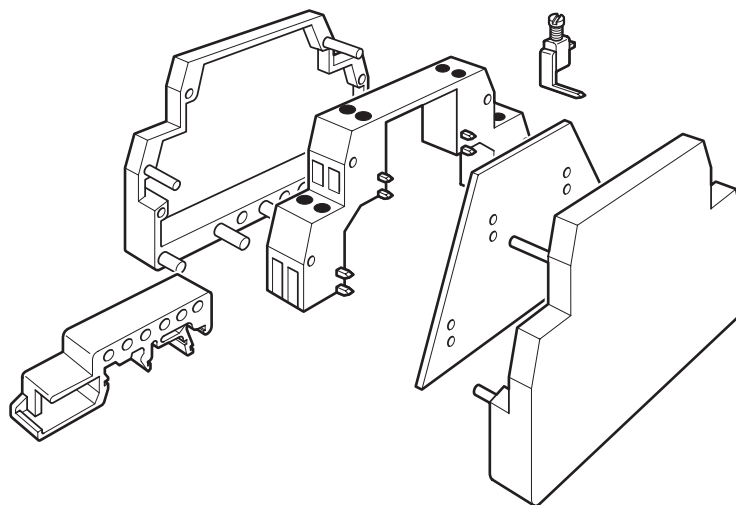
<https://www.phoenixcontact.com/us/products/2790936>



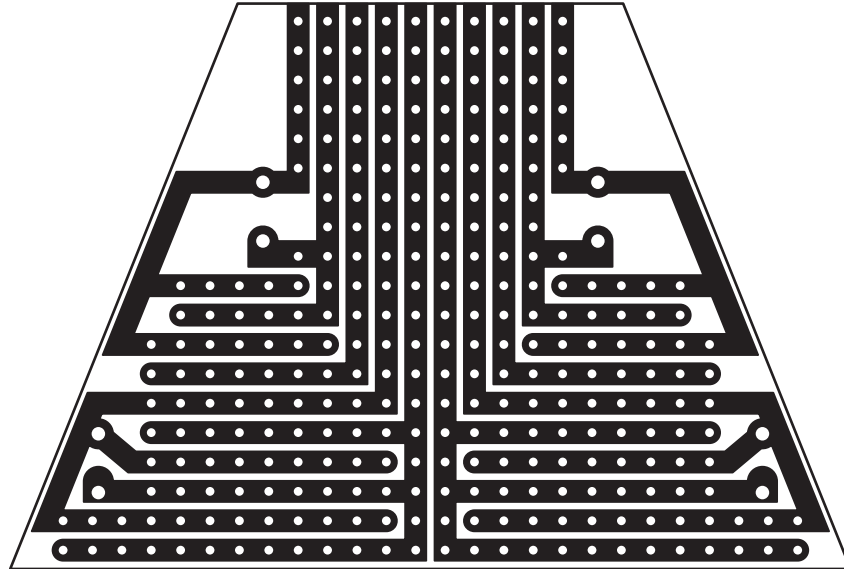
Dimensional drawing



Exploded view



Schematic diagram



## Environmental product compliance

### China RoHS

Environment friendly use period (EFUP)	EFUP-50 An article-related China RoHS declaration table can be found in the download area for the respective article under "Manufacturer declaration". For all articles with EFUP-E, no China RoHS declaration table issued and required.
--	--

### EU REACH SVHC

REACH candidate substance (CAS No.)	No substance above 0.1 wt%
-------------------------------------	----------------------------

Phoenix Contact 2026 © - all rights reserved  
<https://www.phoenixcontact.com>

Phoenix Contact USA  
586 Fulling Mill Road  
Middletown, PA 17057, United States  
(+717) 944-1300  
[info@phoenixcon.com](mailto:info@phoenixcon.com)