

UEG 30/1 - Electronics housing

2790871

<https://www.phoenixcontact.com/us/products/2790871>



Please be informed that the data shown in this PDF document is generated from our online catalog. Please find the complete data in the user documentation. Our general terms of use for downloads are valid.

Electronic housing, for PCB insertion, fully equipped with 4 screw or tab connections per side



Commercial data

Item number	2790871
Packing unit	10 pc
Minimum order quantity	1 pc
Sales key	AC11
Product key	ACHCCA
GTIN	4017918072360
Weight per piece (including packing)	60.7 g
Weight per piece (excluding packing)	62.92 g
Customs tariff number	85369010
Country of origin	DE

Technical data

Product properties

Product type	Complete housing
Housing type	Component housing
Housing series	UEG
Product family	UEG
Type	Connection system integrated, housing closed
Number of positions	8
Pitch	5 mm
Number of rows	2
Ventilation openings present	no
Pin layout	Linear pinning

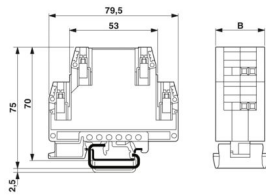
Electrical properties

Nominal voltage U_N	500 V (Voltage and current values are affected by the configuration of the printed circuit board.)
Nominal current I_N	10 A

Connection data

Connection method	Screw connection
-------------------	------------------

Dimensions

Dimensional drawing	
Width	30 mm
Installed height	70 mm
Height NS 35/7,5	70 mm
Depth	79.5 mm
Length	79.5 mm
Pitch	5 mm

Material specifications

Color (Housing)	green (RAL 6021)
Material Housing	PA
Flammability rating according to UL 94	V0
Surface characteristics	untreated

Environmental and real-life conditions

UEG 30/1 - Electronics housing



2790871

<https://www.phoenixcontact.com/us/products/2790871>

Ambient conditions

Ambient temperature (operation)	-40 °C ... 105 °C
---------------------------------	-------------------

Mounting

Mounting type	DIN rail mounting
Pin layout	Linear pinning

UEG 30/1 - Electronics housing

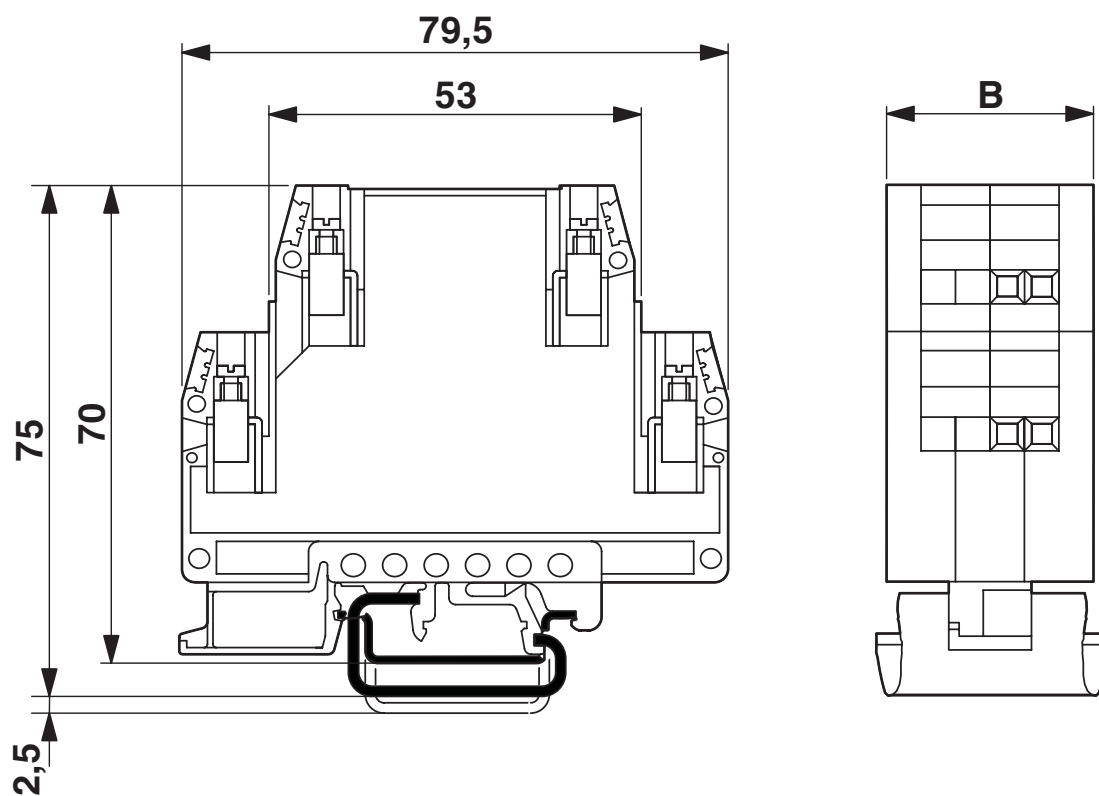
2790871

<https://www.phoenixcontact.com/us/products/2790871>



Drawings

Dimensional drawing



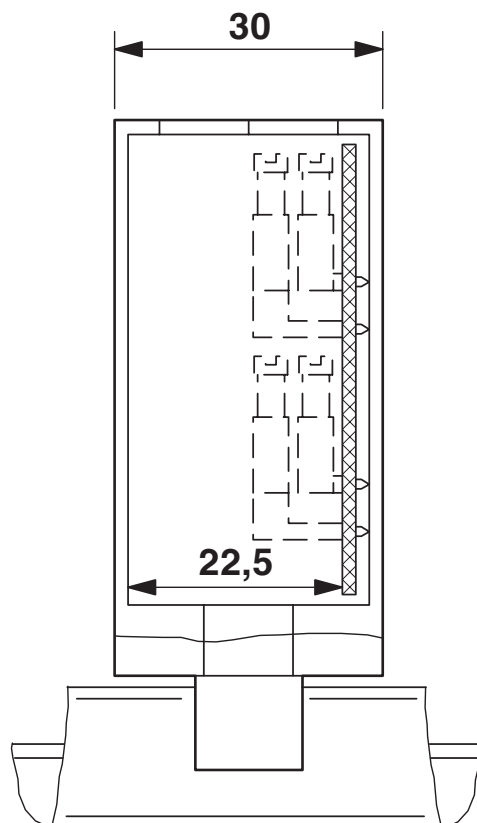
UEG 30/1 - Electronics housing

2790871

<https://www.phoenixcontact.com/us/products/2790871>



Dimensional drawing

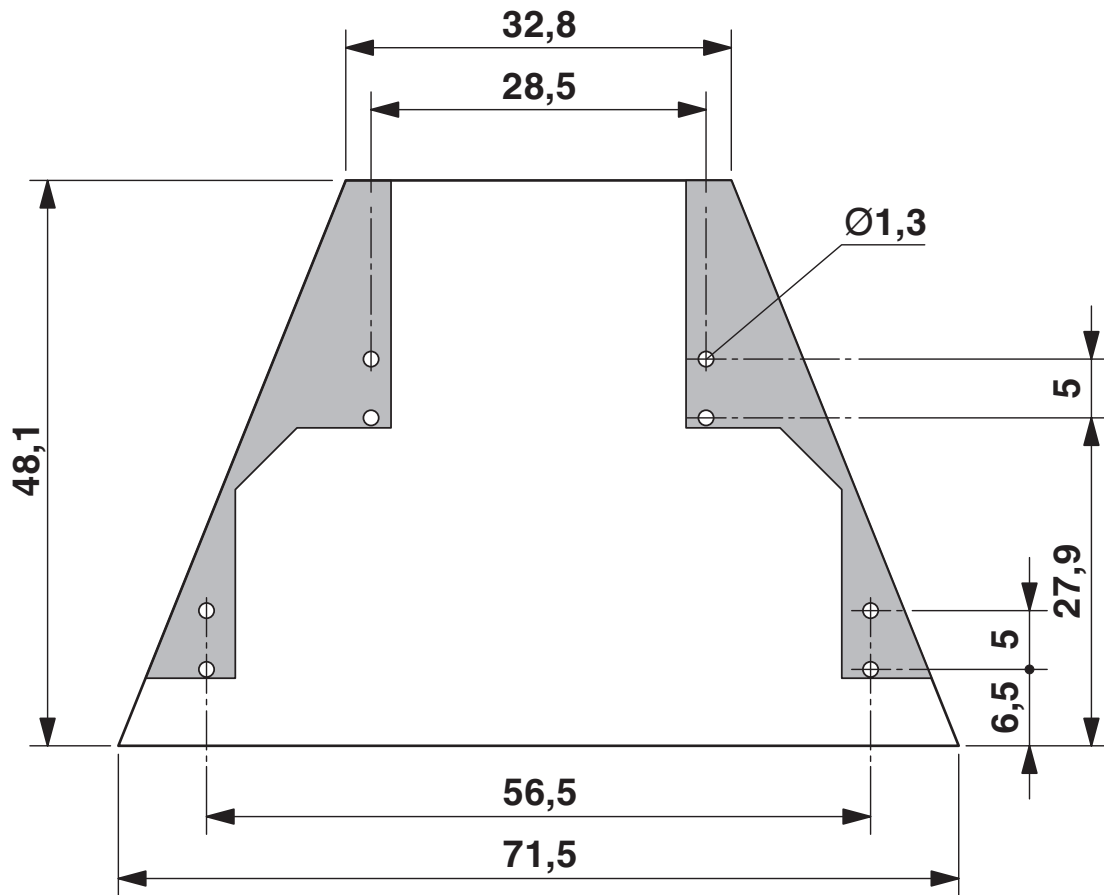


UEG 30/1, enlarged internal area, with 1 PCB, up to max. 8 positions

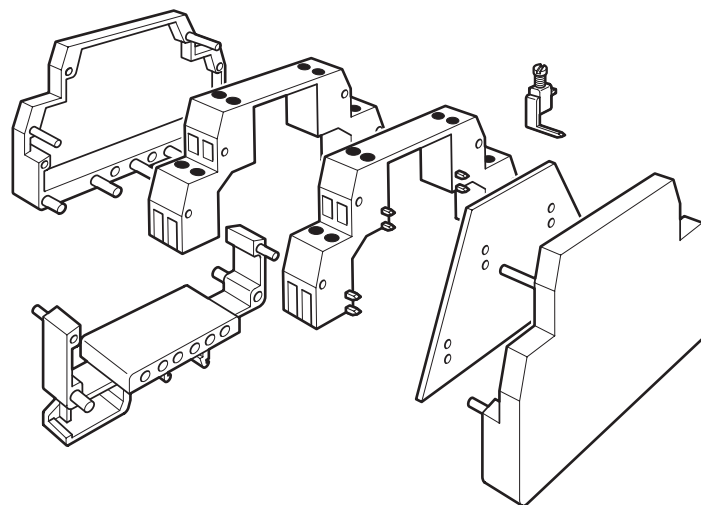
2790871

<https://www.phoenixcontact.com/us/products/2790871>

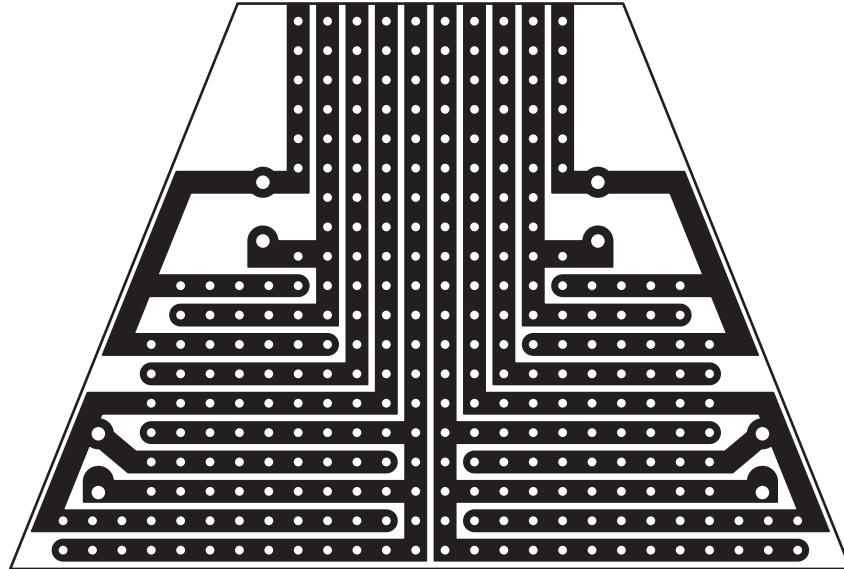
Dimensional drawing



Exploded view



Schematic diagram



UEG 30/1 - Electronics housing




2790871

<https://www.phoenixcontact.com/us/products/2790871>

Approvals

To download certificates, visit the product detail page: <https://www.phoenixcontact.com/us/products/2790871>

 cULus Recognized Approval ID: E60425-19770427		Nominal voltage U_N	Nominal current I_N	Cross section AWG	Cross section mm^2
B		300 V	10 A	30 - 12	-
D		300 V	10 A	30 - 12	-

UEG 30/1 - Electronics housing



2790871

<https://www.phoenixcontact.com/us/products/2790871>

Classifications

ECLASS

ECLASS-13.0	27190101
ECLASS-15.0	27190101

ETIM

ETIM 10.0	EC001031
-----------	----------

UNSPSC

UNSPSC 21.0	31261500
-------------	----------

UEG 30/1 - Electronics housing



2790871

<https://www.phoenixcontact.com/us/products/2790871>

Environmental product compliance

EU RoHS

Fulfills EU RoHS substance requirements	Yes, No exemptions
---	--------------------

China RoHS

Environment friendly use period (EFUP)	EFUP-E
	No hazardous substances above the limits

EU REACH SVHC

REACH candidate substance (CAS No.)	No substance above 0.1 wt%
-------------------------------------	----------------------------

Phoenix Contact 2026 © - all rights reserved
<https://www.phoenixcontact.com>

Phoenix Contact USA
586 Fulling Mill Road
Middletown, PA 17057, United States
(+717) 944-1300
info@phoenixcon.com