

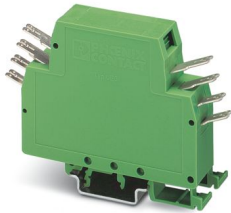
UEG 20-FS/FS - Electronics housing



2790266

<https://www.phoenixcontact.com/us/products/2790266>

Please be informed that the data shown in this PDF document is generated from our online catalog. Please find the complete data in the user documentation. Our general terms of use for downloads are valid.



Electronic housing, for PCB insertion, fully equipped with 4 screw or tab connections per side

Your advantages

- Universal P1-UEG... PCBs are available for laboratory samples and small series
- Cost-effective series production, since the base element and the assembled PCB are soldered by machine
- Installation of one or two PCBs in the housing
- Efficient assembly thanks to overlapping housing parts

Commercial data

Item number	2790266
Packing unit	1 pc
Note	Made to order (non-returnable)
Sales key	AC11
Product key	ACHCCA
GTIN	4017918072322
Weight per piece (including packing)	47.11 g
Weight per piece (excluding packing)	39.311 g
Customs tariff number	85369010
Country of origin	DE

2790266

<https://www.phoenixcontact.com/us/products/2790266>

Technical data

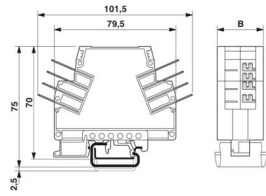
Product properties

Product type	Complete housing
Housing type	Component housing
Product family	UEG
Type	Connection system integrated, housing closed
Number of positions	8

Electrical properties

Nominal voltage U_N	500 V (Voltage and current values are affected by the configuration of the printed circuit board.)
Nominal current I_N	10 A (6.3 mm slip-on connection)
	8 A (2.8 mm slip-on connection)

Dimensions

Dimensional drawing	
Width	20 mm
Installed height	70 mm
Height NS 35/7,5	70 mm
Depth	101.5 mm
Length	101.5 mm

Material specifications

Color	green
Housing material	PA 6.6

Environmental and real-life conditions

Ambient conditions

Ambient temperature (operation)	-40 °C ... 105 °C
---------------------------------	-------------------

Mounting

Mounting type	DIN rail mounting
---------------	-------------------

UEG 20-FS/FS - Electronics housing

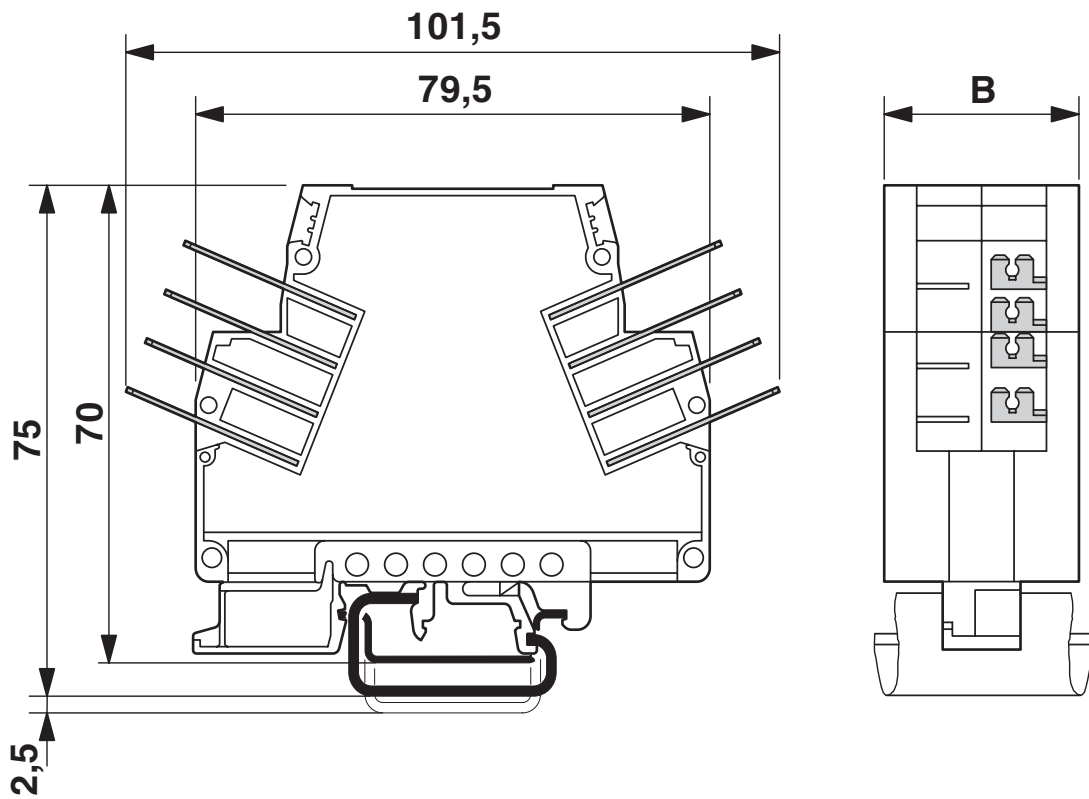
2790266

<https://www.phoenixcontact.com/us/products/2790266>



Drawings

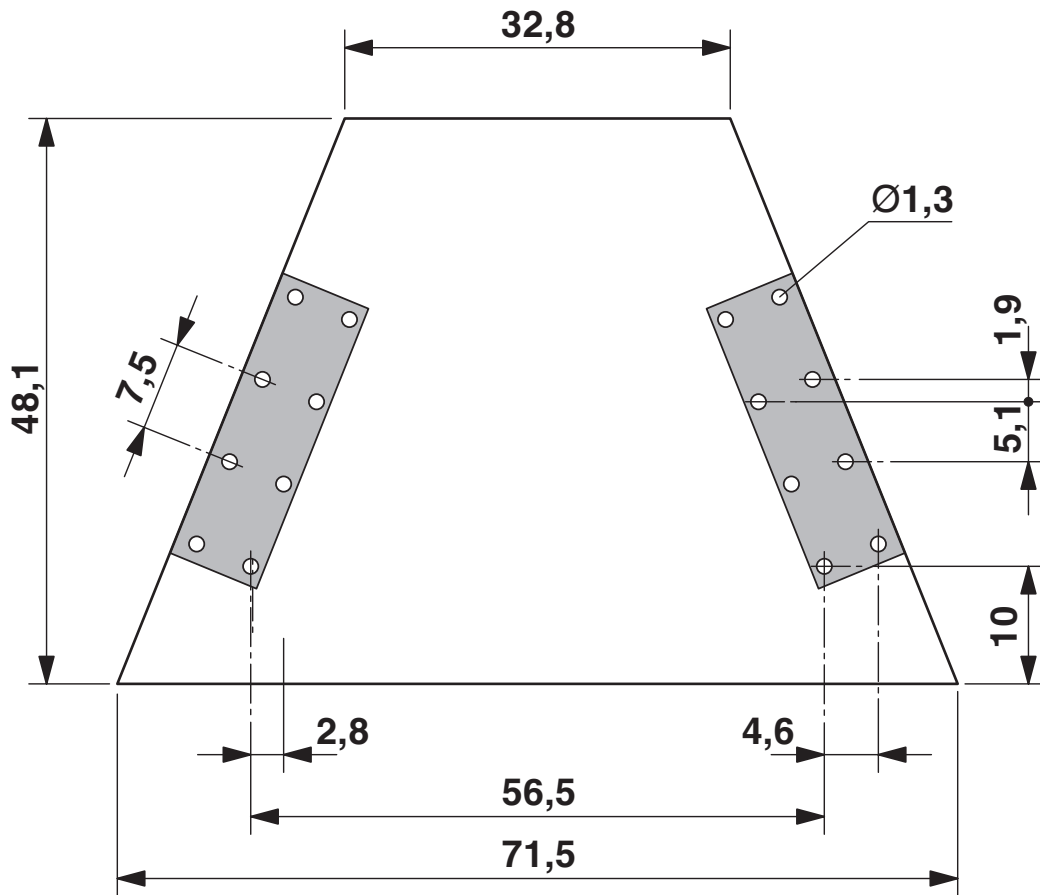
Dimensional drawing



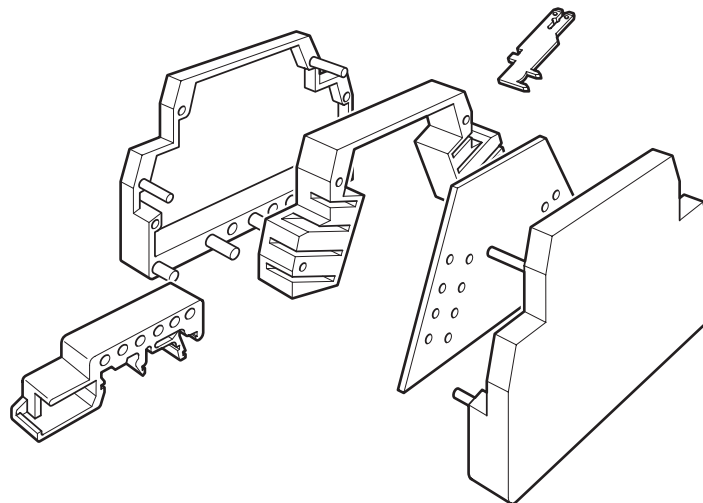
2790266

<https://www.phoenixcontact.com/us/products/2790266>

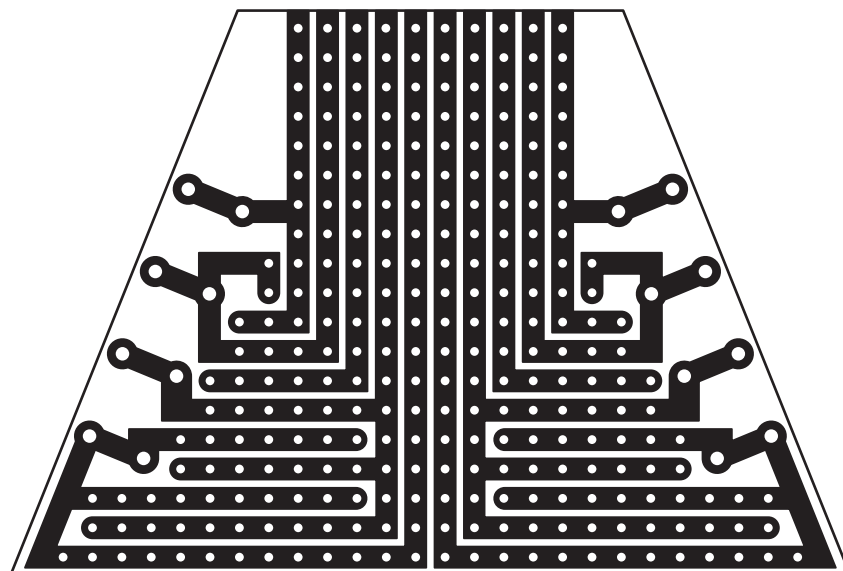
Dimensional drawing



Exploded view



Schematic diagram



UEG 20-FS/FS - Electronics housing



2790266

<https://www.phoenixcontact.com/us/products/2790266>

Environmental product compliance

EU RoHS

Fulfills EU RoHS substance requirements	Yes, No exemptions
---	--------------------

China RoHS

Environment friendly use period (EFUP)	EFUP-E
	No hazardous substances above the limits

EU REACH SVHC

REACH candidate substance (CAS No.)	No substance above 0.1 wt%
-------------------------------------	----------------------------

Phoenix Contact 2026 © - all rights reserved
<https://www.phoenixcontact.com>

Phoenix Contact USA
586 Fulling Mill Road
Middletown, PA 17057, United States
(+717) 944-1300
info@phoenixcon.com