

UEG 30/2 - Electronics housing

2790240

<https://www.phoenixcontact.com/us/products/2790240>

Please be informed that the data shown in this PDF document is generated from our online catalog. Please find the complete data in the user documentation. Our general terms of use for downloads are valid.

Electronic housing, for two PCBs, fully equipped with 8 screw or tab connections per side



The figure shows version UEG 30/1

Commercial data

Item number	2790240
Packing unit	10 pc
Minimum order quantity	1 pc
Sales key	AC11
Product key	ACHCCA
GTIN	4017918072315
Weight per piece (including packing)	73.4 g
Weight per piece (excluding packing)	63.9 g
Customs tariff number	85369010
Country of origin	DE

Technical data

Product properties

Product type	Complete housing
Housing type	Component housing
Housing series	UEG
Product family	UEG
Type	Connection system integrated, housing closed
Number of positions	16
Pitch	5 mm
Number of rows	2
Ventilation openings present	no
Pin layout	Linear pinning

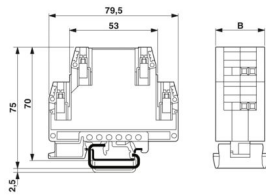
Electrical properties

Nominal voltage U_N	500 V (Voltage and current values are affected by the configuration of the printed circuit board.)
Nominal current I_N	10 A

Connection data

Connection method	Screw connection
-------------------	------------------

Dimensions

Dimensional drawing	
Width	30 mm
Installed height	70 mm
Height NS 35/15	77.5 mm
Height NS 35/7,5	70 mm
Height NS 32	75 mm
Depth	79.5 mm
Pitch	5 mm

Material specifications

Color (Housing)	green (RAL 6021)
Material Housing	PA
Flammability rating according to UL 94	V0

Mechanical properties

2790240

<https://www.phoenixcontact.com/us/products/2790240>

Mechanical data

Open side panel	No
-----------------	----

Environmental and real-life conditions

Power dissipation single housing for 20 °C

Ambient temperature	20 °C
Reduction factor	1

Power dissipation single housing for 30 °C

Ambient temperature	30 °C
Reduction factor	0.78

Power dissipation single housing for 40 °C

Ambient temperature	40 °C
Reduction factor	0.61

Power dissipation single housing for 50 °C

Ambient temperature	50 °C
Reduction factor	0.48

Power dissipation single housing for 60 °C

Ambient temperature	60 °C
Reduction factor	0.37

Ambient conditions

Ambient temperature (operation)	-40 °C ... 105 °C (depending on power dissipation)
Ambient temperature (storage/transport)	-40 °C ... 70 °C
Ambient temperature (assembly)	-5 °C ... 100 °C

Mounting

Mounting type	DIN rail mounting
Pin layout	Linear pinning

UEG 30/2 - Electronics housing

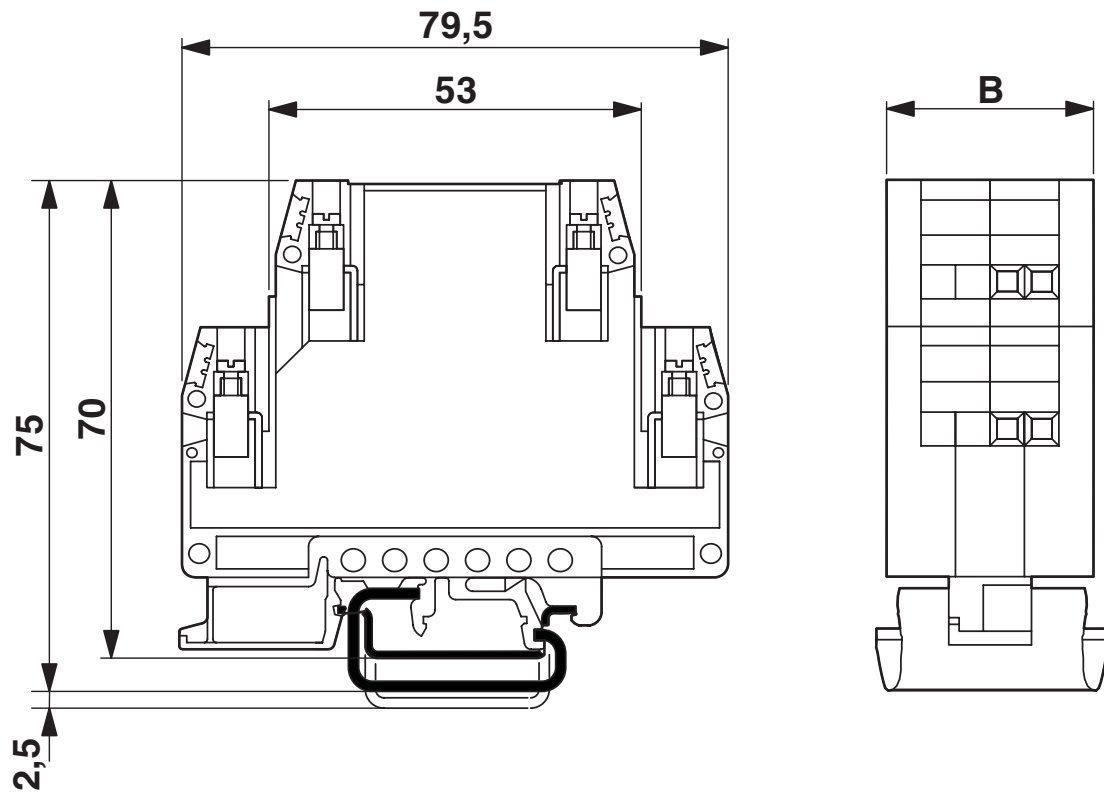
2790240

<https://www.phoenixcontact.com/us/products/2790240>



Drawings

Dimensional drawing



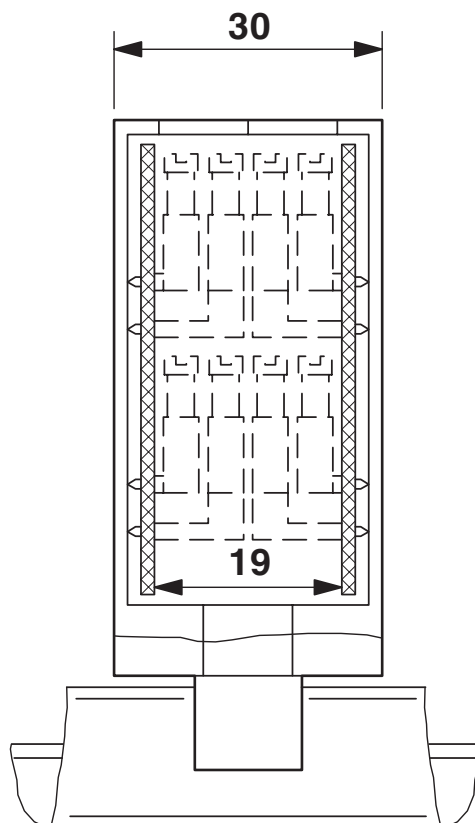
UEG 30/2 - Electronics housing

2790240

<https://www.phoenixcontact.com/us/products/2790240>



Dimensional drawing



UEG 30/2, enlarged internal area, with 2 PCBs arranged as mirror image, up to max. 16 pos.

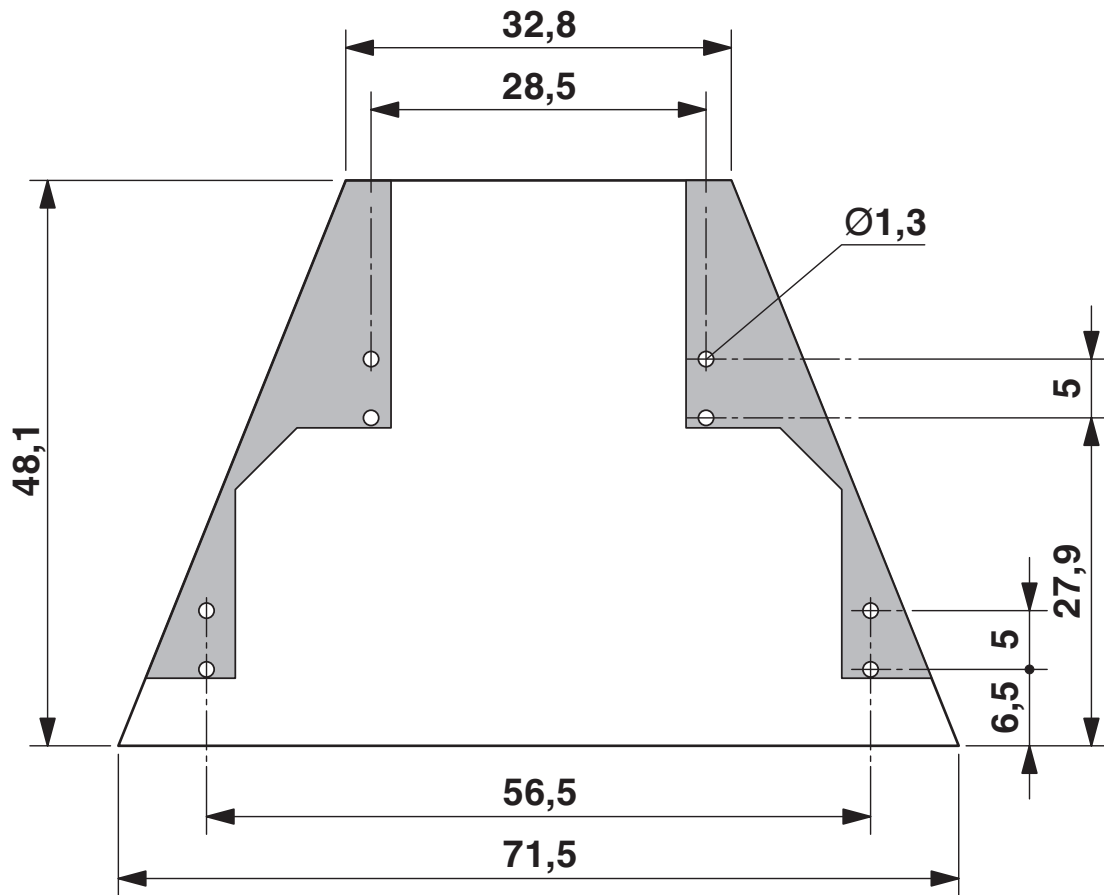
UEG 30/2 - Electronics housing

2790240

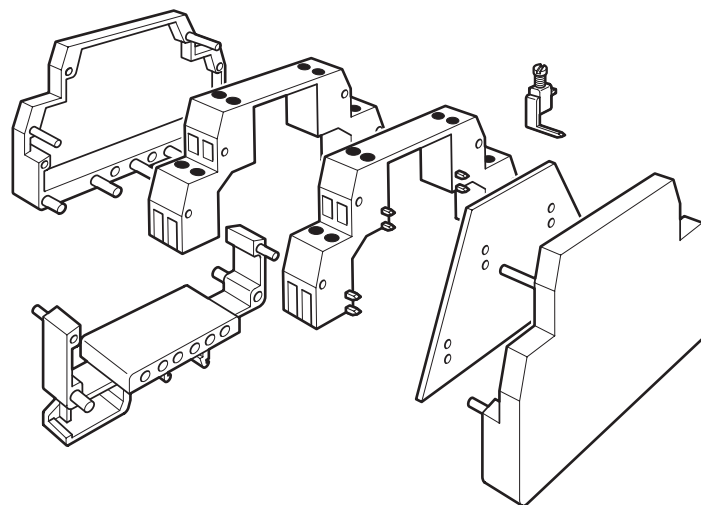
<https://www.phoenixcontact.com/us/products/2790240>



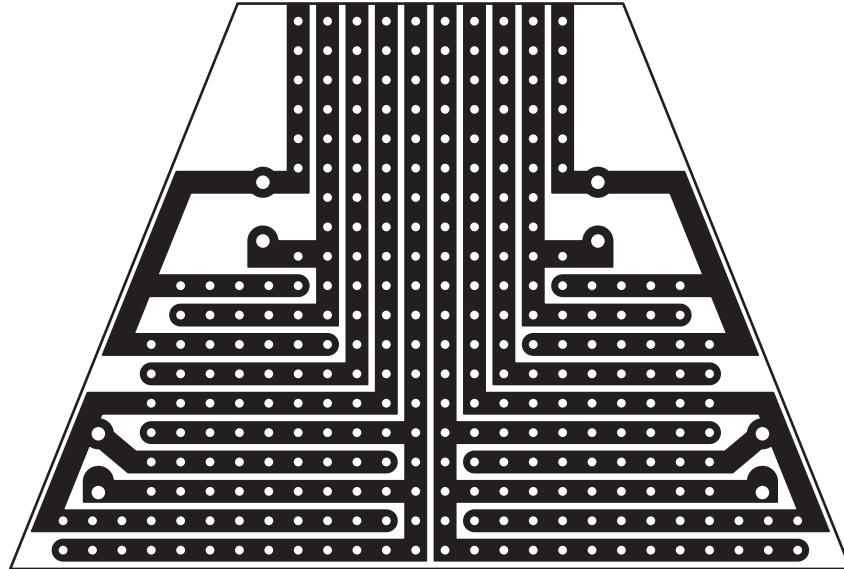
Dimensional drawing



Exploded view



Schematic diagram



UEG 30/2 - Electronics housing




2790240

<https://www.phoenixcontact.com/us/products/2790240>

Approvals

To download certificates, visit the product detail page: <https://www.phoenixcontact.com/us/products/2790240>

 cULus Recognized Approval ID: E60425-19770427				
	Nominal voltage U_N	Nominal current I_N	Cross section AWG	Cross section mm^2
B	300 V	10 A	30 - 12	-
D	300 V	10 A	30 - 12	-

UEG 30/2 - Electronics housing

2790240

<https://www.phoenixcontact.com/us/products/2790240>



Classifications

ECLASS

ECLASS-13.0	27190101
ECLASS-15.0	27190101

ETIM

ETIM 10.0	EC001031
-----------	----------

UNSPSC

UNSPSC 21.0	31261500
-------------	----------

UEG 30/2 - Electronics housing



2790240

<https://www.phoenixcontact.com/us/products/2790240>

Environmental product compliance

EU RoHS

Fulfills EU RoHS substance requirements	Yes, No exemptions
---	--------------------

China RoHS

Environment friendly use period (EFUP)	EFUP-E
	No hazardous substances above the limits

EU REACH SVHC

REACH candidate substance (CAS No.)	No substance above 0.1 wt%
-------------------------------------	----------------------------

EF3.1 Climate Change

CO2e kg	0.63 kg CO2e
---------	--------------

Phoenix Contact 2026 © - all rights reserved
<https://www.phoenixcontact.com>

Phoenix Contact USA
586 Fulling Mill Road
Middletown, PA 17057, United States
(+717) 944-1300
info@phoenixcon.com