

P 1-UEG - PCB

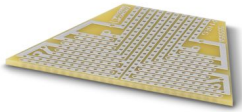


2790224

<https://www.phoenixcontact.com/us/products/2790224>

Please be informed that the data shown in this PDF document is generated from our online catalog. Please find the complete data in the user documentation. Our general terms of use for downloads are valid.

PCB for custom fitting electronic components



Commercial data

Item number	2790224
Packing unit	10 pc
Minimum order quantity	1 pc
Sales key	AC11
Product key	ACHCCZ
GTIN	4017918072308
Weight per piece (including packing)	6.81 g
Weight per piece (excluding packing)	6.71 g
Customs tariff number	85340019
Country of origin	DE

P 1-UEG - PCB

2790224

<https://www.phoenixcontact.com/us/products/2790224>



Technical data

Product properties

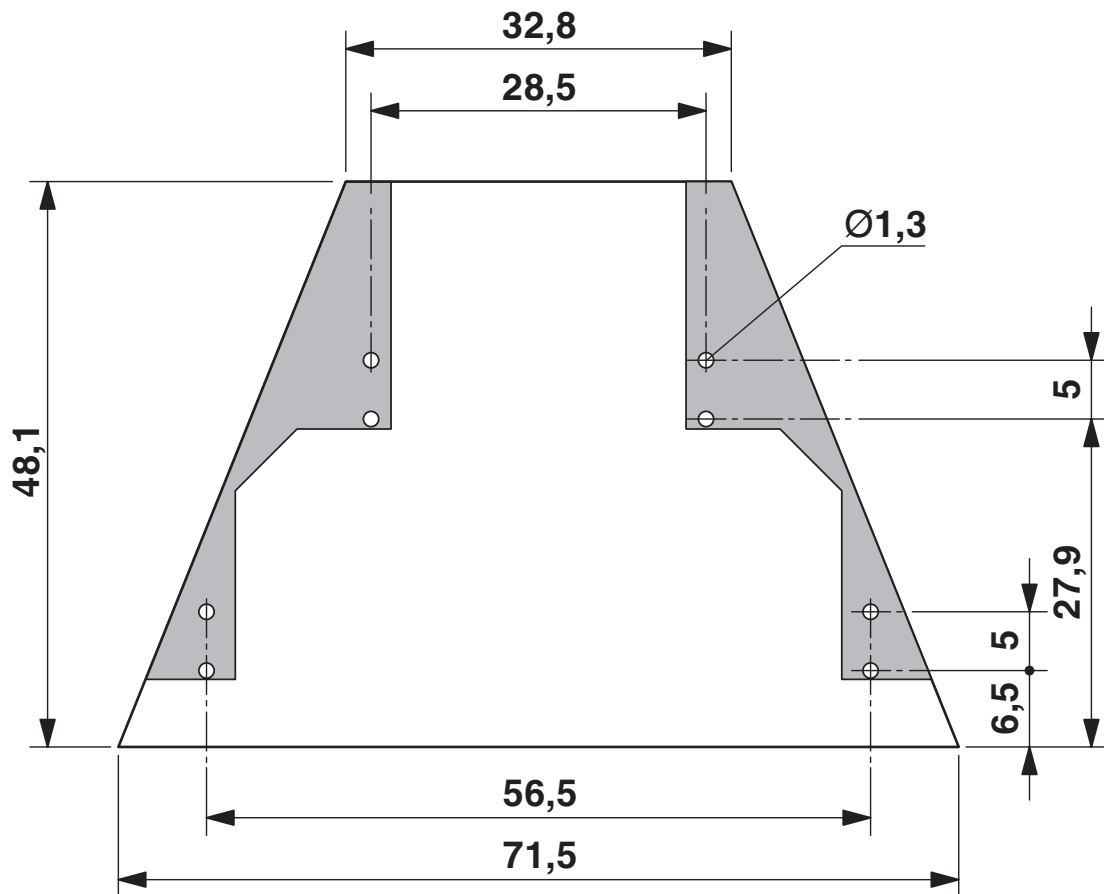
Product type	PCB
Housing series	UEG
Product family	UEG

Material specifications

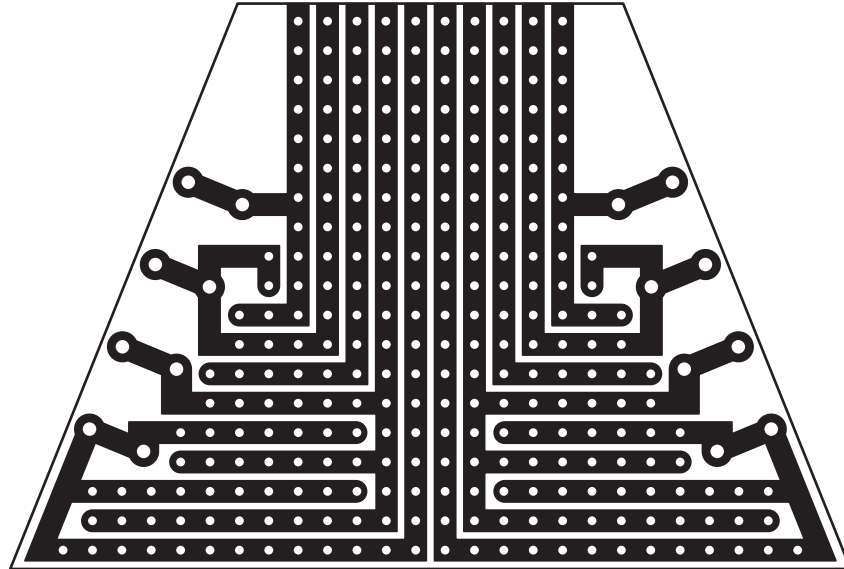
Color (Housing)	green (RAL 6021)
-----------------	------------------

Drawings

Dimensional drawing



Schematic diagram



P 1-UEG - PCB



2790224

<https://www.phoenixcontact.com/us/products/2790224>

Classifications

ECLASS

ECLASS-13.0	27260692
ECLASS-15.0	27260692

ETIM

ETIM 10.0	EC001031
-----------	----------

UNSPSC

UNSPSC 21.0	31261500
-------------	----------

P 1-UEG - PCB



2790224

<https://www.phoenixcontact.com/us/products/2790224>

Environmental product compliance

EU RoHS

Fulfills EU RoHS substance requirements	Yes, No exemptions
---	--------------------

China RoHS

Environment friendly use period (EFUP)	EFUP-E
	No hazardous substances above the limits

EU REACH SVHC

REACH candidate substance (CAS No.)	No substance above 0.1 wt%
-------------------------------------	----------------------------

Phoenix Contact 2026 © - all rights reserved
<https://www.phoenixcontact.com>

Phoenix Contact USA
586 Fulling Mill Road
Middletown, PA 17057, United States
(+717) 944-1300
info@phoenixcon.com