

TG 40 - Housing

2788896

<https://www.phoenixcontact.com/us/products/2788896>



Please be informed that the data shown in this PDF document is generated from our online catalog. Please find the complete data in the user documentation. Our general terms of use for downloads are valid.

Housing for mounting surge voltage arresters



Product description

The TG 40 aluminum housing is equipped with two Pg13,5 cable screw connections positioned opposite each other on either side. The housing cover is attached to the base using four non-rusting and captive screws. TG 40 is supplied with DIN rail NS 35/7.5. On the DIN rail, five sections of 17.5 mm width each are available for the installation of protection devices. Degree of protection: IP65. IEC 529/EN 60529/DIN VDE 0470-1. Installation width 5 div.

Commercial data

Item number	2788896
Packing unit	1 pc
Note	Made to order (non-returnable)
Sales key	CL21
Product key	CL211Z
GTIN	4017918071950
Weight per piece (including packing)	1,780 g
Weight per piece (excluding packing)	1,704.7 g
Customs tariff number	76169910
Country of origin	DE

TG 40 - Housing

2788896

<https://www.phoenixcontact.com/us/products/2788896>

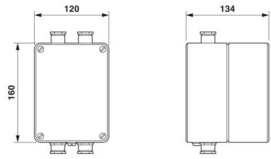


Technical data

Product properties

Product type	Housing
--------------	---------

Dimensions

Dimensional drawing	
Width	120 mm
Height	160 mm
Depth	134 mm

Material specifications

Housing material	Aluminum
------------------	----------

Mechanical properties

Mechanical data

Open side panel	No
-----------------	----

Environmental and real-life conditions

Ambient conditions

Degree of protection	IP65
----------------------	------

Mounting

Mounting type	Panel mounting
---------------	----------------

TG 40 - Housing

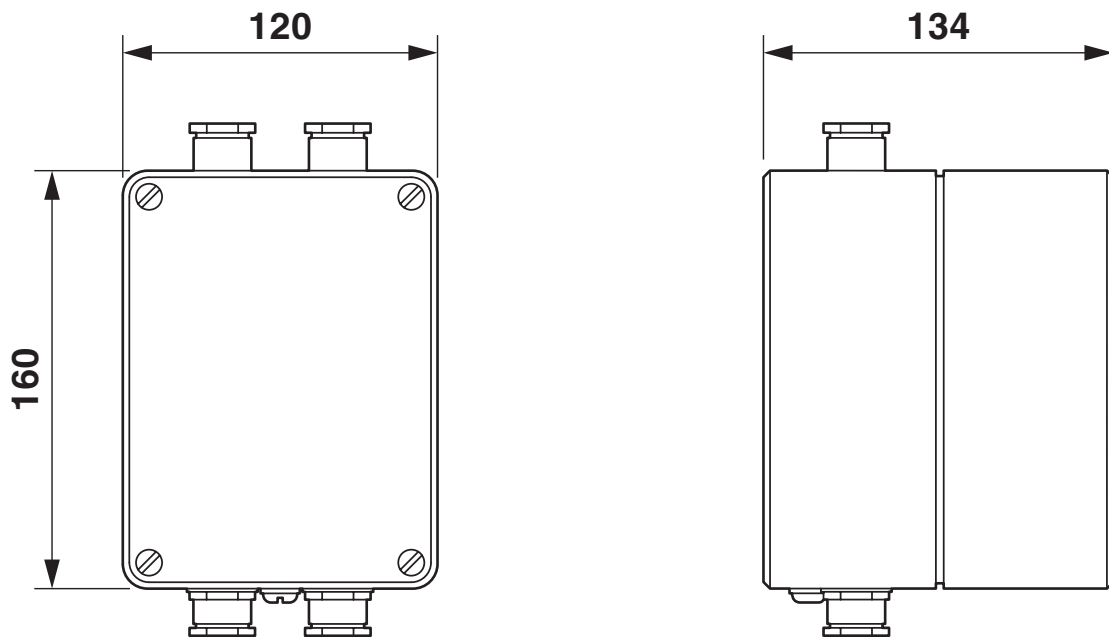
2788896

<https://www.phoenixcontact.com/us/products/2788896>



Drawings

Dimensional drawing



TG 40 - Housing

2788896

<https://www.phoenixcontact.com/us/products/2788896>



Environmental product compliance

EU RoHS

Fulfills EU RoHS substance requirements	Yes, No exemptions
---	--------------------

China RoHS

Environment friendly use period (EFUP)	EFUP-E
	No hazardous substances above the limits

EU REACH SVHC

REACH candidate substance (CAS No.)	No substance above 0.1 wt%
-------------------------------------	----------------------------

Phoenix Contact 2026 © - all rights reserved
<https://www.phoenixcontact.com>

Phoenix Contact USA
586 Fulling Mill Road
Middletown, PA 17057, United States
(+717) 944-1300
info@phoenixcon.com