

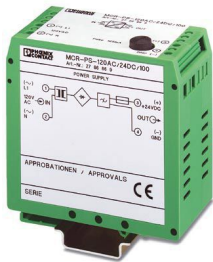
MCR-PS-230AC/24DC/100 - Signal conditioner



2786047

<https://www.phoenixcontact.com/us/products/2786047>

Please be informed that the data shown in this PDF document is generated from our online catalog. Please find the complete data in the user documentation. Our general terms of use for downloads are valid.



Power supply unit, with fixed-voltage regulator, input 230 V AC, output 24 V DC/100 mA

Commercial data

Item number	2786047
Packing unit	1 pc
Note	Made to order (non-returnable)
Sales key	CM11
Product key	CMPL13
GTIN	4017918070458
Weight per piece (including packing)	321 g
Weight per piece (excluding packing)	321 g
Customs tariff number	85044094
Country of origin	DE

MCR-PS-230AC/24DC/100 - Signal conditioner



2786047

<https://www.phoenixcontact.com/us/products/2786047>

Technical data

Input data

Input voltage	230 V AC $\pm 10\%$
AC frequency range	50 Hz ... 60 Hz
Current consumption	approx. 35 mA
Nominal power consumption	approx. 8 VA

Output data

Number of outputs	1
Nominal output voltage	24 V DC $\pm 4\%$
Nominal output current (I_N)	100 mA
Residual ripple	≤ 50 mV _{PP} (at $U_N = 24$ V AC)
Output fuse	0.125 A (normal blow)

Connection data

Input

Connection method	Screw connection
Conductor cross-section, rigid min.	0.2 mm ²
Conductor cross-section, rigid max.	2.5 mm ²
Conductor cross-section flexible min.	0.2 mm ²
Conductor cross-section flexible max.	2.5 mm ²
Conductor cross-section AWG min.	24
Conductor cross-section AWG max.	14
Stripping length	8 mm
Screw thread	M3

Output

Connection method	Screw connection
Conductor cross-section, rigid min.	0.2 mm ²
Conductor cross-section, rigid max.	2.5 mm ²
Conductor cross-section flexible min.	0.2 mm ²
Conductor cross-section flexible max.	2.5 mm ²
Conductor cross-section AWG min.	24
Conductor cross-section AWG max.	14
Stripping length	8 mm
Screw thread	M3

Electrical properties

Test voltage input/output	4 kV AC
---------------------------	---------

Product properties

Product type	Power supply
Operating mode	100% operating factor

MCR-PS-230AC/24DC/100 - Signal conditioner



2786047

<https://www.phoenixcontact.com/us/products/2786047>

Dimensions

Width	40 mm
Height	85.5 mm
Depth	79 mm
Horizontal pitch	2.2 Div.

Mounting

Assembly note	can be aligned with spacing = 10 mm
Mounting position	On horizontal DIN rail

Environmental and real-life conditions

Ambient conditions

Degree of protection	IP20
Ambient temperature (operation)	0 °C ... 60 °C

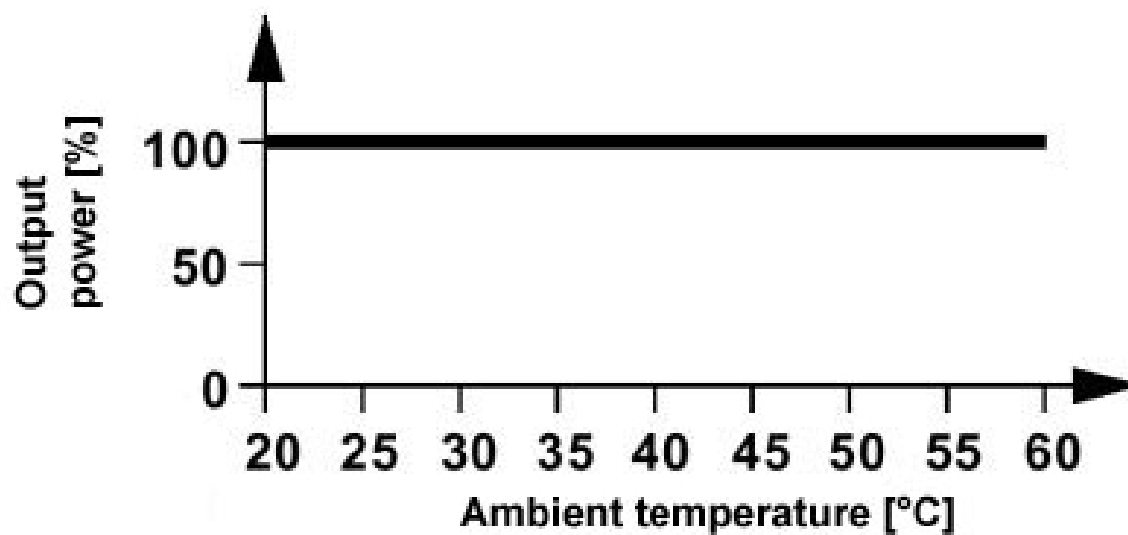
Standards and regulations

Standards

Standards/regulations	IEC 664
	IEC 664 A
	DIN VDE 0110-1
	DIN VDE 0551

Drawings

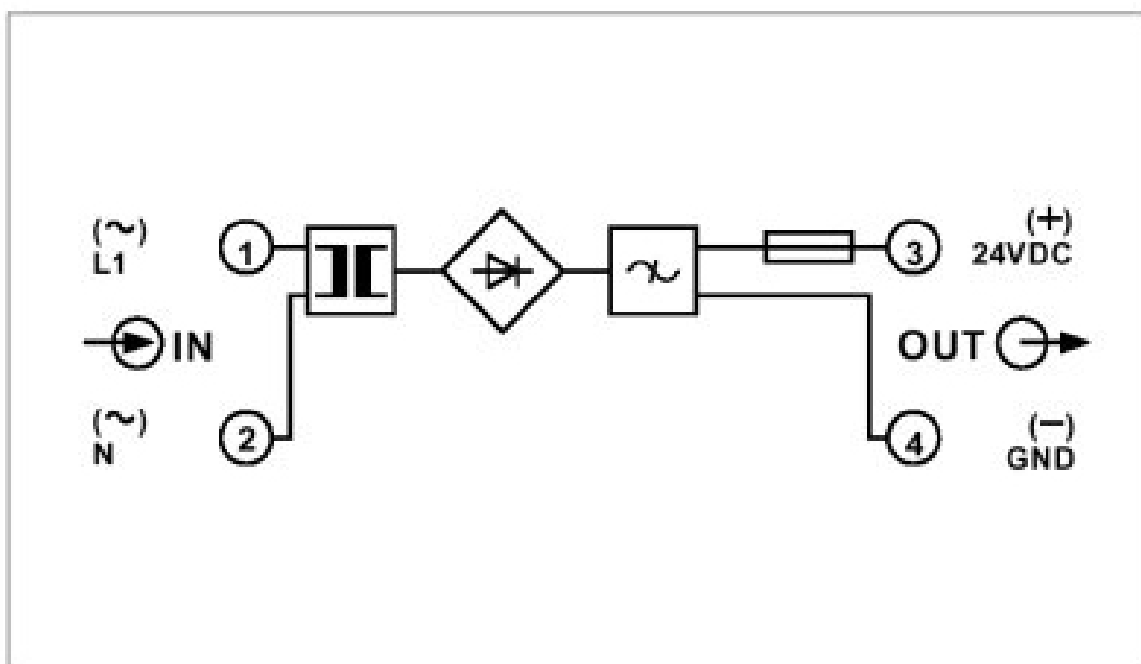
Diagram



2786047

<https://www.phoenixcontact.com/us/products/2786047>

Circuit diagram



MCR-PS-230AC/24DC/100 - Signal conditioner



2786047

<https://www.phoenixcontact.com/us/products/2786047>

Environmental product compliance

EU REACH SVHC

REACH candidate substance (CAS No.)	
-------------------------------------	--

	No substance above 0.1 wt%
--	----------------------------

Phoenix Contact 2026 © - all rights reserved

<https://www.phoenixcontact.com>

Phoenix Contact USA
586 Fulling Mill Road
Middletown, PA 17057, United States
(+717) 944-1300
info@phoenixcon.com