

UEGM 40/1 BK - Electronics housing



2786018

<https://www.phoenixcontact.com/us/products/2786018>

Please be informed that the data shown in this PDF document is generated from our online catalog. Please find the complete data in the user documentation. Our general terms of use for downloads are valid.

Electronic housing, for PCB insertion, fully equipped with 3 screw or 6 tab connections per side



Commercial data

Item number	2786018
Packing unit	10 pc
Minimum order quantity	10 pc
Note	Made to order (non-returnable)
Product key	ACHCCB
GTIN	4017918274061
Weight per piece (including packing)	71.91 g
Weight per piece (excluding packing)	60.234 g
Country of origin	DE

2786018

<https://www.phoenixcontact.com/us/products/2786018>

Technical data

Product properties

Housing type	Complete housing
Type	Connection system integrated, housing closed
Number of positions	6
Pitch	5 mm
Number of rows	1
Pin layout	Linear pinning

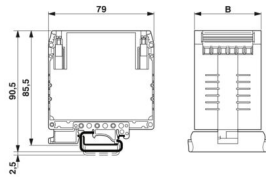
Electrical properties

Nominal voltage U_N	500 V (Voltage and current values are affected by the configuration of the printed circuit board.)
Nominal current I_N	10 A

Connection data

Connection method	Screw connection
-------------------	------------------

Dimensions

Dimensional drawing	
Width	40 mm
Height NS 35/7,5	85.5 mm
Depth	79 mm
Length	79 mm
Pitch	5 mm

Material specifications

Color	black (RAL 9005)
Flammability rating according to UL 94	V2
Housing material	PA 6.6

Environmental and real-life conditions

Ambient conditions

Ambient temperature (operation)	-40 °C ... 105 °C
---------------------------------	-------------------

Mounting

Mounting type	Soldering
Pin layout	Linear pinning

UEGM 40/1 BK - Electronics housing

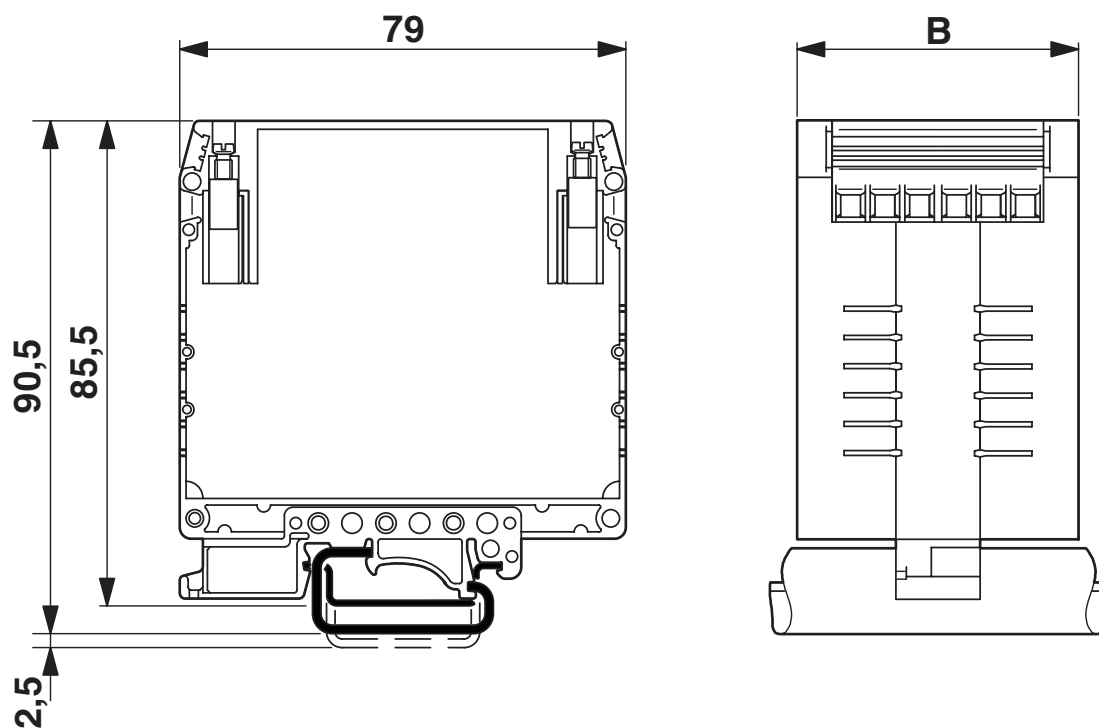
2786018

<https://www.phoenixcontact.com/us/products/2786018>



Drawings

Dimensional drawing



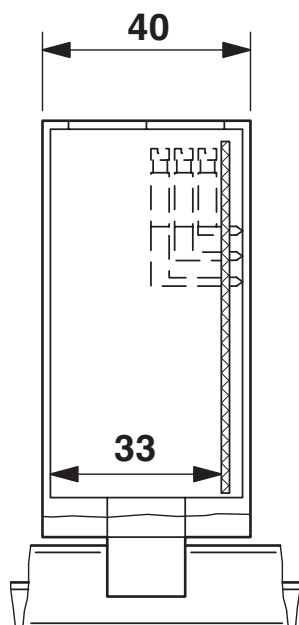
UEGM 40/1 BK - Electronics housing

2786018

<https://www.phoenixcontact.com/us/products/2786018>



Dimensional drawing



Dimensional drawing



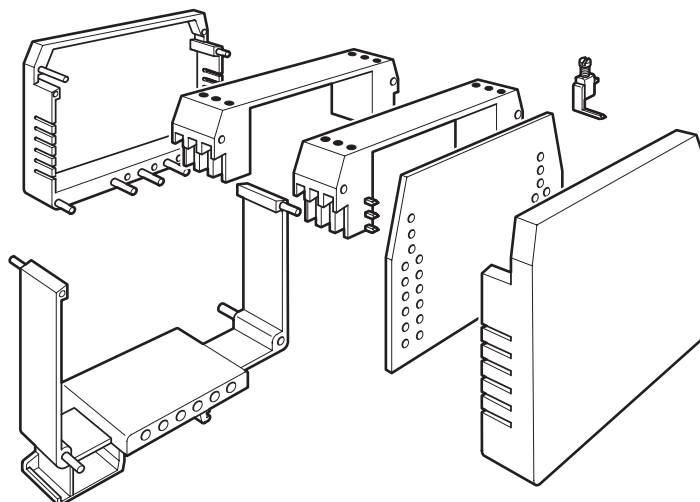
UEGM 40/1 BK - Electronics housing

2786018

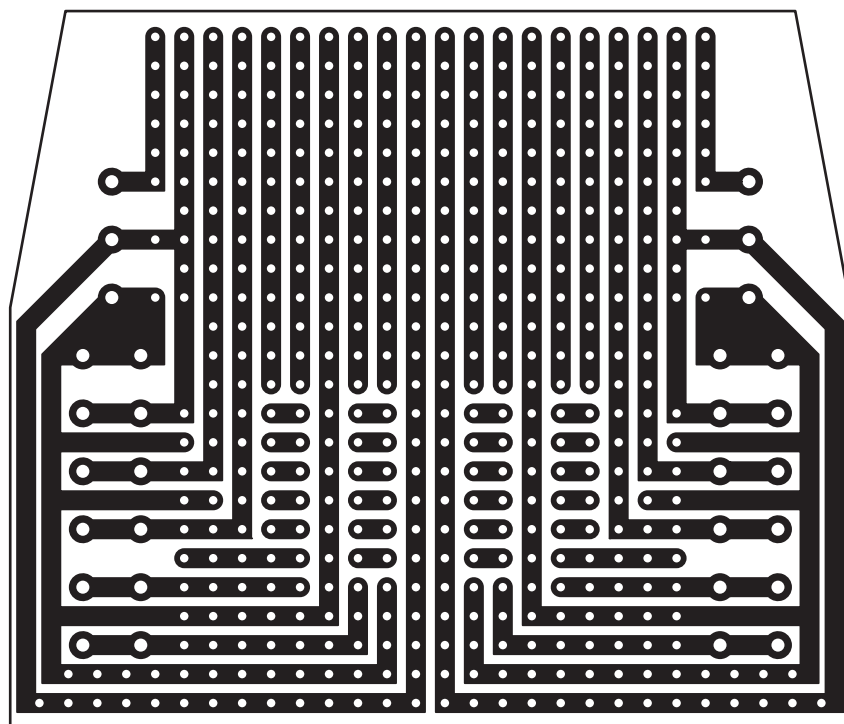
<https://www.phoenixcontact.com/us/products/2786018>



Exploded view



Schematic diagram



UEGM 40/1 BK - Electronics housing



2786018

<https://www.phoenixcontact.com/us/products/2786018>

Environmental product compliance

China RoHS

Environment friendly use period (EFUP)	EFUP-50
	An article-related China RoHS declaration table can be found in the download area for the respective article under "Manufacturer declaration". For all articles with EFUP-E, no China RoHS declaration table issued and required.

EU REACH SVHC

REACH candidate substance (CAS No.)	No substance above 0.1 wt%
-------------------------------------	----------------------------

Phoenix Contact 2026 © - all rights reserved
<https://www.phoenixcontact.com>

Phoenix Contact USA
586 Fulling Mill Road
Middletown, PA 17057, United States
(+717) 944-1300
info@phoenixcon.com