

C-UFB-24DC/E - Surge protection device



2782313

<https://www.phoenixcontact.com/us/products/2782313>

Please be informed that the data shown in this PDF document is generated from our online catalog. Please find the complete data in the user documentation. Our general terms of use for downloads are valid.



Attachment plug with surge voltage coarse and fine protection, for coaxial signal interfaces with floating shield, signal voltage 24 V. Connection: BNC socket/plug

Your advantages

- Easy installation with system-compliant connection
- Low signal interference with adapted protective circuit
- Limitation of energy-rich pulses with powerful protection

Commercial data

Item number	2782313
Packing unit	10 pc
Minimum order quantity	1 pc
Sales key	CL25
Product key	CL3313
GTIN	4017918069452
Weight per piece (including packing)	110.17 g
Weight per piece (excluding packing)	0.99 g
Customs tariff number	85363010
Country of origin	DE

C-UFB-24DC/E - Surge protection device

2782313

<https://www.phoenixcontact.com/us/products/2782313>

Technical data

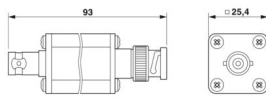
Product properties

Product type	Surge protection for transceiver systems
IEC test classification	C2
	C3
	D1
Type	Intermediate plug
Surge protection fault message	none

Connection data

Connection method	BNC 50 Ω
-------------------	-----------------

Dimensions

Dimensional drawing	
Width	25.4 mm
Height	93 mm
Length	25.4 mm

Material specifications

Color	black (RAL 9005)
	silver-colored
Housing material	Aluminum

Mechanical properties

Mechanical data

Open side panel	No
-----------------	----

Protective circuit

Direction of action	Line-Shield/Earth Ground
Maximum continuous operating voltage U_C	30 V DC
Rated current	185 mA (25 °C)
Operating effective current I_C at U_C	$\leq 10 \mu\text{A}$
Protective conductor current I_{PE}	$\leq 2 \mu\text{A}$
Nominal discharge current I_n (8/20) μs (line-ground)	10 kA
Nominal discharge current I_n (8/20) μs (line-shield)	10 kA
Total discharge current I_{Total} (8/20) μs	20 kA
Output voltage limitation at 1 kV/ μs (line-earth) spike	$\leq 500 \text{ V}$
Output voltage limitation at 1 kV/ μs (line-shield) spike	$\leq 70 \text{ V}$
Output voltage limitation at 1 kV/ μs (line-shield) static	$\leq 45 \text{ V}$

C-UFB-24DC/E - Surge protection device



2782313

<https://www.phoenixcontact.com/us/products/2782313>

Residual voltage at I_n (conductor-ground)	≤ 50 V (10 cm cable)
Residual voltage at I_n (conductor-shield)	≤ 43 V
Voltage protection level U_p (line-earth)	≤ 500 V (C1 - 1 kV / 500 A)
	≤ 500 V (C3 - 10 A)
	≤ 600 V (C2 - 10 kV / 5 kA)
Voltage protection level U_p (line-shield)	≤ 50 V (C3 - 10 A)
	≤ 70 V (C1 - 1 kV / 500 A)
	≤ 120 V (C2 - 10 kV / 5 kA)
Response time t_A (line-earth)	≤ 100 ns
Response time t_A (line-shield)	≤ 500 ns
Input attenuation aE, asym.	2 dB (≤ 20 MHz)
Cut-off frequency f_g (3 dB), asym. (shield) in 50 Ω system	typ. 90 MHz
Surge protection fault message	none
Impulse durability (line-earth)	C2 - 10 kV / 5 kA
	D1 - 2.5 kA

Environmental and real-life conditions

Ambient conditions

Degree of protection	IP20
Ambient temperature (operation)	-40 °C ... 80 °C

Standards and regulations

Standards Information technology specification

Standards/regulations	IEC 61643-21
	IEC 61643-21

Air clearances and creepage distances

Standards/regulations	VDE 0110-1 / IEC 60664-1
Standards/specifications	IEC 61643-21
Note	2000

Mounting

Mounting type	Connection-specific intermediate plugging
---------------	---

C-UFB-24DC/E - Surge protection device

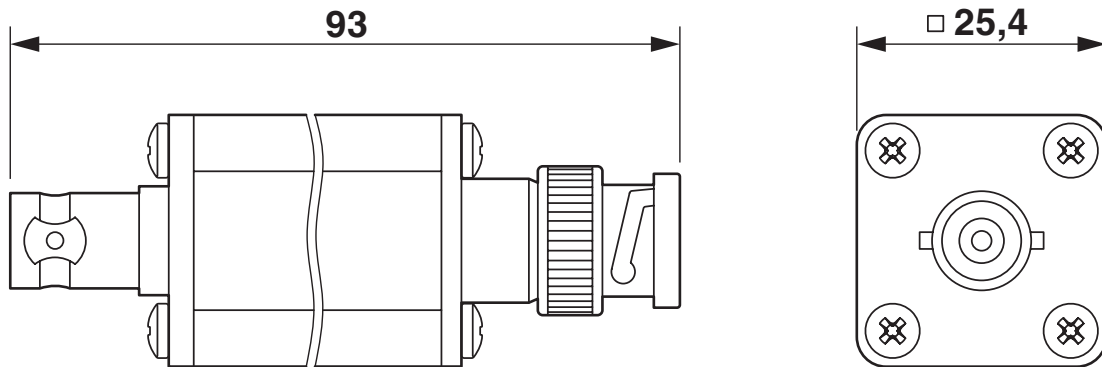


2782313

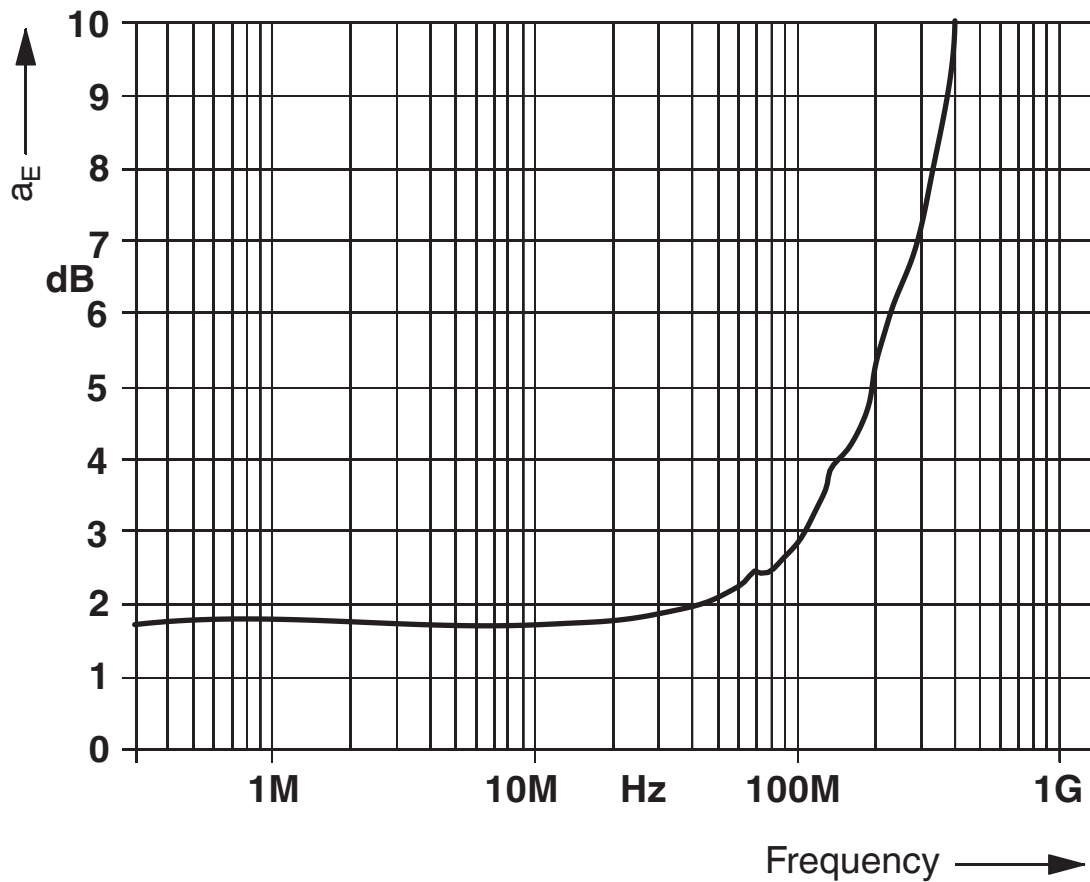
<https://www.phoenixcontact.com/us/products/2782313>

Drawings

Dimensional drawing



Diagram



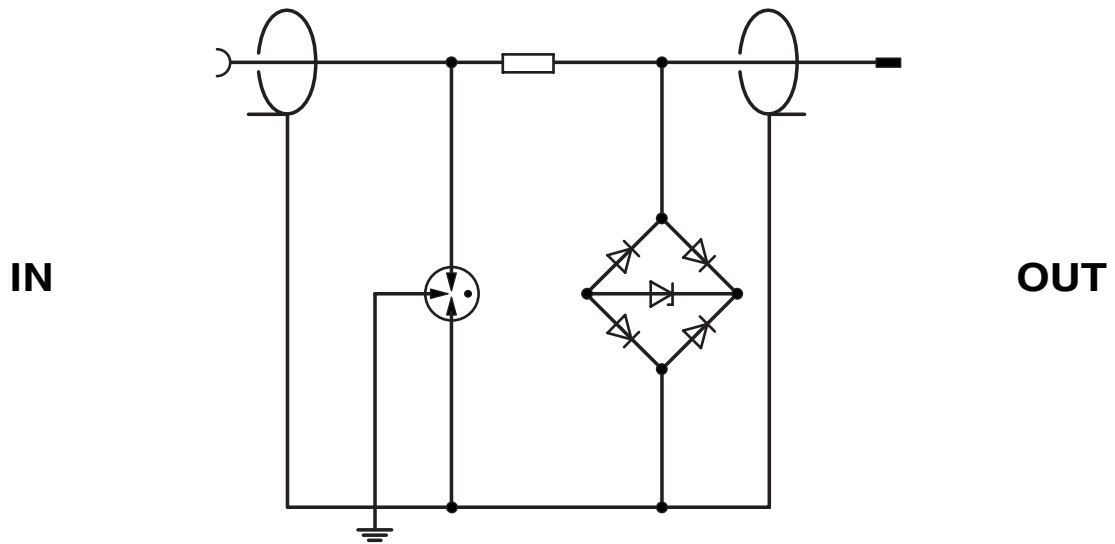
C-UFB-24DC/E - Surge protection device

2782313

<https://www.phoenixcontact.com/us/products/2782313>



Circuit diagram



C-UFB-24DC/E - Surge protection device



2782313

<https://www.phoenixcontact.com/us/products/2782313>

Classifications

ECLASS

ECLASS-13.0

27171503

ETIM

ETIM 9.0

EC000943

UNSPSC

UNSPSC 21.0

39121600

C-UFB-24DC/E - Surge protection device



2782313

<https://www.phoenixcontact.com/us/products/2782313>

Environmental product compliance

EU RoHS

Fulfills EU RoHS substance requirements	Yes
Exemption	7(a), 7(c)-I

China RoHS

Environment friendly use period (EFUP)	EFUP-50
	An article-related China RoHS declaration table can be found in the download area for the respective article under "Manufacturer declaration". For all articles with EFUP-E, no China RoHS declaration table issued and required.

EU REACH SVHC

REACH candidate substance (CAS No.)	Lead(CAS: 7439-92-1)
SCIP	7ad7c19c-d582-45c0-a4b4-aaf28a24daf5

Phoenix Contact 2026 © - all rights reserved

<https://www.phoenixcontact.com>

Phoenix Contact USA
586 Fulling Mill Road
Middletown, PA 17057, United States
(+717) 944-1300
info@phoenixcon.com