

C-UB - Surge protection device

2782245

<https://www.phoenixcontact.com/us/products/2782245>

Please be informed that the data shown in this PDF document is generated from our online catalog. Please find the complete data in the user documentation. Our general terms of use for downloads are valid.



Attachment connector with surge protection, for coaxial signal interfaces. Connection: BNC socket/plug

Commercial data

Item number	2782245
Packing unit	1 pc
Note	Made to order (non-returnable)
Sales key	CL03
Product key	CL3316
GTIN	4017918069438
Weight per piece (including packing)	63.86 g
Weight per piece (excluding packing)	62.64 g
Customs tariff number	85363010
Country of origin	DE

C-UB - Surge protection device

2782245

<https://www.phoenixcontact.com/us/products/2782245>

Technical data

Notes

General

Note	To meet the discharge conditions for DC voltages, please note the following information: "The surge protective device should be used together with a transmitter unit, which shuts down in the event of a short-circuit."
------	---

Product properties

Product type	Surge protection for transceiver systems
IEC test classification	C2
	C3
	D1
Type	Intermediate plug
Surge protection fault message	none

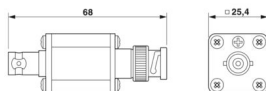
Insulation characteristics

Overvoltage category	II
Pollution degree	2

Connection data

Connection method	BNC 50 Ω
-------------------	----------

Dimensions

Dimensional drawing	
Width	25.4 mm
Height	25.4 mm
Length	68 mm

Material specifications

Housing material	Aluminum
------------------	----------

Mechanical properties

Mechanical data

Open side panel	No
-----------------	----

Protective circuit

Direction of action	Line-Shield/Earth Ground
Maximum continuous operating voltage U_C	68 V DC
	50 V AC

C-UB - Surge protection device



2782245

<https://www.phoenixcontact.com/us/products/2782245>

Rated current	1 A (25 °C)
Operating effective current I_C at U_C	$\leq 1 \mu\text{A}$
Protective conductor current I_{PE}	$\leq 2 \mu\text{A}$
Nominal discharge current I_n (8/20) μs (line-ground)	10 kA
Nominal discharge current I_n (8/20) μs (line-shield)	10 kA
Pulse discharge current I_{imp} (10/350) μs (line-earth)	2.5 kA
Pulse discharge current I_{imp} (10/350) μs (line-shield)	2.5 kA
Output voltage limitation at 1 kV/ μs (line-earth) spike	$\leq 650 \text{ V}$
Output voltage limitation at 1 kV/ μs (line-shield) spike	$\leq 650 \text{ V}$
Voltage protection level U_p (line-earth)	$\leq 650 \text{ V}$ (C2 - 10 kV / 5 kA)
Voltage protection level U_p (line-shield)	$\leq 650 \text{ V}$ (C2 - 10 kV / 5 kA)
Response time t_A	$\leq 100 \text{ ns}$
Input attenuation aE, asym.	typ. 0.1 dB ($\leq 20 \text{ MHz} / 50 \Omega$)
Cut-off frequency f_g (3 dB), asym. (shield) in 50 Ω system	typ. 1 GHz
Voltage standing wave ratio VSWR in a 50 Ω system	≤ 1.20 ($\leq 200 \text{ MHz}$)
Permissible HF power P_{max} at VSWR = xx (50 ohm system)	40 W (VSWR = 1.1) 12 W (VSWR = ∞)
Capacity asymmetrical (shield)	typ. 1.5 pF
Surge protection fault message	none
Impulse durability (line-earth)	C2 - 10 kV / 5 kA C3 - 100 A D1 - 2.5 kA
Impulse durability (line-shield)	C2 - 10 kV/5 kA C3 - 100 A D1 - 2.5 kA

Environmental and real-life conditions

Ambient conditions

Degree of protection	IP20
Ambient temperature (operation)	-40 °C ... 80 °C
Altitude	$\leq 2000 \text{ m}$ (amsl)

Standards and regulations

Air clearances and creepage distances

Standards/regulations	DIN VDE 0110-1 / IEC 60664-1
Standards/specifications	IEC 61643-21
Note	2012
Standards/specifications	EN 61643-21
Note	2013

Mounting

Mounting type	Connection-specific intermediate plugging
---------------	---

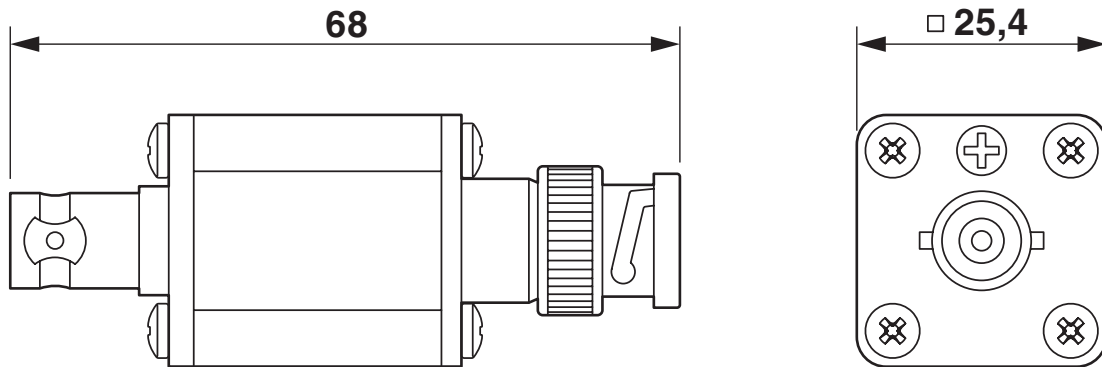
C-UB - Surge protection device

2782245

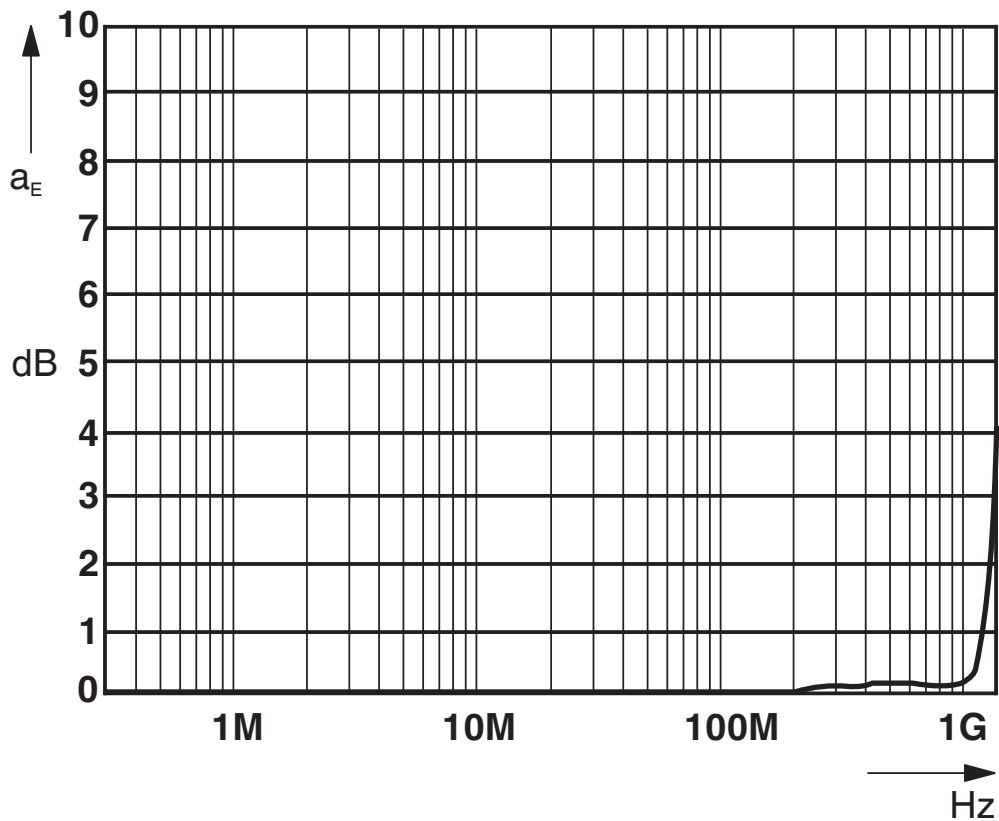
<https://www.phoenixcontact.com/us/products/2782245>

Drawings

Dimensional drawing



Diagram



The figure shows the asymmetrical characteristic curve for 50

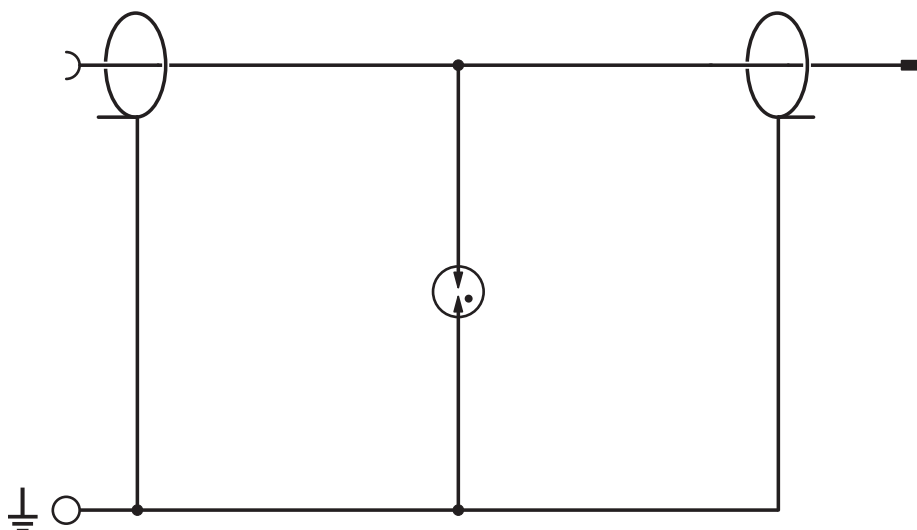
C-UB - Surge protection device

2782245

<https://www.phoenixcontact.com/us/products/2782245>



Circuit diagram



C-UB - Surge protection device



2782245

<https://www.phoenixcontact.com/us/products/2782245>

Environmental product compliance

China RoHS

Environment friendly use period (EFUP)	EFUP-50
	An article-related China RoHS declaration table can be found in the download area for the respective article under "Manufacturer declaration". For all articles with EFUP-E, no China RoHS declaration table issued and required.

EU REACH SVHC

REACH candidate substance (CAS No.)	No substance above 0.1 wt%
-------------------------------------	----------------------------

Phoenix Contact 2026 © - all rights reserved
<https://www.phoenixcontact.com>

Phoenix Contact USA
586 Fulling Mill Road
Middletown, PA 17057, United States
(+717) 944-1300
info@phoenixcon.com