

# D-UFB-V24/8-BS-S - Surge protection device

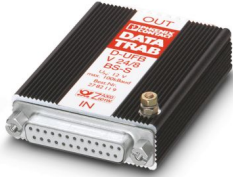


2782119

<https://www.phoenixcontact.com/us/products/2782119>

Please be informed that the data shown in this PDF document is generated from our online catalog. Please find the complete data in the user documentation. Our general terms of use for downloads are valid.

Attachment plug with surge voltage fine protection for V.24 interface with handshake.  
Connection: D-SUB-25 socket/plug, for direct assembly on the device interface



## Commercial data

Item number	2782119
Packing unit	1 pc
Note	Made to order (non-returnable)
Sales key	CL03
Product key	CL3113
GTIN	4017918069353
Weight per piece (including packing)	107.6 g
Weight per piece (excluding packing)	1.11 g
Customs tariff number	85363010
Country of origin	DE

# D-UFB-V24/8-BS-S - Surge protection device

2782119

<https://www.phoenixcontact.com/us/products/2782119>

## Technical data

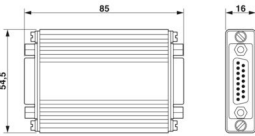
### Product properties

IEC test classification	C1
	C3
VDE requirement class	C1
	C3
Type	Intermediate plug

### Connection data

Connection method	D-SUB 25
-------------------	----------

### Dimensions

Dimensional drawing	
Width	24.5 mm
Height	54.5 mm
Length	84.6 mm

### Material specifications

Housing material	Aluminum
------------------	----------

### Mechanical properties

#### Mechanical data

Open side panel	No
-----------------	----

### Protective circuit

Direction of action	Line-Line & Line-Signal Ground/Shield & Signal Ground/Shield-Earth Ground
Maximum continuous voltage $U_C$ (line-signal ground)	15 V DC
Nominal current $I_N$	1 A (60 °C)
Operating effective current $I_C$ at $U_C$	$\leq 5 \mu A$
Protective conductor current $I_{PE}$	$\leq 1 \mu A$
Nominal discharge current $I_n$ (8/20) $\mu s$ (line-line)	300 A
Nominal discharge current $I_n$ (8/20) $\mu s$ (line-ground)	300 A
Nominal discharge current $I_n$ (8/20) $\mu s$ (signal ground-earth)	5 kA
Total surge current (8/20) $\mu s$	5 kA
Max. discharge current $I_{max}$ (8/20) $\mu s$ maximum (line-earth)	300 A
Nominal pulse current $I_{an}$ (10/1000) $\mu s$ (line-earth)	59 A
Output voltage limitation at 1 kV/ $\mu s$ (line-earth) spike	$\leq 600 V$

# D-UFB-V24/8-BS-S - Surge protection device



2782119

<https://www.phoenixcontact.com/us/products/2782119>

Output voltage limitation at 1 kV/ $\mu$ s (line-signal ground) spike	$\leq 22$ V
Output voltage limitation at 1 kV/ $\mu$ s (line-shield) spike	$\leq 22$ V
Output voltage limitation at 1 kV/ $\mu$ s (line-earth) static	$\leq 600$ V
Output voltage limitation at 1 kV/ $\mu$ s (line-signal ground) static	$\leq 22$ V
Residual voltage at $I_n$ (line-signal ground)	$\leq 28$ V
Residual voltage with $I_{an}$ (10/1000) $\mu$ s (line-signal ground)	$\leq 25$ V
Voltage protection level $U_p$ (line-earth)	$\leq 600$ V
Voltage protection level $U_p$ (line-signal ground)	$\leq 28$ V
Response time $t_A$ (line-line)	$\leq 1$ ns
Response time $t_A$ (line-earth)	$\leq 100$ ns
Response time $t_A$ (line-signal ground)	$\leq 1$ ns
Input attenuation aE, asym.	0.1 dB ( $\leq 700$ kHz)
	0.1 dB ( $\leq 50$ kHz)
Cut-off frequency $f_g$ (3 dB), asym. (signal ground) in 50 $\Omega$ system	typ. 4 MHz
Cut-off frequency $f_g$ (3 dB), asym. (signal ground) in 600 $\Omega$ system	typ. 300 kHz
Impulse durability (line-line)	C1 - 500 V / 250 A
Impulse durability (line-earth)	C1 - 500 V / 250 A
	C3 - 25 A

## Environmental and real-life conditions

### Ambient conditions

Degree of protection	IP20
Ambient temperature (operation)	-40 °C ... 60 °C

## Standards and regulations

VDE requirement class	C1
	C3

### Standards Information technology specification

Standards/regulations	IEC 61643-21
	IEC 61643-21

### Air clearances and creepage distances

Standards/regulations	VDE 0110-1 / IEC 60664-1
-----------------------	--------------------------

## Mounting

Mounting type	Direct assembly on the device interface
---------------	---

# D-UFB-V24/8-BS-S - Surge protection device

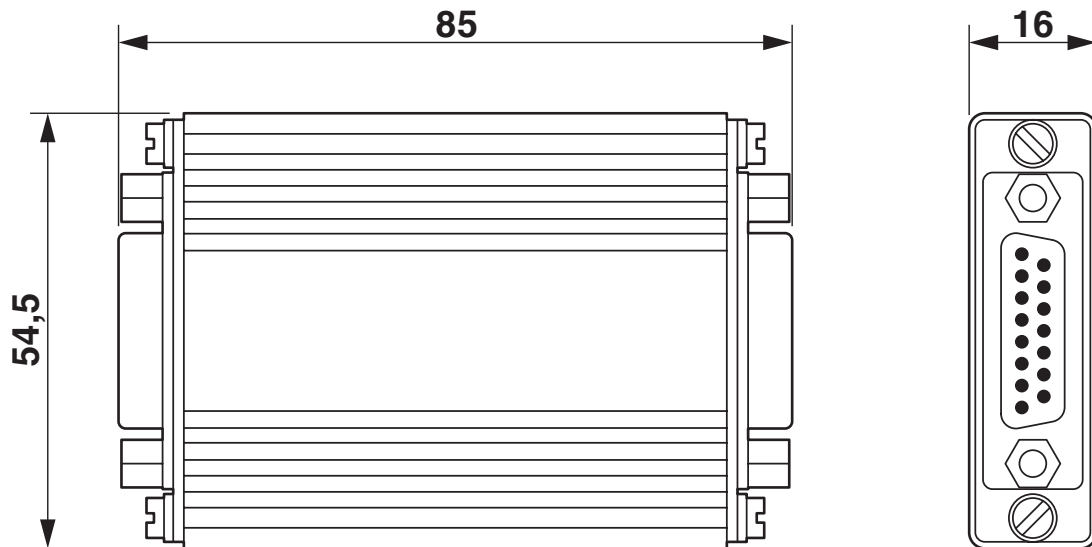
2782119

<https://www.phoenixcontact.com/us/products/2782119>

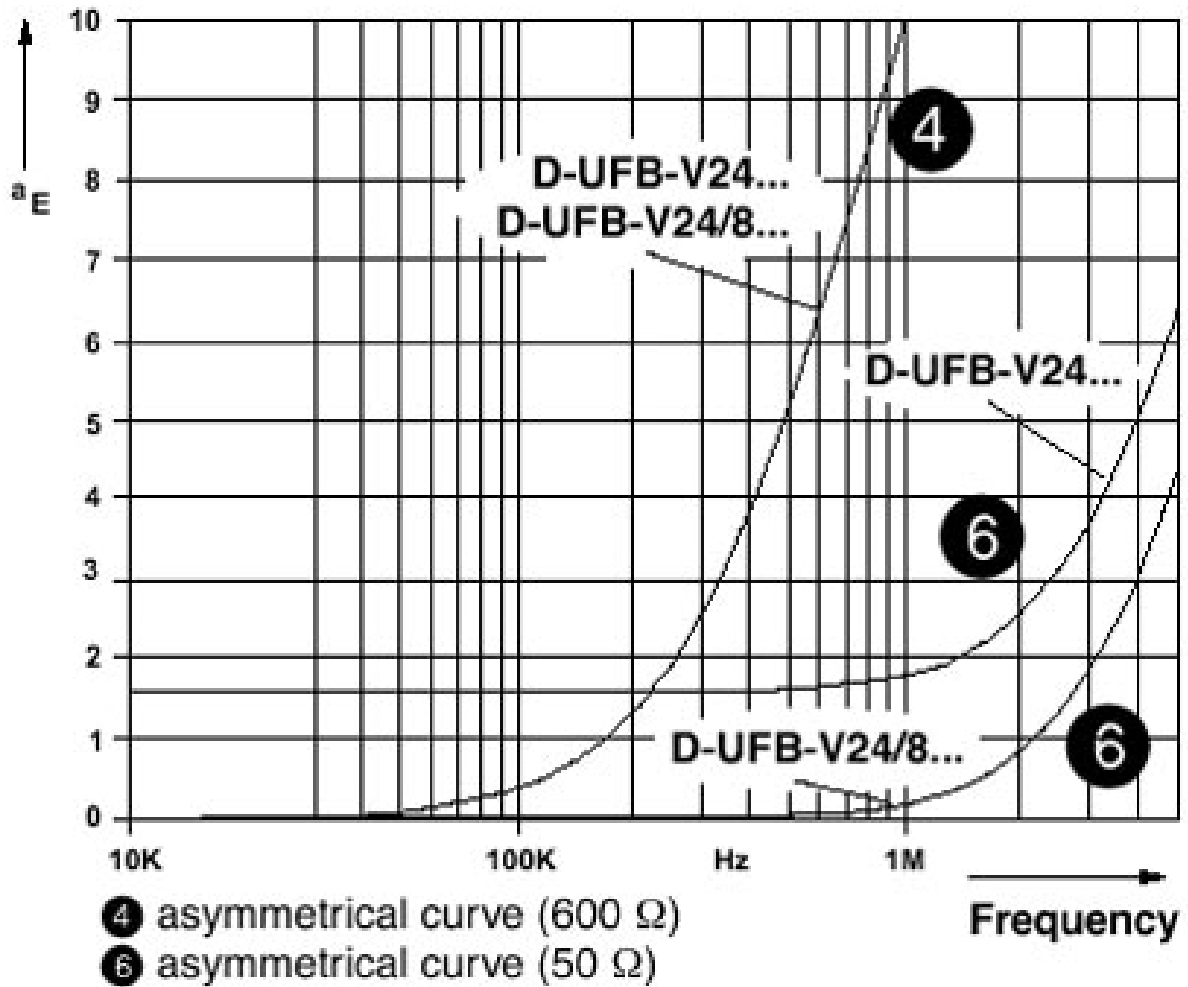


## Drawings

Dimensional drawing



Diagram



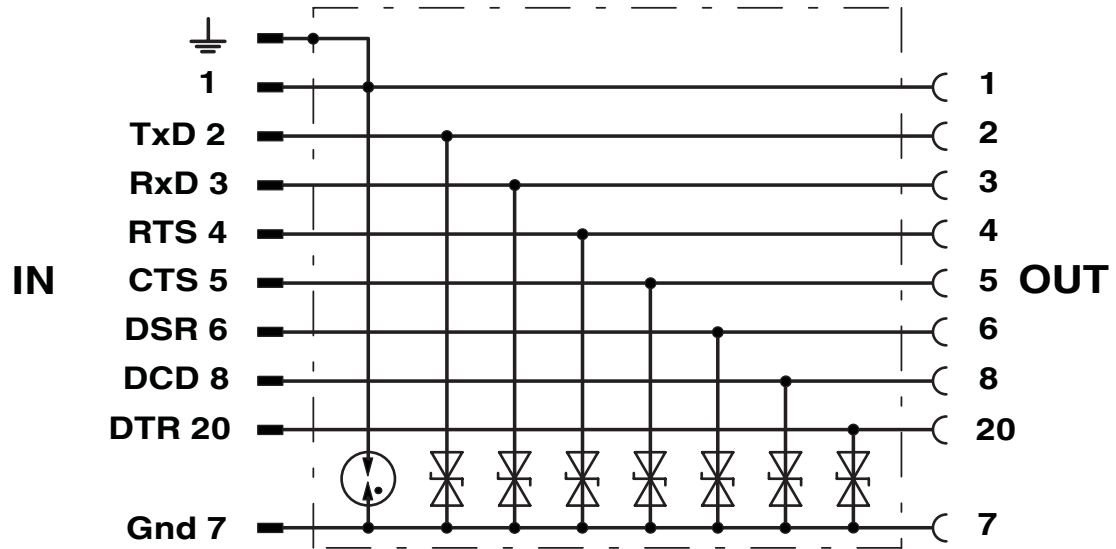
# D-UFB-V24/8-BS-S - Surge protection device



2782119

<https://www.phoenixcontact.com/us/products/2782119>

Circuit diagram



# D-UFB-V24/8-BS-S - Surge protection device



2782119

<https://www.phoenixcontact.com/us/products/2782119>

## Environmental product compliance

EU REACH SVHC

REACH candidate substance (CAS No.)	
-------------------------------------	--

	No substance above 0.1 wt%
--	----------------------------

Phoenix Contact 2026 © - all rights reserved

<https://www.phoenixcontact.com>

Phoenix Contact USA  
586 Fulling Mill Road  
Middletown, PA 17057, United States  
(+717) 944-1300  
[info@phoenixcon.com](mailto:info@phoenixcon.com)