

D-UFB-V24/8-SB-B - Surge protection device

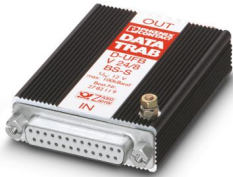


2782096

<https://www.phoenixcontact.com/us/products/2782096>

Please be informed that the data shown in this PDF document is generated from our online catalog. Please find the complete data in the user documentation. Our general terms of use for downloads are valid.

Attachment plug with surge voltage fine protection for V.24 interface with handshake.
Connection: D-SUB-25 male/female plug, for installation in lines



The figure shows version D-UFB-V24/SB-S

Commercial data

Item number	2782096
Packing unit	1 pc
Note	Made to order (non-returnable)
Sales key	CL03
Product key	CL3113
GTIN	4017918069339
Weight per piece (including packing)	101 g
Weight per piece (excluding packing)	84.29 g
Customs tariff number	85363010
Country of origin	DE

D-UFB-V24/8-SB-B - Surge protection device

2782096

<https://www.phoenixcontact.com/us/products/2782096>

Technical data

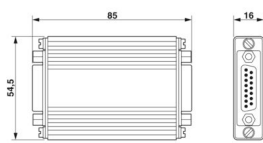
Product properties

IEC test classification	C1
	C3
VDE requirement class	C1
	C3
Type	Intermediate plug

Connection data

Connection method	D-SUB 25
-------------------	----------

Dimensions

Dimensional drawing	
Width	24.5 mm
Height	54.5 mm
Length	84.6 mm

Material specifications

Housing material	Aluminum
------------------	----------

Mechanical properties

Mechanical data

Open side panel	No
-----------------	----

Protective circuit

Direction of action	Line-Line & Line-Signal Ground/Shield & Signal Ground/Shield-Earth Ground
Maximum continuous operating voltage U_C	15 V DC
Maximum continuous voltage U_C (line-signal ground)	15 V DC
Nominal current I_N	1 A (60 °C)
Operating effective current I_C at U_C	$\leq 5 \mu A$
Protective conductor current I_{PE}	$\leq 1 \mu A$
Nominal discharge current I_n (8/20) μs (line-line)	300 A
Nominal discharge current I_n (8/20) μs (line-ground)	300 A
Nominal discharge current I_n (8/20) μs (line-signal ground)	300 A
Nominal discharge current I_n (8/20) μs (signal ground-earth)	5 kA
Total surge current (8/20) μs	5 kA
Max. discharge current I_{max} (8/20) μs maximum (line-earth)	300 A

D-UFB-V24/8-SB-B - Surge protection device



2782096

<https://www.phoenixcontact.com/us/products/2782096>

Nominal pulse current I_{an} (10/1000) μ s (line-earth)	59 A
Output voltage limitation at 1 kV/ μ s (line-earth) spike	\leq 600 V
Output voltage limitation at 1 kV/ μ s (line-signal ground) spike	\leq 22 V
Output voltage limitation at 1 kV/ μ s (line-shield) spike	\leq 22 V
Output voltage limitation at 1 kV/ μ s (line-earth) static	\leq 600 V
Output voltage limitation at 1 kV/ μ s (line-signal ground) static	\leq 22 V
Residual voltage at I_n (line-signal ground)	\leq 28 V
Residual voltage with I_{an} (10/1000) μ s (line-signal ground)	\leq 25 V
Voltage protection level U_p (line-earth)	\leq 600 V
Voltage protection level U_p (line-signal ground)	\leq 28 V
Response time t_A (line-line)	\leq 1 ns
Response time t_A (line-earth)	\leq 100 ns
Response time t_A (line-signal ground)	\leq 1 ns
Input attenuation aE, asym.	0.1 dB (\leq 700 kHz)
	0.1 dB (\leq 50 kHz)
Cut-off frequency f_g (3 dB), asym. (signal ground) in 50 Ω system	typ. 4 MHz
Cut-off frequency f_g (3 dB), asym. (signal ground) in 600 Ω system	typ. 300 kHz
Impulse durability (line-line)	C1 - 500 V / 250 A
Impulse durability (line-earth)	C1 - 500 V / 250 A
	C3 - 25 A

Environmental and real-life conditions

Ambient conditions

Degree of protection	IP20
Ambient temperature (operation)	-40 °C ... 60 °C

Standards and regulations

VDE requirement class	C1
	C3

Standards Information technology specification

Standards/regulations	IEC 61643-21
	IEC 61643-21

Air clearances and creepage distances

Standards/regulations	VDE 0110-1 / IEC 60664-1
-----------------------	--------------------------

Mounting

Mounting type	Connection-specific intermediate plugging
---------------	---

D-UFB-V24/8-SB-B - Surge protection device

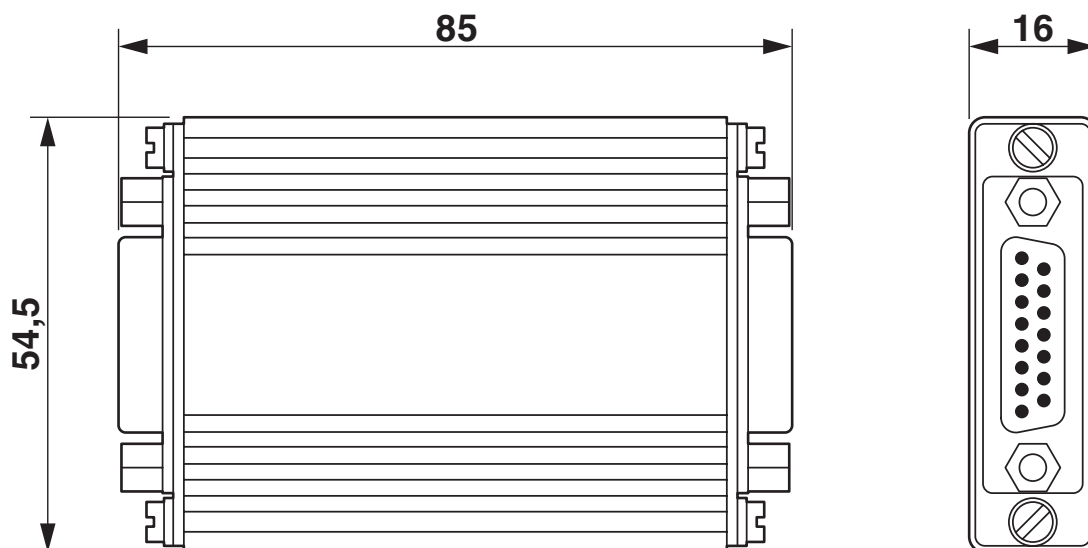
2782096

<https://www.phoenixcontact.com/us/products/2782096>

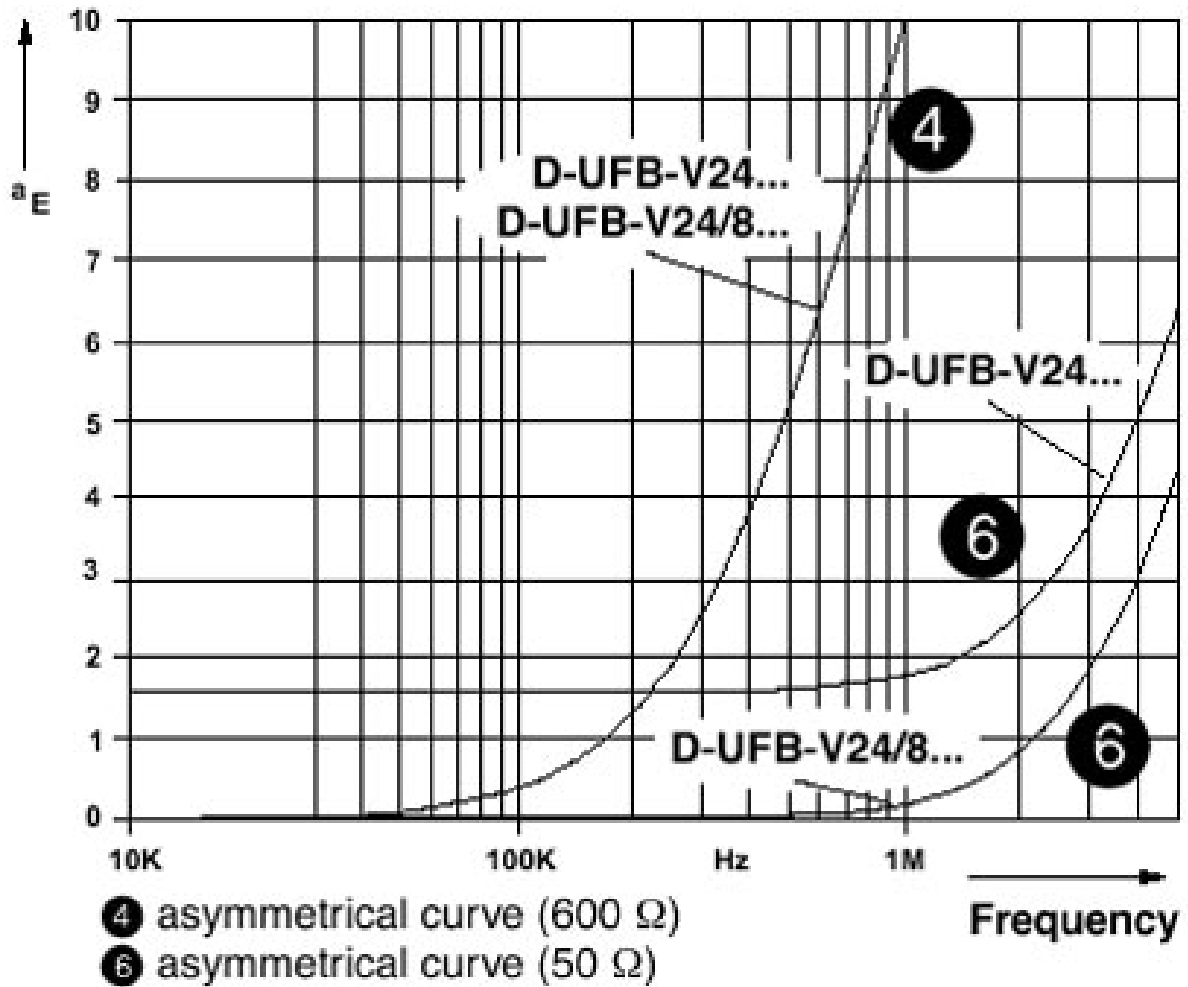


Drawings

Dimensional drawing



Diagram



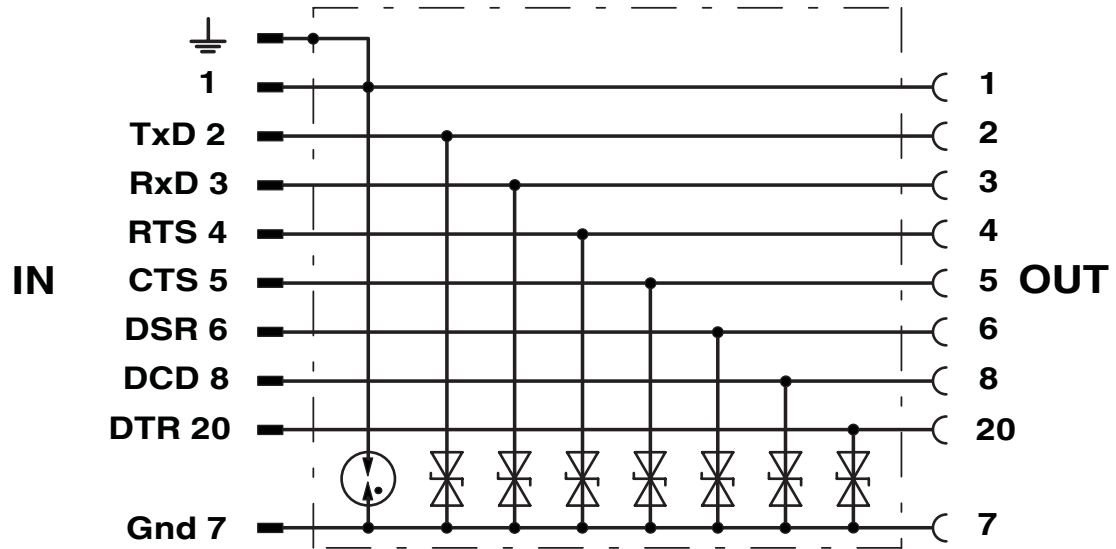
D-UFB-V24/8-SB-B - Surge protection device



2782096

<https://www.phoenixcontact.com/us/products/2782096>

Circuit diagram



D-UFB-V24/8-SB-B - Surge protection device



2782096

<https://www.phoenixcontact.com/us/products/2782096>

Environmental product compliance

EU REACH SVHC

REACH candidate substance (CAS No.)	
-------------------------------------	--

	No substance above 0.1 wt%
--	----------------------------

Phoenix Contact 2026 © - all rights reserved

<https://www.phoenixcontact.com>

Phoenix Contact USA
586 Fulling Mill Road
Middletown, PA 17057, United States
(+717) 944-1300
info@phoenixcon.com