

D-UFB-V24/BS-S - Surge protection device



2782041

<https://www.phoenixcontact.com/us/products/2782041>

Please be informed that the data shown in this PDF document is generated from our online catalog. Please find the complete data in the user documentation. Our general terms of use for downloads are valid.

Attachment plug with surge protection for V.24 interface. Connection: D-SUB-25 socket/plug, for direct assembly on the device interface



The figure shows version D-UFB-V24/SB-B

Commercial data

Item number	2782041
Packing unit	1 pc
Note	Made to order (non-returnable)
Sales key	CL03
Product key	CL3113
GTIN	4017918069285
Weight per piece (including packing)	110.6 g
Weight per piece (excluding packing)	1.11 g
Customs tariff number	85363010
Country of origin	DE

D-UFB-V24/BS-S - Surge protection device



2782041

<https://www.phoenixcontact.com/us/products/2782041>

Technical data

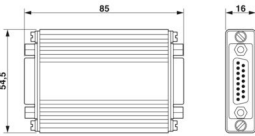
Product properties

IEC test classification	C2
	C3
VDE requirement class	C2
	C3
Type	Intermediate plug

Connection data

Connection method	D-SUB 25
-------------------	----------

Dimensions

Dimensional drawing	
Width	24.5 mm
Height	54.5 mm
Length	84.6 mm

Material specifications

Housing material	Aluminum
------------------	----------

Mechanical properties

Mechanical data

Open side panel	No
-----------------	----

Protective circuit

Direction of action	Line-Line & Line-Signal Ground/Shield & Signal Ground/Shield-Earth Ground
Maximum continuous voltage U_C (line-earth)	15 V DC
Nominal current I_N	260 mA (25 °C)
Operating effective current I_C at U_C	$\leq 6 \mu\text{A}$
Nominal discharge current I_n (8/20) μs (line-ground)	5 kA
Output voltage limitation at 1 kV/ μs (line-earth) spike	$\leq 600 \text{ V}$
Output voltage limitation at 1 kV/ μs (line-shield) spike	$\leq 24 \text{ V}$
Output voltage limitation at 1 kV/ μs (line-earth) static	$\leq 600 \text{ V}$
Output voltage limitation at 1 kV/ μs (line-signal ground) static	$\leq 24 \text{ V}$
Residual voltage at I_n (line-signal ground)	$\leq 21 \text{ V}$
Voltage protection level U_p (line-earth)	$\leq 600 \text{ V}$
Voltage protection level U_p (line-signal ground)	$\leq 24 \text{ V}$

D-UFB-V24/BS-S - Surge protection device



2782041

<https://www.phoenixcontact.com/us/products/2782041>

Response time t_A (line-earth)	≤ 100 ns
Response time t_A (line-signal ground)	≤ 1 ns
Cut-off frequency f_g (3 dB), asym. (signal ground) in 50 Ω system	3.5 MHz (typical)
Cut-off frequency f_g (3 dB), asym. (signal ground) in 600 Ω system	300 kHz (typical)
Resistance per path	20 Ω (Path 2-2)
	20 Ω (Path 3-3)

Environmental and real-life conditions

Ambient conditions

Degree of protection	IP20
Ambient temperature (operation)	-40 °C ... 60 °C

Standards and regulations

VDE requirement class	C2
	C3

Standards Information technology specification

Standards/regulations	IEC 61643-21
	IEC 61643-21

Mounting

Mounting type	Direct assembly on the device interface
---------------	---

D-UFB-V24/BS-S - Surge protection device

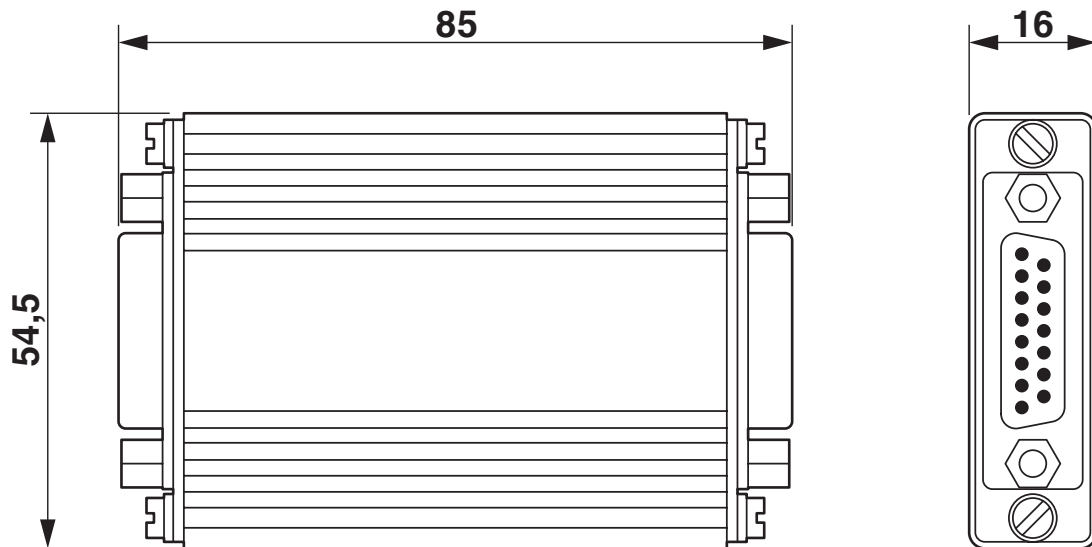
2782041

<https://www.phoenixcontact.com/us/products/2782041>

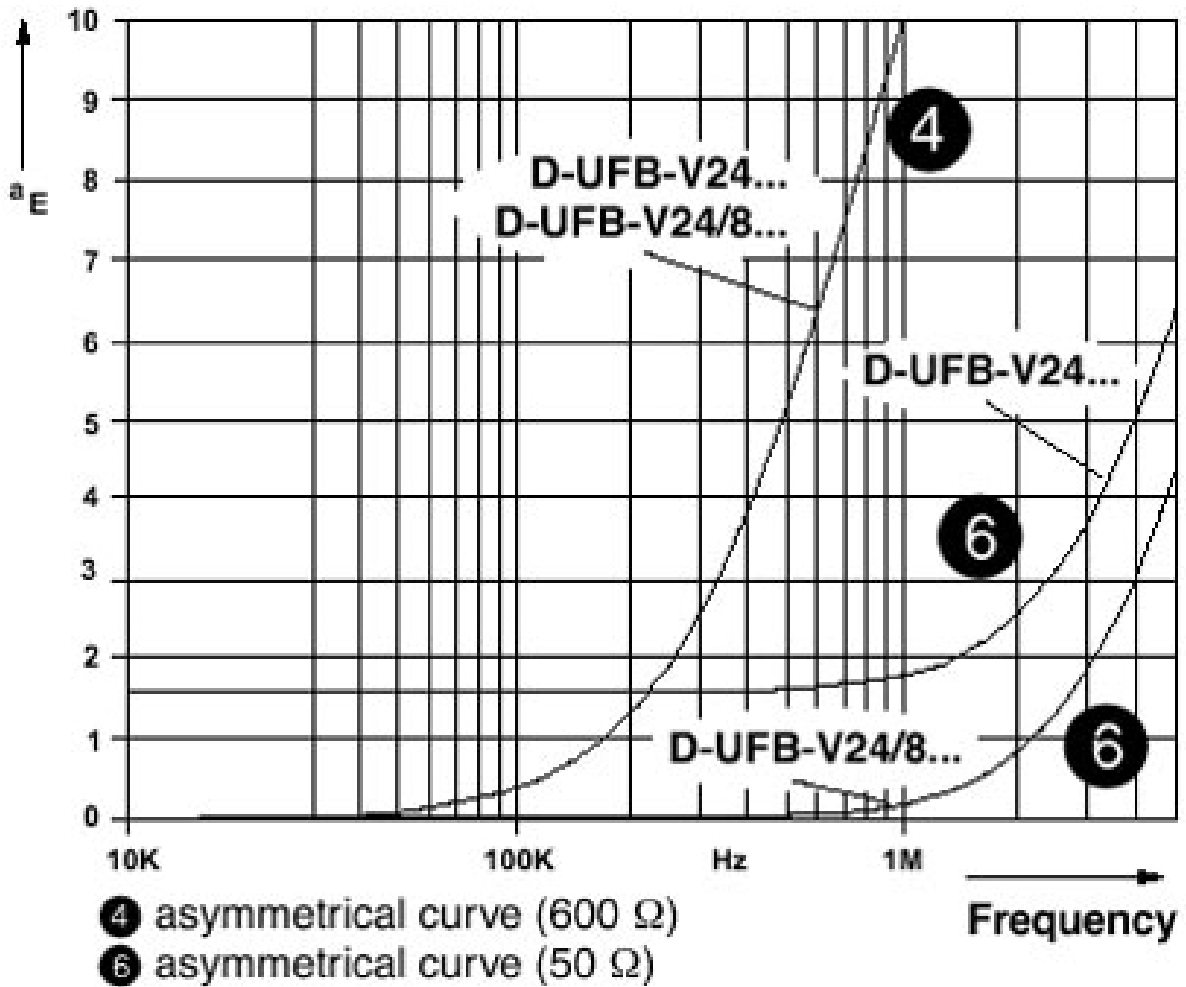


Drawings

Dimensional drawing



Diagram



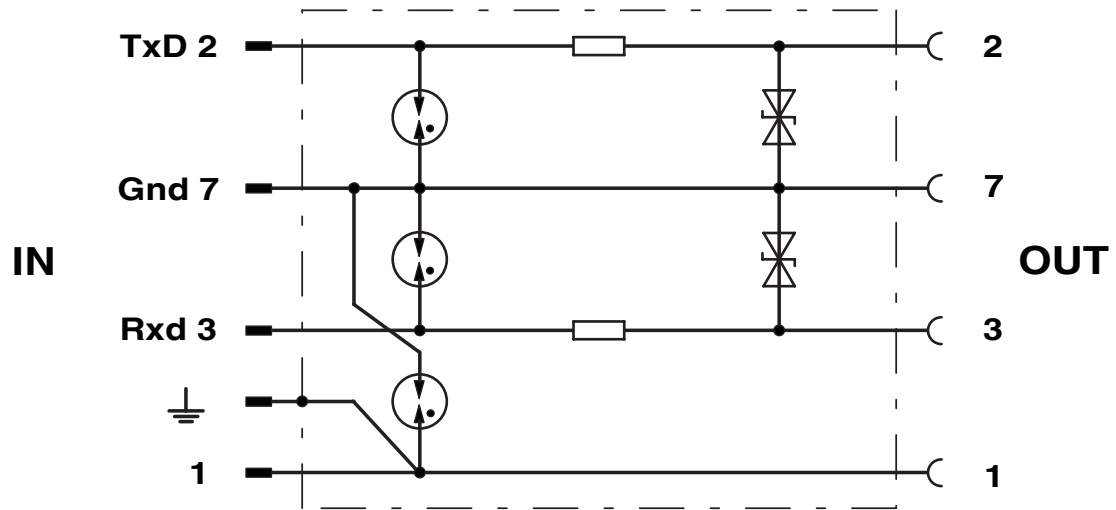
D-UFB-V24/BS-S - Surge protection device



2782041

<https://www.phoenixcontact.com/us/products/2782041>

Circuit diagram



D-UFB-V24/BS-S - Surge protection device



2782041

<https://www.phoenixcontact.com/us/products/2782041>

Environmental product compliance

EU REACH SVHC

REACH candidate substance (CAS No.)	No substance above 0.1 wt%
-------------------------------------	----------------------------

Phoenix Contact 2026 © - all rights reserved

<https://www.phoenixcontact.com>

Phoenix Contact USA
586 Fulling Mill Road
Middletown, PA 17057, United States
(+717) 944-1300
info@phoenixcon.com