

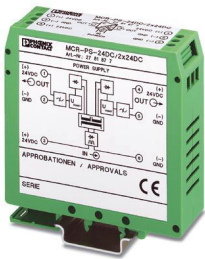
MCR-PS- 24DC/2X24DC - Auxiliary contactor



2781877

<https://www.phoenixcontact.com/us/products/2781877>

Please be informed that the data shown in this PDF document is generated from our online catalog. Please find the complete data in the user documentation. Our general terms of use for downloads are valid.



DC/DC converter, with galvanic isolation of outputs, input 24 V DC, output 2 x 24 V DC/2 x 30 mA

Commercial data

Item number	2781877
Packing unit	1 pc
Minimum order quantity	1 pc
Sales key	CM02
Product key	CMDL43
GTIN	4017918069247
Weight per piece (including packing)	102.88 g
Weight per piece (excluding packing)	97 g
Customs tariff number	85044095
Country of origin	VN

MCR-PS- 24DC/2X24DC - Auxiliary contactor



2781877

<https://www.phoenixcontact.com/us/products/2781877>

Technical data

Input data

Input voltage	24 V DC \pm 10 %
Nominal input voltage range	24 V DC
Input voltage range	21.6 V DC ... 26.4 V DC
Wide-range input	yes
Voltage type of supply voltage	DC
Current consumption	approx. 100 mA

Output data

Nominal output voltage	24 V DC (2x)
Nominal output current (I_N)	30 mA (2x)
Residual ripple	\leq 50 mV _{PP}
Short-circuit-proof	yes
Output power	1.5 W

Connection data

Input

Connection method	Screw connection
Conductor cross-section, rigid min.	0.2 mm ²
Conductor cross-section, rigid max.	2.5 mm ²
Conductor cross-section flexible min.	0.2 mm ²
Conductor cross-section flexible max.	2.5 mm ²
Conductor cross-section AWG min.	24
Conductor cross-section AWG max.	14
Stripping length	8 mm
Screw thread	M3

Output

Connection method	Screw connection
Conductor cross-section, rigid min.	0.2 mm ²
Conductor cross-section, rigid max.	2.5 mm ²
Conductor cross-section flexible min.	0.2 mm ²
Conductor cross-section flexible max.	2.5 mm ²
Conductor cross-section AWG min.	24
Conductor cross-section AWG max.	14
Stripping length	8 mm

Electrical properties

Number of phases	1
Test voltage output/output	1.5 kV AC
Test voltage input/output	2.5 kV AC

MCR-PS- 24DC/2X24DC - Auxiliary contactor



2781877

<https://www.phoenixcontact.com/us/products/2781877>

Product properties

Product type	DC/DC converters
Operating mode	100% operating factor

Dimensions

Width	25 mm
Height	85.5 mm
Depth	79 mm

Mounting

Assembly note	any
Mounting position	any
With protective coating	no

Material specifications

Housing material	Plastic
------------------	---------

Environmental and real-life conditions

Ambient conditions

Degree of protection	IP20
Ambient temperature (operation)	0 °C ... 55 °C

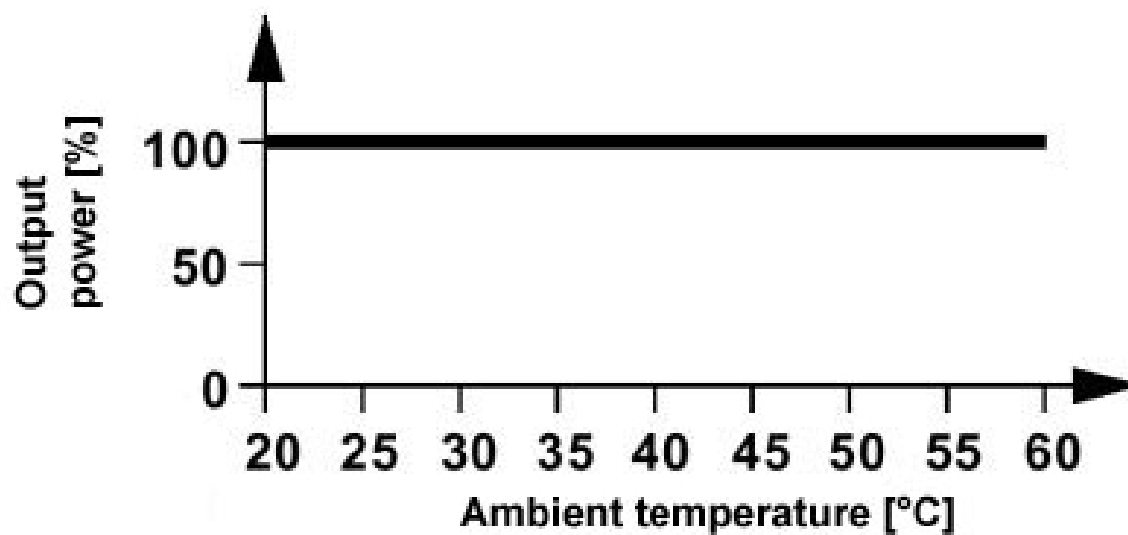
Standards and regulations

Standards

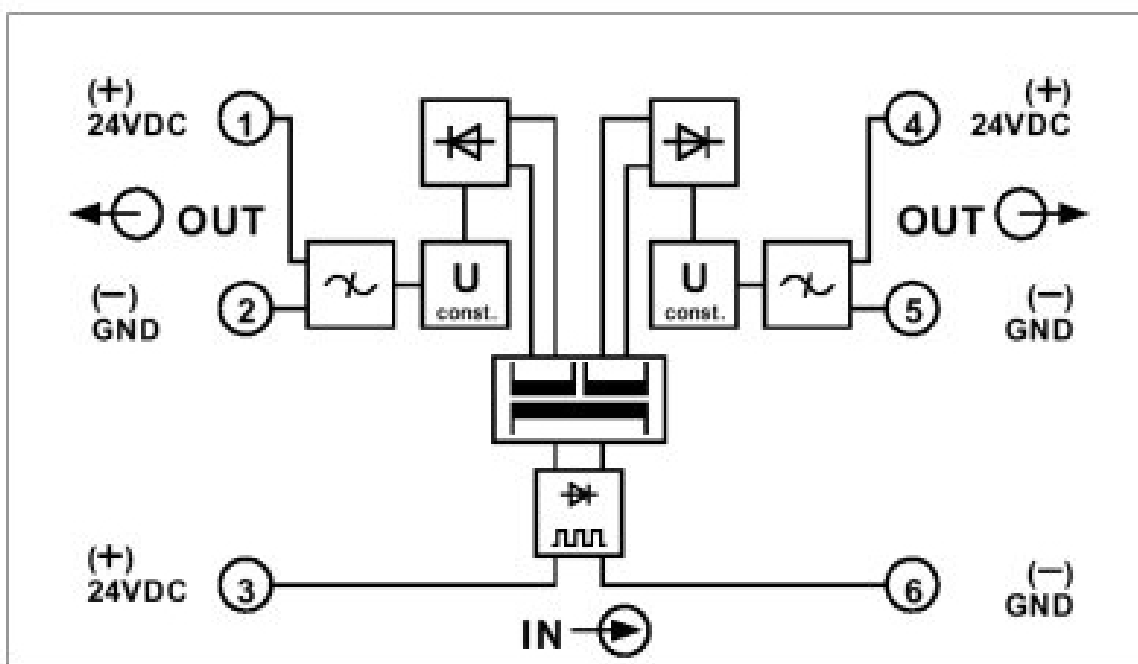
Standards/regulations	IEC 664
	IEC 664 A
	DIN VDE 0110-1

Drawings

Diagram



Circuit diagram



MCR-PS- 24DC/2X24DC - Auxiliary contactor



2781877

<https://www.phoenixcontact.com/us/products/2781877>

Classifications

ECLASS

ECLASS-13.0	27040701
ECLASS-15.0	27040701

ETIM

ETIM 10.0	EC002540
-----------	----------

UNSPSC

UNSPSC 21.0	39121000
-------------	----------

MCR-PS- 24DC/2X24DC - Auxiliary contactor



2781877

<https://www.phoenixcontact.com/us/products/2781877>

Environmental product compliance

EU RoHS

Fulfills EU RoHS substance requirements	Yes
Exemption	6(c), 7(c)-I

China RoHS

Environment friendly use period (EFUP)	EFUP-25
	An article-related China RoHS declaration table can be found in the download area for the respective article under "Manufacturer declaration". For all articles with EFUP-E, no China RoHS declaration table issued and required.

EU REACH SVHC

REACH candidate substance (CAS No.)	Lead(CAS: 7439-92-1)
SCIP	aee9c14b-44ff-4e2b-865e-9dad77ce7258

Phoenix Contact 2026 © - all rights reserved

<https://www.phoenixcontact.com>

Phoenix Contact USA
586 Fulling Mill Road
Middletown, PA 17057, United States
(+717) 944-1300
info@phoenixcon.com