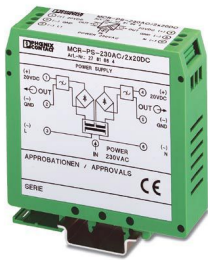


MCR-PS-230AC/2X20DC - Converter

2781864

<https://www.phoenixcontact.com/us/products/2781864>

Please be informed that the data shown in this PDF document is generated from our online catalog. Please find the complete data in the user documentation. Our general terms of use for downloads are valid.



Power supply unit, with fixed-voltage regulator, input 230 V AC, output 2 x 20 V DC/2 x 25 mA

Commercial data

| | |
|--------------------------------------|--------------------------------|
| Item number | 2781864 |
| Packing unit | 1 pc |
| Note | Made to order (non-returnable) |
| Sales key | NULL |
| Product key | CMPL13 |
| GTIN | 4017918069230 |
| Weight per piece (including packing) | 295 g |
| Weight per piece (excluding packing) | 295 g |
| Customs tariff number | 85044082 |
| Country of origin | DE |

MCR-PS-230AC/2X20DC - Converter



2781864

<https://www.phoenixcontact.com/us/products/2781864>

Technical data

Input data

| | |
|--------------------------------|---------------------|
| Input voltage | 230 V AC +10 % -5 % |
| Voltage type of supply voltage | AC |
| AC frequency range | 50 Hz ... 60 Hz |
| Current consumption | approx. 11 mA |

Output data

| | |
|----------------------------------|--|
| Number of outputs | 2 |
| Nominal output voltage | 20 V DC (per output) |
| Nominal output current (I_N) | 25 mA (per output) |
| Residual ripple | < 50 mV _{PP} (at $U_N = 24$ V AC) |

Connection data

Input

| | |
|---------------------------------------|---------------------|
| Connection method | Screw connection |
| Conductor cross-section, rigid min. | 0.2 mm ² |
| Conductor cross-section, rigid max. | 2.5 mm ² |
| Conductor cross-section flexible min. | 0.2 mm ² |
| Conductor cross-section flexible max. | 2.5 mm ² |
| Conductor cross-section AWG min. | 24 |
| Conductor cross-section AWG max. | 14 |
| Stripping length | 8 mm |
| Screw thread | M3 |

Output

| | |
|---------------------------------------|---------------------|
| Connection method | Screw connection |
| Conductor cross-section, rigid min. | 0.2 mm ² |
| Conductor cross-section, rigid max. | 2.5 mm ² |
| Conductor cross-section flexible min. | 0.2 mm ² |
| Conductor cross-section flexible max. | 2.5 mm ² |
| Conductor cross-section AWG min. | 24 |
| Conductor cross-section AWG max. | 14 |
| Stripping length | 8 mm |
| Screw thread | M3 |

Electrical properties

| | |
|----------------------------|-----------|
| Number of phases | 1 |
| Test voltage output/output | 4 kV AC |
| Test voltage input/output | 2.5 kV AC |

Product properties

| | |
|--------------|--------------|
| Product type | Power supply |
|--------------|--------------|

MCR-PS-230AC/2X20DC - Converter



2781864

<https://www.phoenixcontact.com/us/products/2781864>

| | |
|----------------|-----------------------|
| Operating mode | 100% operating factor |
|----------------|-----------------------|

Dimensions

| | |
|------------------|----------|
| Width | 25 mm |
| Height | 85.5 mm |
| Depth | 79 mm |
| Horizontal pitch | 1.4 Div. |

Mounting

| | |
|-------------------|-----|
| Assembly note | any |
| Mounting position | any |

Environmental and real-life conditions

Ambient conditions

| | |
|---------------------------------|----------------|
| Degree of protection | IP20 |
| Ambient temperature (operation) | 0 °C ... 60 °C |

Standards and regulations

Standards

| | |
|-----------------------|----------------|
| Standards/regulations | IEC 664 |
| | IEC 664 A |
| | DIN VDE 0110-1 |
| | DIN VDE 0551 |

MCR-PS-230AC/2X20DC - Converter

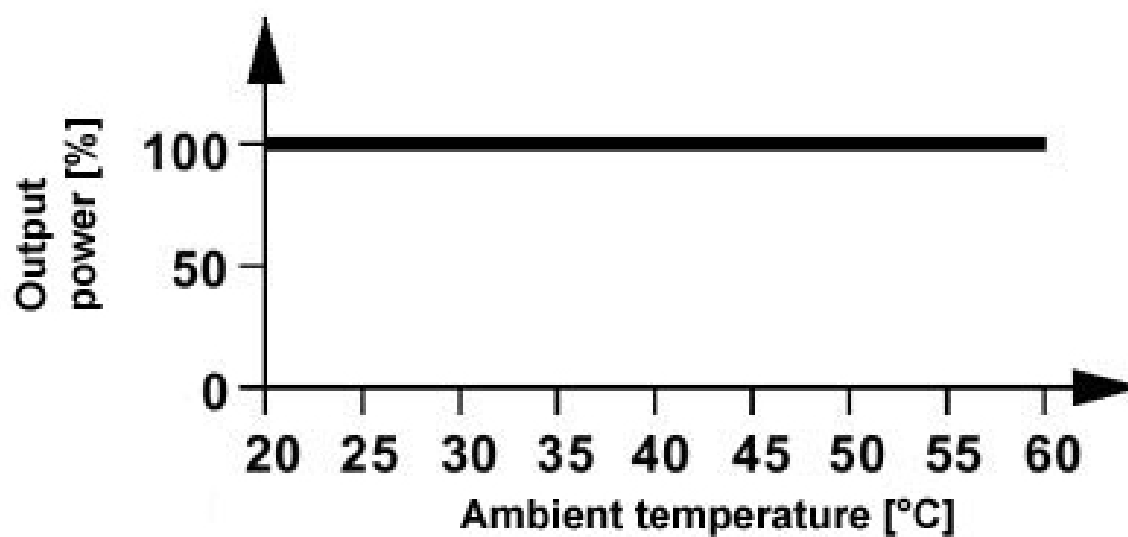
2781864

<https://www.phoenixcontact.com/us/products/2781864>



Drawings

Diagram

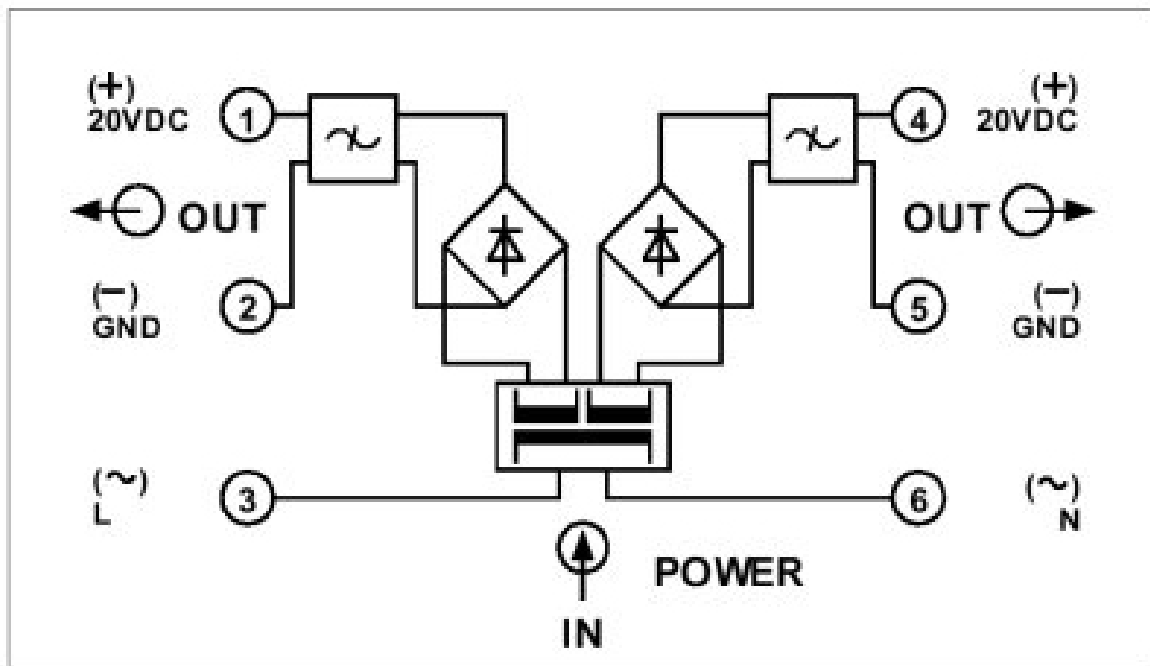


MCR-PS-230AC/2X20DC - Converter

2781864

<https://www.phoenixcontact.com/us/products/2781864>

Circuit diagram



MCR-PS-230AC/2X20DC - Converter



2781864

<https://www.phoenixcontact.com/us/products/2781864>

Environmental product compliance

EU REACH SVHC

| REACH candidate substance (CAS No.) | |
|-------------------------------------|--|
|-------------------------------------|--|

| | |
|--|----------------------------|
| | No substance above 0.1 wt% |
|--|----------------------------|

Phoenix Contact 2026 © - all rights reserved

<https://www.phoenixcontact.com>

Phoenix Contact USA
586 Fulling Mill Road
Middletown, PA 17057, United States
(+717) 944-1300
info@phoenixcon.com