

# UEGM-MSTB - Electronics housing

2781453

<https://www.phoenixcontact.com/us/products/2781453>

Please be informed that the data shown in this PDF document is generated from our online catalog. Please find the complete data in the user documentation. Our general terms of use for downloads are valid.

Electronic housing, for PCB insertion, with 12-pos. Combicon pin strip



## Commercial data

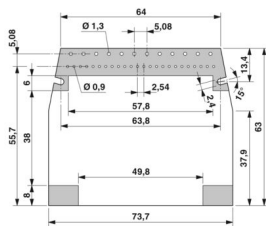
Item number	2781453
Packing unit	10 pc
Minimum order quantity	10 pc
Sales key	AC11
Product key	ACHCCC
GTIN	4017918068967
Weight per piece (including packing)	52.07 g
Weight per piece (excluding packing)	45.5 g
Customs tariff number	85366990
Country of origin	DE

## Technical data

### Product properties

Product type	Complete housing
Housing type	DIN rail housing
Housing type	Basic housing
Housing series	UEGM
Product family	UEGM-MSTB
Type	Connection system integrated, housing closed
Number of positions	12
Ventilation openings present	no

### Dimensions

Dimensional drawing	
Width	25 mm
Installed height	90.5 mm
Height NS 35/7,5	90.5 mm
Depth	79 mm
Length	79 mm

### Material specifications

Color (Housing)	green (RAL 6021)
Material Housing	PA
Flammability rating according to UL 94	V2

### Environmental and real-life conditions

#### Ambient conditions

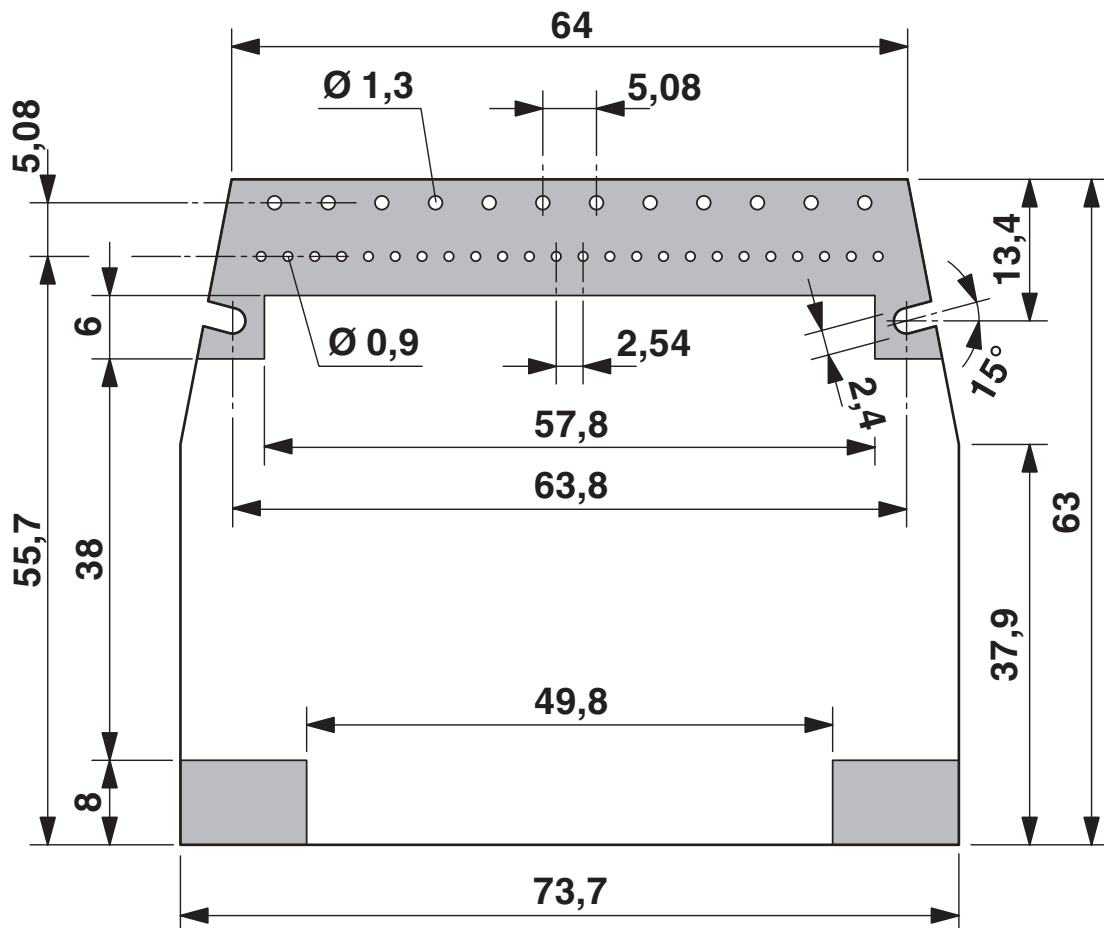
Ambient temperature (operation)	-40 °C ... 105 °C
---------------------------------	-------------------

### Mounting

Mounting type	DIN rail mounting
---------------	-------------------

## Drawings

Dimensional drawing



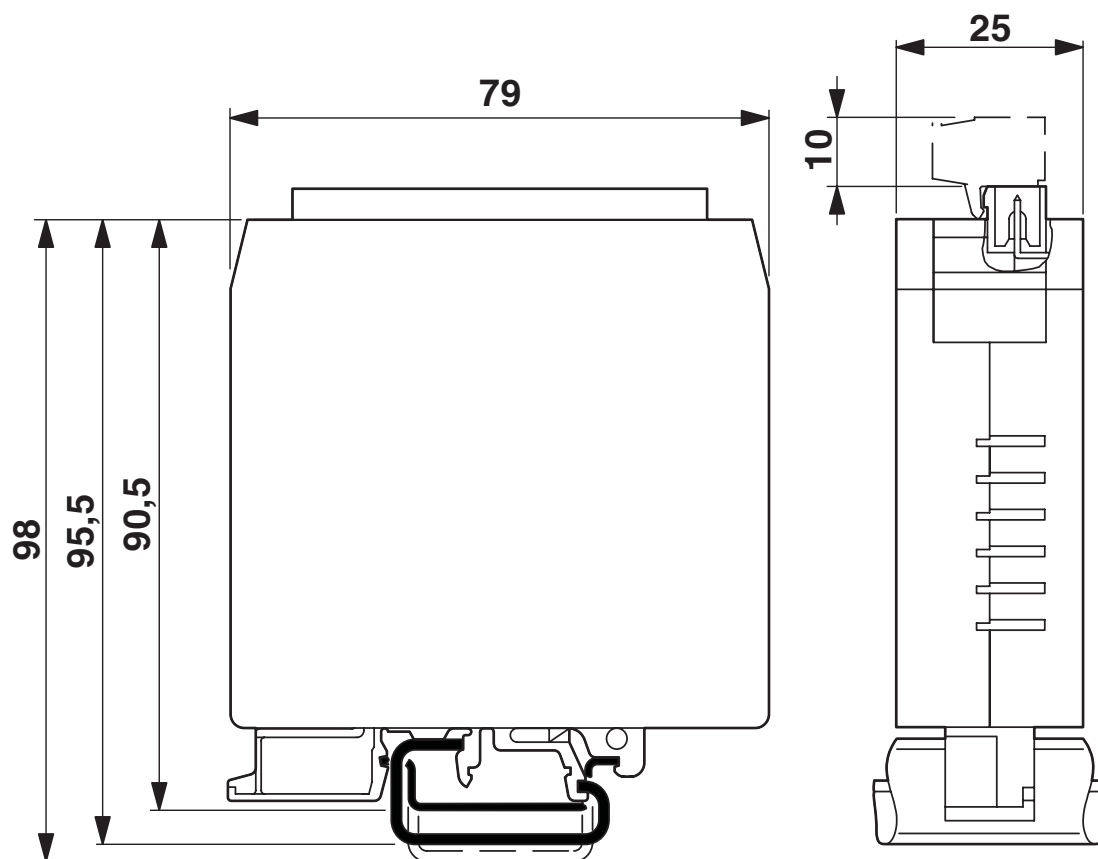
# UEGM-MSTB - Electronics housing

2781453

<https://www.phoenixcontact.com/us/products/2781453>



Dimensional drawing



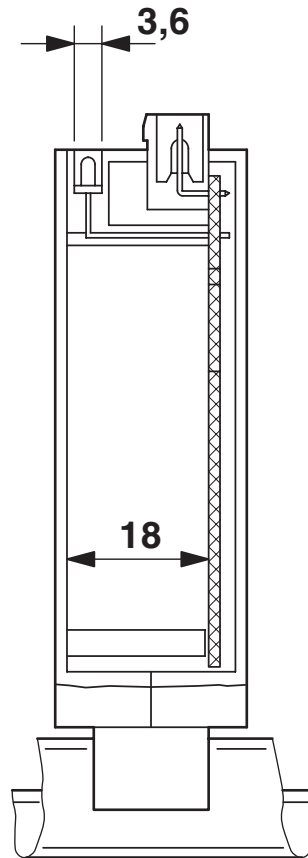
# UEGM-MSTB - Electronics housing

2781453

<https://www.phoenixcontact.com/us/products/2781453>

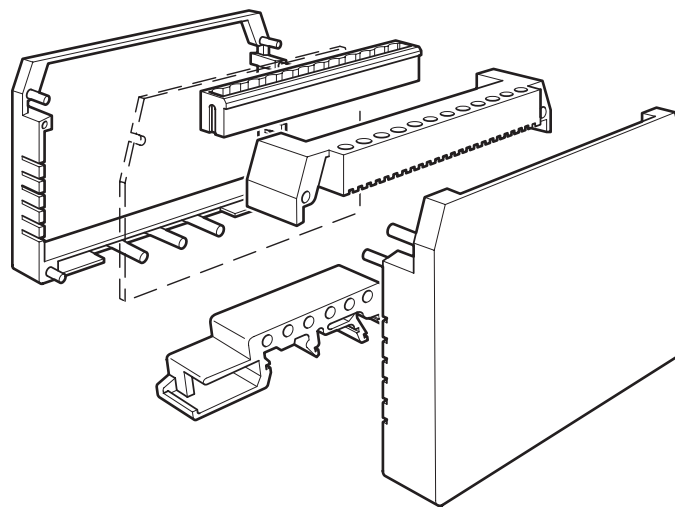


Dimensional drawing



Maximum height of the components on the PCB

Exploded view



# UEGM-MSTB - Electronics housing



2781453

<https://www.phoenixcontact.com/us/products/2781453>

## Approvals

To download certificates, visit the product detail page: <https://www.phoenixcontact.com/us/products/2781453>



**UL Recognized**

Approval ID: E240868

# UEGM-MSTB - Electronics housing



2781453

<https://www.phoenixcontact.com/us/products/2781453>

## Classifications

### ECLASS

ECLASS-13.0	27190301
ECLASS-15.0	27190301

### ETIM

ETIM 10.0	EC001031
-----------	----------

### UNSPSC

UNSPSC 21.0	31261500
-------------	----------

# UEGM-MSTB - Electronics housing



2781453

<https://www.phoenixcontact.com/us/products/2781453>

## Environmental product compliance

### EU RoHS

Fulfills EU RoHS substance requirements	Yes, No exemptions
---	--------------------

### China RoHS

Environment friendly use period (EFUP)	EFUP-E
	No hazardous substances above the limits

### EU REACH SVHC

REACH candidate substance (CAS No.)	No substance above 0.1 wt%
-------------------------------------	----------------------------

### EF3.1 Climate Change

CO2e kg	0.24 kg CO2e
---------	--------------

Phoenix Contact 2026 © - all rights reserved  
<https://www.phoenixcontact.com>

Phoenix Contact USA  
586 Fulling Mill Road  
Middletown, PA 17057, United States  
(+717) 944-1300  
[info@phoenixcon.com](mailto:info@phoenixcon.com)