

# RL PN 24-2 DI 16 2TX - Distributed I/O device



2773665

<https://www.phoenixcontact.com/us/products/2773665>

Please be informed that the data shown in this PDF document is generated from our online catalog. Please find the complete data in the user documentation. Our general terms of use for downloads are valid.



Digital input device for PROFINET, 100Base-TX, fast startup, supported protocols: SNMPv2, TFTP, LLDP and PDev for topology detection, 16 inputs (24 V DC), VARIOSUB push/pull connection method, rugged metal housing, degree of protection IP67

## Your advantages

- Rugged metal housing
- Comprehensive diagnostic functions
- Push/pull connector for supply voltage
- M12 connector for I/O devices
- Push/pull connector for PROFINET, either with fiber optic or twisted pair

## Commercial data

Item number	2773665
Packing unit	1 pc
Minimum order quantity	1 pc
Product key	DRI523
GTIN	4046356435987
Weight per piece (including packing)	1,282 g
Weight per piece (excluding packing)	1,180 g
Country of origin	DE

## Technical data

### Dimensions

Width	182.5 mm
Height	71.5 mm
Depth	79.8 mm
Note on dimensions	without male connectors, with mounting panel

### Interfaces

#### PROFINET

No. of channels	2
Connection method	VARIOSUB push-pull connectors
Designation connection point	Copper cable
Number of positions	4
Transmission speed	10/100 Mbps (auto negotiation)
Transmission physics	Twisted pair connection

### System properties

#### PROFINET

Device function	PROFINET device
Specification	PROFINET-IO RT, Spec. 2.1
Conformance Class	B

### Input data

#### Digital:

Input name	Digital inputs
Description of the input	IEC 61131-2 type 1
Number of inputs	16
Connection method	M12 connector
Connection technology	2-, 3-, 4-conductor
Nominal input voltage $U_{IN}$	24 V DC
Protective circuit	Electronic short-circuit/overload protection for each group; Reverse polarity protection

### Product properties

Product type	I/O component
Product family	Ruggedline
Type	Block design
No. of channels	16

### Electrical properties

Supply: Module electronics

# RL PN 24-2 DI 16 2TX - Distributed I/O device



2773665

<https://www.phoenixcontact.com/us/products/2773665>

Connection method	VARIOSUB push-pull connectors
Designation	US1
Supply voltage	24 V DC
Supply voltage range	18.5 V DC ... 30 V DC (including ripple)
Ripple	Max 3.6 V <sub>SS</sub> within the permissible voltage range

## Electrical isolation/isolation of the voltage ranges

Test voltage: Between bus logic and outputs	500 V AC, 50 Hz, 1 min
---	------------------------

## Connection data

Connection method	Push-Pull
-------------------	-----------

## Environmental and real-life conditions

### Ambient conditions

Ambient temperature (operation)	-20 °C ... 55 °C
Degree of protection	IP65/IP67
Note	Seal unused slots/connections to ensure the degree of protection.
Air pressure (operation)	860 hPa ... 1080 hPa (up to 1500 m above sea level)
Air pressure (storage/transport)	660 hPa ... 1080 hPa (up to 3500 m above sea level)
Ambient temperature (storage/transport)	-25 °C ... 85 °C
Permissible humidity (operation)	100 %
Permissible humidity (storage/transport)	95 % (non-condensing)

## Standards and regulations

Protection class	III (IEC 61140, EN 61140, VDE 0140-1)
------------------	---------------------------------------

## Mounting

Mounting type	Panel mounting
---------------	----------------

# RL PN 24-2 DI 16 2TX - Distributed I/O device

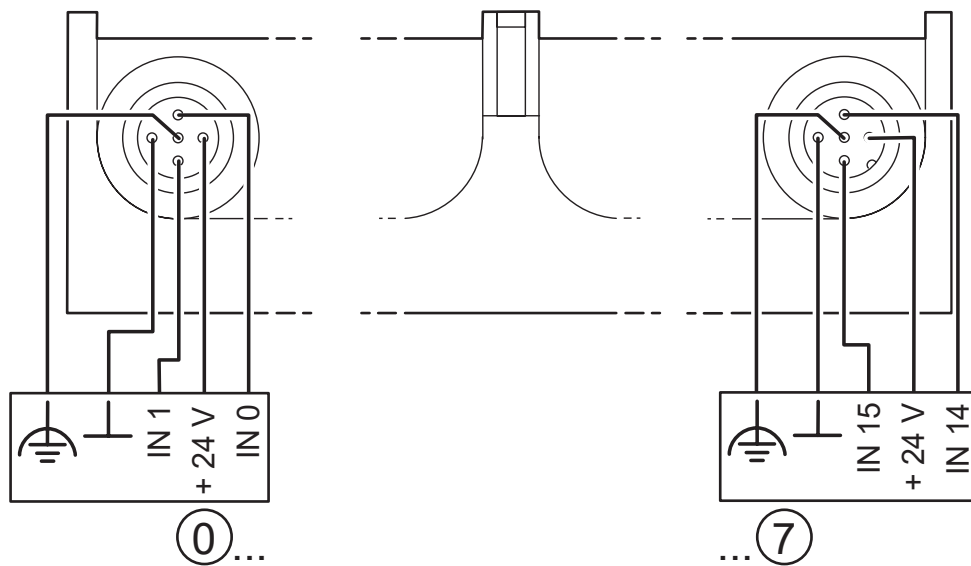


2773665

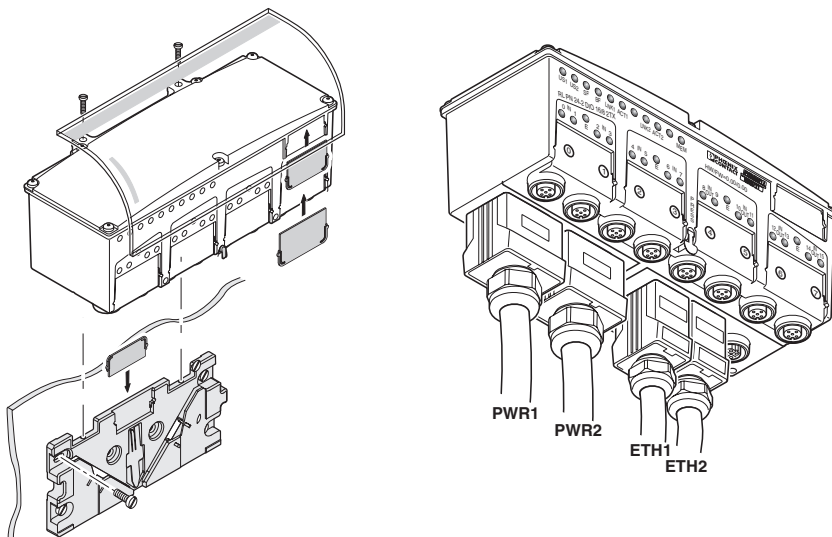
<https://www.phoenixcontact.com/us/products/2773665>

## Drawings

Connection diagram



Functional drawing



# RL PN 24-2 DI 16 2TX - Distributed I/O device



2773665

<https://www.phoenixcontact.com/us/products/2773665>

## Classifications

### UNSPSC

UNSPSC 21.0	32151600
-------------	----------

2773665

<https://www.phoenixcontact.com/us/products/2773665>

## Environmental product compliance

### EU RoHS

Fulfills EU RoHS substance requirements	Yes
Exemption	6(c), 7(a), 7(c)-I

### China RoHS

Environment friendly use period (EFUP)	EFUP-E
	No hazardous substances above the limits

### EU REACH SVHC

REACH candidate substance (CAS No.)	Lead(CAS: 7439-92-1)
-------------------------------------	----------------------

Phoenix Contact 2026 © - all rights reserved

<https://www.phoenixcontact.com>

Phoenix Contact USA  
586 Fulling Mill Road  
Middletown, PA 17057, United States  
(+717) 944-1300  
[info@phoenixcon.com](mailto:info@phoenixcon.com)