

RL PN 24-2 DIO 16/8 2TX - Distributed I/O device



2773652

<https://www.phoenixcontact.com/us/products/2773652>

Please be informed that the data shown in this PDF document is generated from our online catalog. Please find the complete data in the user documentation. Our general terms of use for downloads are valid.

Digital I/O device for PROFINET; 100Base-TX, fast startup, SNMPv2, TFTP, LLDP, PDev, eight inputs (24 V DC), eight configurable inputs or outputs (24 V DC, max. 0.5 A), VARIOSUB push/pull connection method, rugged metal housing, degree of protection IP67



Your advantages

- Rugged metal housing
- Comprehensive diagnostic functions
- Push/pull connector for PROFINET, either with fiber optic or twisted pair
- Push/pull connector for supply voltage
- M12 connector for I/O devices

Commercial data

Item number	2773652
Packing unit	1 pc
Sales key	DR03
Product key	DRI523
GTIN	4046356336642
Weight per piece (including packing)	1,289.7 g
Weight per piece (excluding packing)	1,180 g
Customs tariff number	85176200
Country of origin	DE

Technical data

Dimensions

Width	182.5 mm
Height	71.5 mm
Depth	79.8 mm
Note on dimensions	without male connectors, with mounting panel

Interfaces

PROFINET

No. of channels	2
Connection method	VARIOSUB push-pull connectors
Designation connection point	Copper cable
Number of positions	4
Transmission speed	10/100 Mbps (auto negotiation)
Transmission physics	Twisted pair connection

System properties

PROFINET

Device function	PROFINET device
Specification	PROFINET-IO RT, Spec. 2.1
Conformance Class	B

Input data

Digital:

Input name	Digital inputs
Description of the input	IEC 61131-2 type 1
Number of inputs	16 (8 fixed and 8 freely selectable)
Connection method	M12 connector
Connection technology	2-, 3-, 4-conductor
Nominal input voltage U_{IN}	24 V DC
Protective circuit	Electronic short-circuit/overload protection for each group; Reverse polarity protection

Output data

Digital:

Output name	Digital outputs
Connection method	M12 connector
Connection technology	2-, 3-conductor
Number of outputs	8 (Can also be used as an input)
Protective circuit	Electronic short-circuit/overload protection for each channel
Output voltage	24 V

2773652

<https://www.phoenixcontact.com/us/products/2773652>

Maximum output current per channel	500 mA
Nominal output voltage	24 V
Output voltage when switched off	max. 0.5 V
Output current when switched off	0 A
Nominal load, inductive	12 VA (1.2 H, 48 Ω)
Nominal load, lamp	12 W
Nominal load, ohmic	12 W
Maximum operating frequency with ohmic nominal load	300 Hz
Behavior with overload	Auto restart
Behavior with inductive overload	Output can be destroyed
Overcurrent shut-down	min. 0.7 A

Product properties

Product type	I/O component
Product family	Ruggedline
Type	Block design
No. of channels	16

Electrical properties

Supply: Module electronics

Connection method	VARIOSUB push-pull connectors
Designation	US1
Supply voltage	24 V DC
Supply voltage range	18.5 V DC ... 30 V DC (including ripple)
Ripple	Max 3.6 V _{SS} within the permissible voltage range

Electrical isolation/isolation of the voltage ranges

Test voltage: Between bus logic and outputs	500 V AC, 50 Hz, 1 min
---	------------------------

Connection data

Connection method	Push-Pull
-------------------	-----------

Environmental and real-life conditions

Ambient conditions

Ambient temperature (operation)	-20 °C ... 55 °C
Degree of protection	IP65/IP67
Note	Seal unused slots/connections to ensure the degree of protection.
Air pressure (operation)	860 hPa ... 1080 hPa (up to 1500 m above sea level)
Air pressure (storage/transport)	660 hPa ... 1080 hPa (up to 3500 m above sea level)
Ambient temperature (storage/transport)	-25 °C ... 85 °C
Permissible humidity (operation)	100 %
Permissible humidity (storage/transport)	95 % (non-condensing)

RL PN 24-2 DIO 16/8 2TX - Distributed I/O device



2773652

<https://www.phoenixcontact.com/us/products/2773652>

Standards and regulations

Protection class

III (IEC 61140, EN 61140, VDE 0140-1)

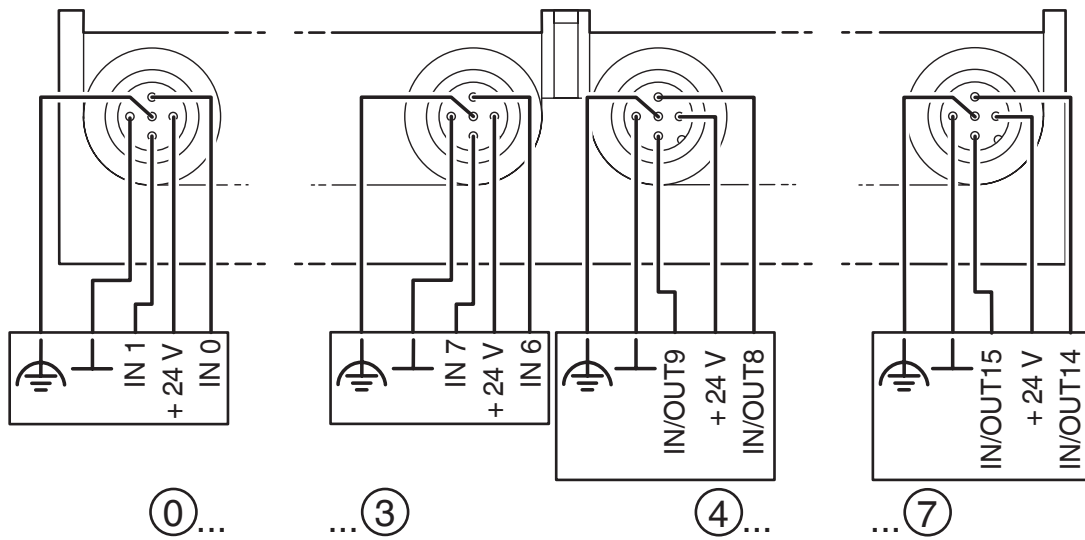
Mounting

Mounting type

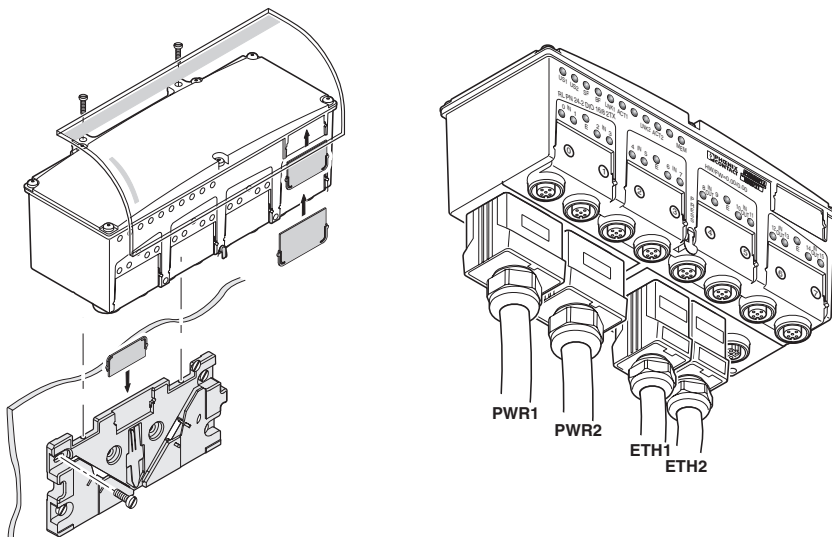
Panel mounting

Drawings

Connection diagram



Functional drawing



RL PN 24-2 DIO 16/8 2TX - Distributed I/O device



2773652

<https://www.phoenixcontact.com/us/products/2773652>

Classifications

UNSPSC

UNSPSC 21.0	32151600
-------------	----------

2773652

<https://www.phoenixcontact.com/us/products/2773652>

Environmental product compliance

EU RoHS

Fulfills EU RoHS substance requirements	Yes
Exemption	6(c), 7(a), 7(c)-I

China RoHS

Environment friendly use period (EFUP)	EFUP-E
	No hazardous substances above the limits

EU REACH SVHC

REACH candidate substance (CAS No.)	Lead(CAS: 7439-92-1)
-------------------------------------	----------------------

Phoenix Contact 2026 © - all rights reserved

<https://www.phoenixcontact.com>

Phoenix Contact USA
586 Fulling Mill Road
Middletown, PA 17057, United States
(+717) 944-1300
info@phoenixcon.com