

FLX ASI 3.0 DIO 4/4 M12-2A - Distributed I/O device



2773474

<https://www.phoenixcontact.com/us/products/2773474>

Please be informed that the data shown in this PDF document is generated from our online catalog. Please find the complete data in the user documentation. Our general terms of use for downloads are valid.



AS-i digital input/output module, AB slave, 4 digital inputs, 24 V DC, 2, 3 and 4-conductor connection method, 4 digital outputs, 24 V DC, IP67 protection

Product description

The digital Fieldline M12 AS-Interface input/output modules with IP67 housing protection make it possible to connect digital sensors and actuators to the AS-i using M12 plugs using the SPEEDCON connection method.

The modules are connected to AS-i using the flat-ribbon cable cable penetration technique.

Your advantages

- M12 connection technology with SPEEDCON fast locking system for the inputs and outputs
- Optimized for direct mounting and DIN rail mounting
- Tool-free connection to AS-Interface using penetration technique

Commercial data

Item number	2773474
Packing unit	1 pc
Note	Made to order (non-returnable)
Sales key	DR03
Product key	DRI634
GTIN	4046356178464
Weight per piece (including packing)	303.95 g
Weight per piece (excluding packing)	245 g
Customs tariff number	85176200
Country of origin	ID

FLX ASI 3.0 DIO 4/4 M12-2A - Distributed I/O device



2773474

<https://www.phoenixcontact.com/us/products/2773474>

Technical data

Dimensions

Width	58 mm
Height	150 mm
Depth	35 mm
Drill hole spacing	108 mm

Notes

Utilization restriction

EMC note	EMC: class A product, see manufacturer's declaration in the download area
----------	---

Material specifications

Color	black
-------	-------

Interfaces

AS-Interface

Connection method	Flat-ribbon cable penetration technique
Designation connection point	AS-i
Number of positions	4
Transmission speed	167 kbps

System properties

Programming data

ID code (dec.)	10
----------------	----

Input data

Digital:

Input name	Digital inputs
Description of the input	IEC 61131-2 Type 2
Number of inputs	4
Connection method	M12 connector
Connection technology	2-, 3-conductor

Output data

Digital:

Output name	Digital outputs
Connection method	M12 connector
Connection technology	2-conductor
Number of outputs	4
Maximum output current per channel	2 A

FLX ASI 3.0 DIO 4/4 M12-2A - Distributed I/O device



2773474

<https://www.phoenixcontact.com/us/products/2773474>

Maximum output current per module / terminal block	4 A
--	-----

Product properties

Product type	I/O component
Product family	Fieldline
Type	Block design
Mounting position	any
No. of channels	7

Connection data

Connection method	M12 connector
-------------------	---------------

Environmental and real-life conditions

Ambient conditions

Ambient temperature (operation)	-25 °C ... 70 °C
Degree of protection	IP65/IP67
Ambient temperature (storage/transport)	-25 °C ... 85 °C

Standards and regulations

Protection class	III (IEC 61140, EN 61140, VDE 0140-1)
------------------	---------------------------------------

Mounting

Mounting type	Screw on directly or on DIN rail
	Panel mounting
Mounting position	any

FLX ASI 3.0 DIO 4/4 M12-2A - Distributed I/O device

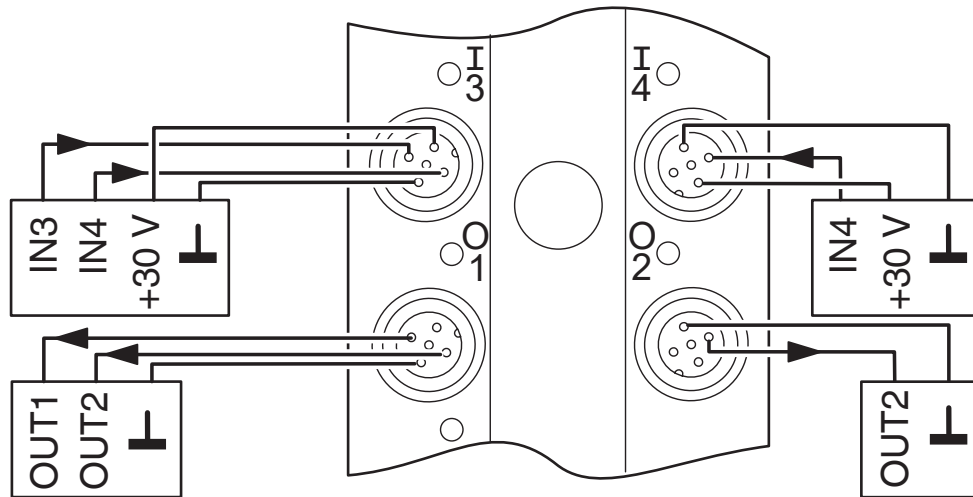


2773474

<https://www.phoenixcontact.com/us/products/2773474>

Drawings

Connection diagram



FLX ASI 3.0 DIO 4/4 M12-2A - Distributed I/O device



2773474

<https://www.phoenixcontact.com/us/products/2773474>

Classifications

UNSPSC

UNSPSC 21.0	32151602
-------------	----------

FLX ASI 3.0 DIO 4/4 M12-2A - Distributed I/O device



2773474

<https://www.phoenixcontact.com/us/products/2773474>

Environmental product compliance

China RoHS

Environment friendly use period (EFUP)	EFUP-50
	An article-related China RoHS declaration table can be found in the download area for the respective article under "Manufacturer declaration". For all articles with EFUP-E, no China RoHS declaration table issued and required.

EU REACH SVHC

REACH candidate substance (CAS No.)	No substance above 0.1 wt%
-------------------------------------	----------------------------

Phoenix Contact 2026 © - all rights reserved
<https://www.phoenixcontact.com>

Phoenix Contact USA
586 Fulling Mill Road
Middletown, PA 17057, United States
(+717) 944-1300
info@phoenixcon.com