

UKK 3-MSTB-5,08 AU 32R - Double-level terminal block



2770943

<https://www.phoenixcontact.com/us/products/2770943>

Please be informed that the data shown in this PDF document is generated from our online catalog. Please find the complete data in the user documentation. Our general terms of use for downloads are valid.



Double-level terminal block, Current and voltage are determined by the plug used., 32-pos. blocked, nom. voltage: 250 V, nominal current: 10 A, connection method: Screw/plug-in connection, 1st and 2nd level connection left, cross section: 0.2 mm² - 4 mm², mounting type: NS 35/7,5, NS 35/15, NS 32, color: gray

The figure shows the article UKK 3-MSTB-5,08

Commercial data

| | |
|--------------------------------------|---------------|
| Item number | 2770943 |
| Packing unit | 5 pc |
| Minimum order quantity | 5 pc |
| Product key | BE1241 |
| GTIN | 4017918236465 |
| Weight per piece (including packing) | 146.63 g |
| Weight per piece (excluding packing) | 145.3 g |
| Country of origin | PL |

UKK 3-MSTB-5,08 AU 32R - Double-level terminal block



2770943

<https://www.phoenixcontact.com/us/products/2770943>

Technical data

Product properties

| | |
|-----------------------|----------------------------|
| Product type | Multi-level terminal block |
| Product family | UK |
| Number of positions | 32 |
| Pitch | 5.08 mm |
| Number of connections | 128 |
| Number of rows | 2 |
| Potentials | 64 |

Insulation characteristics

| | |
|----------------------|-----|
| Overvoltage category | III |
| Degree of pollution | 3 |

Electrical properties

| | |
|---|------|
| Rated surge voltage | 4 kV |
| Maximum power dissipation for nominal condition | 0 W |

Connection data

1st and 2nd level connection left

| | |
|---|---|
| Connection method | Screw/plug-in connection |
| Screw thread | M3 |
| Tightening torque | 0.5 ... 0.6 Nm |
| Stripping length | 8 mm |
| Internal cylindrical gage | A3 |
| Conductor cross-section rigid | 0.2 mm ² ... 4 mm ² |
| Cross section AWG | 24 ... 12 (converted acc. to IEC) |
| Conductor cross-section flexible | 0.2 mm ² ... 2.5 mm ² |
| Conductor cross-section, flexible [AWG] | 24 ... 14 (converted acc. to IEC) |
| Conductor cross-section flexible (ferrule without plastic sleeve) | 0.25 mm ² ... 2.5 mm ² |
| Flexible conductor cross-section (ferrule with plastic sleeve) | 0.25 mm ² ... 1.5 mm ² |
| 2 conductors with same cross section, rigid | 0.2 mm ² ... 1.5 mm ² |
| 2 conductors with same cross section, flexible | 0.2 mm ² ... 1 mm ² |
| 2 conductors with same cross section, flexible, with ferrule without plastic sleeve | 0.25 mm ² ... 0.5 mm ² |
| 2 conductors with the same cross section, flexible, with TWIN ferrule with plastic sleeve | 0.5 mm ² ... 1 mm ² |
| Nominal current | 10 A |
| Maximum load current | 12 A (with 4 mm ² conductor cross-section) |
| Nominal voltage | 250 V |

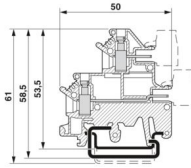
Dimensions

UKK 3-MSTB-5,08 AU 32R - Double-level terminal block



2770943

<https://www.phoenixcontact.com/us/products/2770943>

| | |
|---------------------|--|
| Dimensional drawing |  |
| Width | 88.9 mm |
| End cover width | 2.5 mm |
| Height | 50 mm |
| Depth on NS 35/7,5 | 53.5 mm |
| Pitch | 5.08 mm |

Material specifications

| | |
|--|-----------------|
| Color | gray (RAL 7042) |
| Flammability rating according to UL 94 | V2 |
| Insulating material group | I |
| Insulating material | PA |

Mechanical properties

Mechanical data

| | |
|-----------------|-----|
| Open side panel | Yes |
|-----------------|-----|

Environmental and real-life conditions

Ambient conditions

| | |
|--|---|
| Ambient temperature (operation) | -60 °C (max. operating temperature see derating curve) |
| Ambient temperature (storage/transport) | -25 °C ... 60 °C (for a short time, not exceeding 24 h, -60 °C to +70 °C) |
| Ambient temperature (assembly) | -5 °C ... 70 °C |
| Ambient temperature (actuation) | -5 °C ... 70 °C |
| Permissible humidity (operation) | 20 % ... 90 % |
| Permissible humidity (storage/transport) | 30 % ... 70 % |

Mounting

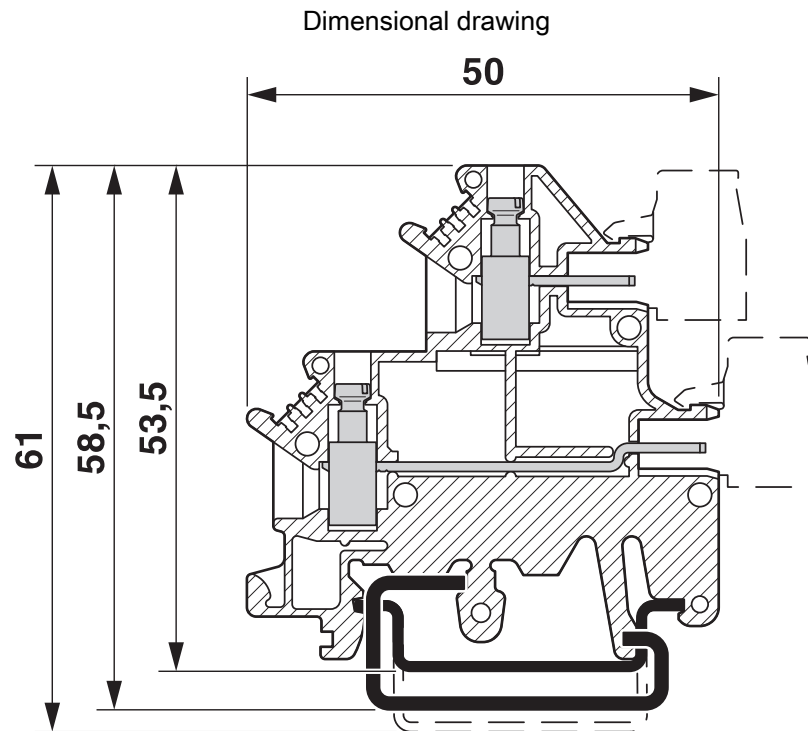
| | |
|---------------|-----------|
| Mounting type | NS 35/7,5 |
| | NS 35/15 |
| | NS 32 |

UKK 3-MSTB-5,08 AU 32R - Double-level terminal block

2770943

<https://www.phoenixcontact.com/us/products/2770943>

Drawings



UKK 3-MSTB-5,08 AU 32R - Double-level terminal block



2770943

<https://www.phoenixcontact.com/us/products/2770943>

Classifications

ECLASS

| | |
|-------------|----------|
| ECLASS-13.0 | 27250102 |
| ECLASS-15.0 | 27250102 |

ETIM

| | |
|-----------|----------|
| ETIM 10.0 | EC000897 |
|-----------|----------|

UNSPSC

| | |
|-------------|----------|
| UNSPSC 21.0 | 39121400 |
|-------------|----------|

UKK 3-MSTB-5,08 AU 32R - Double-level terminal block



2770943

<https://www.phoenixcontact.com/us/products/2770943>

Environmental product compliance

EU RoHS

| | |
|---|------|
| Fulfills EU RoHS substance requirements | Yes |
| Exemption | 6(c) |

China RoHS

| | |
|--|---|
| Environment friendly use period (EFUP) | EFUP-50 |
| | An article-related China RoHS declaration table can be found in the download area for the respective article under "Manufacturer declaration". For all articles with EFUP-E, no China RoHS declaration table issued and required. |

EU REACH SVHC

| | |
|-------------------------------------|--------------------------------------|
| REACH candidate substance (CAS No.) | Lead(CAS: 7439-92-1) |
| SCIP | d4c283ab-e9ac-4f2c-9bc7-7486b40a467e |

Phoenix Contact 2026 © - all rights reserved
<https://www.phoenixcontact.com>

Phoenix Contact USA
586 Fulling Mill Road
Middletown, PA 17057, United States
(+717) 944-1300
info@phoenixcon.com