

MCR-2SP-UI-DC - Limit value switch



2769873

<https://www.phoenixcontact.com/us/products/2769873>

Please be informed that the data shown in this PDF document is generated from our online catalog. Please find the complete data in the user documentation. Our general terms of use for downloads are valid.



MCR threshold value switch, with 2 adjustable relay contacts, with electrically isolated power pack, input signal 0 ... 10 V/0 ... 20 mA. Replacement part: 2902035 MINI MCR-2-UI-REL-PT.

The figure shows version MCR-2SP-UI

Commercial data

Item number	2769873
Packing unit	1 pc
Note	Made to order (non-returnable)
Sales key	C401
Product key	DK1XXX
GTIN	4017918067694
Weight per piece (including packing)	224.9 g
Weight per piece (excluding packing)	216.06 g
Customs tariff number	85437090
Country of origin	DE

MCR-2SP-UI-DC - Limit value switch



2769873

<https://www.phoenixcontact.com/us/products/2769873>

Technical data

Product properties

Product type	Limit value switch
No. of channels	2

Insulation characteristics

Pollution degree	2
------------------	---

Electrical properties

Electrical isolation between input and output	no
Maximum power dissipation for nominal condition	3 W
Test voltage input/power supply	1 kV AC (50 Hz, 60 s)
Step response (10-90%)	40 ms
Maximum temperature coefficient	≤ 0.01 %/K

Supply

Nominal supply voltage	24 V DC
Supply voltage range	20 V DC ... 30 V DC
Max. current consumption	50 mA
Power consumption	< 1.5 W

Input data

Signal

Description of the input	Analog input
Configurable/programmable	Yes
Voltage input signal	0 V ... 10 V
Max. voltage input signal	13 V
Current input signal	0 mA ... 20 mA
Max. current input signal	100 mA
Input resistance of voltage input	200 kΩ
Input resistance current input	50 Ω
Internal voltage hysteresis	approx. 100 mV
Internal current hysteresis	approx. 200 μA
Setting option	2-figure momentary-contact coding switch (0 ... 99%)
	External analog value definition
	2-figure momentary-contact coding switch (0 ... 99%) and external analog value definition

Signal

Description of the input	Setpoint input
Number of inputs	2
Configurable/programmable	Yes
Voltage input signal	0 V ... 10 V
Max. voltage input signal	13 V

MCR-2SP-UI-DC - Limit value switch



2769873

<https://www.phoenixcontact.com/us/products/2769873>

Current input signal	0 mA ... 20 mA
Max. current input signal	100 mA
Input resistance of voltage input	200 kΩ
Input resistance current input	50 Ω

Output data

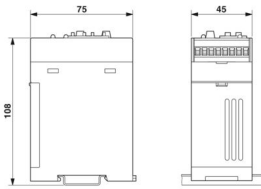
Switching: Relay

Contact switching type	2 x changeover contacts, de-energized/energized (switchable)
Contact material	Silver cadmium oxide (AgCdO)
Maximum switching voltage	250 V AC
Max. switching current	3 A
Mechanical service life	3x 10 ⁷ cycles
Setting range of the response delay	40 ms ... 4 s (adjustable)
Status display	LED

Connection data

Connection method	Screw connection
Stripping length	8 mm
Screw thread	M3
Conductor cross-section rigid	0.2 mm ² ... 2.5 mm ²
Conductor cross-section flexible	0.2 mm ² ... 2.5 mm ²
Conductor cross-section AWG	24 ... 14

Dimensions

Dimensional drawing	
Width	45 mm
Height	75 mm
Depth	108 mm

Material specifications

Color	green (RAL 6021)
Housing material	PC

Environmental and real-life conditions

Ambient conditions

Degree of protection	IP20
Ambient temperature (operation)	-20 °C ... 65 °C
Ambient temperature (storage/transport)	-20 °C ... 65 °C

MCR-2SP-UI-DC - Limit value switch



2769873

<https://www.phoenixcontact.com/us/products/2769873>

Approvals

CE

Certificate	CE-compliant
-------------	--------------

UL, USA/Canada

Identification	cULus
----------------	-------

Mounting

Mounting type	DIN rail mounting
Mounting position	Vertical (horizontal DIN rail)

MCR-2SP-UI-DC - Limit value switch

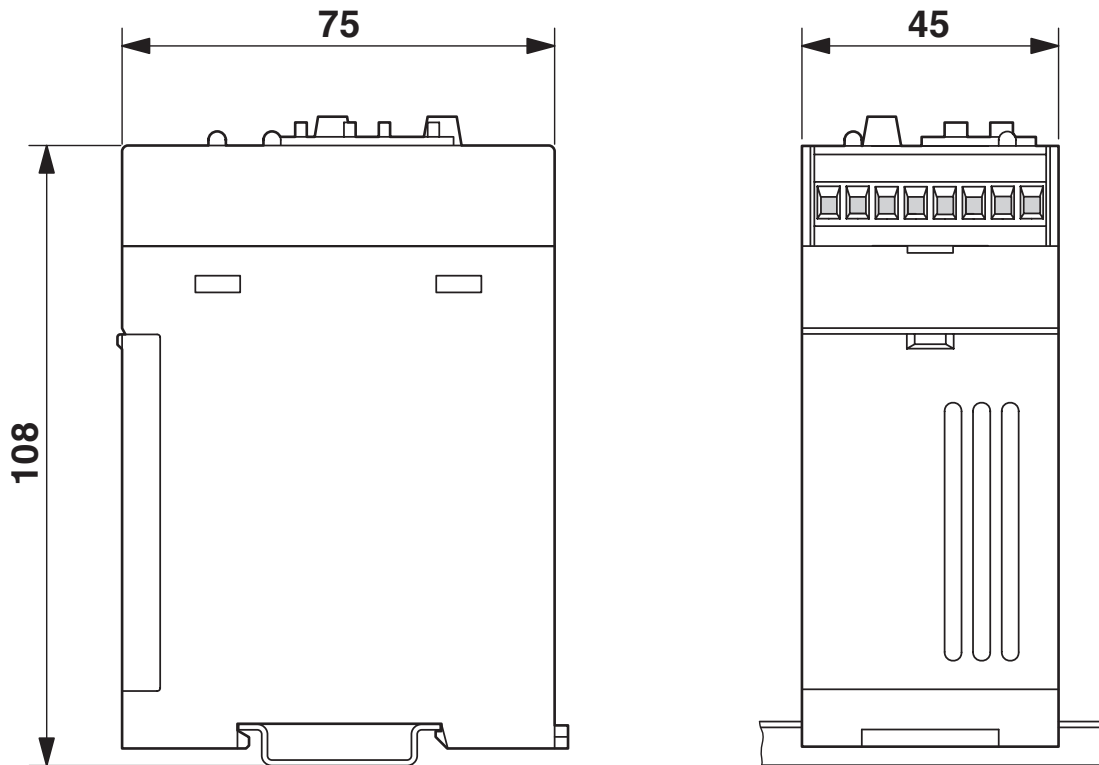


2769873

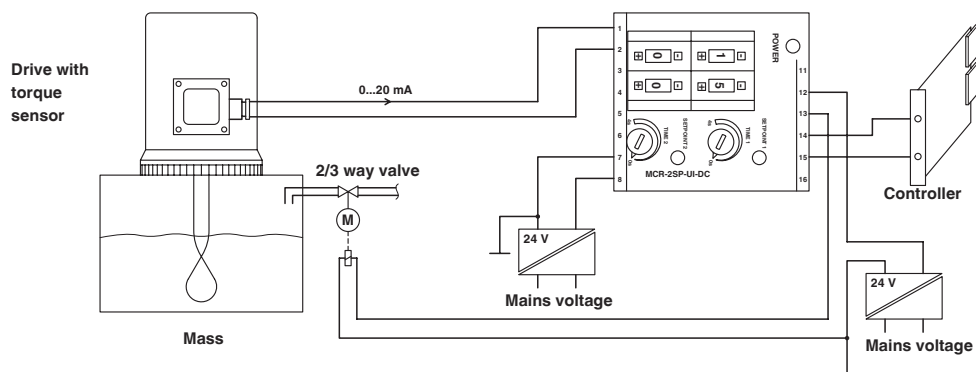
<https://www.phoenixcontact.com/us/products/2769873>

Drawings

Dimensional drawing



Application drawing



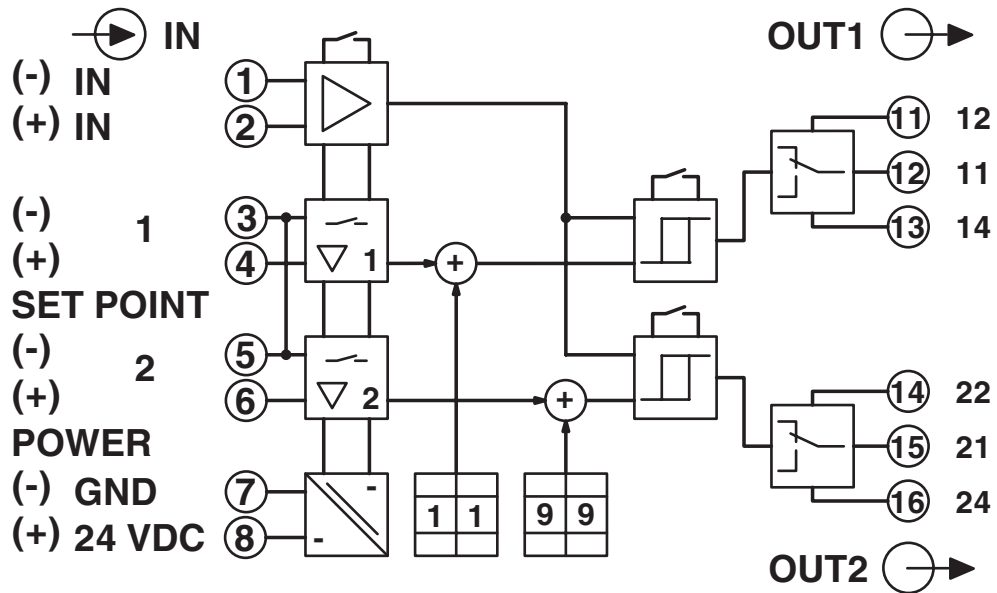
MCR-2SP-UI-DC - Limit value switch



2769873

<https://www.phoenixcontact.com/us/products/2769873>

Circuit diagram



MCR-2SP-UI-DC - Limit value switch



2769873

<https://www.phoenixcontact.com/us/products/2769873>

Environmental product compliance

China RoHS

Environment friendly use period (EFUP)	EFUP-50
	An article-related China RoHS declaration table can be found in the download area for the respective article under "Manufacturer declaration". For all articles with EFUP-E, no China RoHS declaration table issued and required.

EU REACH SVHC

REACH candidate substance (CAS No.)	No substance above 0.1 wt%
-------------------------------------	----------------------------

Phoenix Contact 2026 © - all rights reserved
<https://www.phoenixcontact.com>

Phoenix Contact USA
586 Fulling Mill Road
Middletown, PA 17057, United States
(+717) 944-1300
info@phoenixcon.com