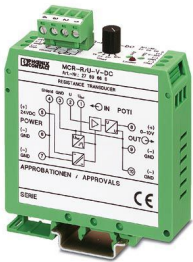


MCR-R-U-V - Resistance/potiposition transducer

2769637

<https://www.phoenixcontact.com/us/products/2769637>

Please be informed that the data shown in this PDF document is generated from our online catalog. Please find the complete data in the user documentation. Our general terms of use for downloads are valid.



MCR potentiometer position indicator transducer, for slider position signaling on a potentiometer, input 0..100 Ω to 0..20 k Ω , output signal 0..10 V

Commercial data

Item number	2769637
Packing unit	1 pc
Note	Made to order (non-returnable)
Sales key	C401
Product key	DK1XXX
GTIN	4017918067649
Weight per piece (including packing)	121 g
Weight per piece (excluding packing)	1.2 g
Customs tariff number	85389091
Country of origin	DE

MCR-R-U-V - Resistance/potiposition transducer



2769637

<https://www.phoenixcontact.com/us/products/2769637>

Technical data

Product properties

Product type	Potiposition transducer
--------------	-------------------------

Electrical properties

Test voltage output/power supply	1 kV AC (50 Hz, 60 s)
Step response (10-90%)	1 ms
Maximum temperature coefficient	≤ 0.02 %
Maximum transmission error	≤ 0.2 % (of final value)

Supply

Nominal supply voltage	24 V DC ±10 % (electrically isolated)
Supply voltage range	20 V DC ... 30 V DC
Typical current consumption	40 mA (not electrically isolated) 60 mA (electrically isolated)

Input data

Potentiometer

Potentiometer resistance range	100 Ω ... 20000 Ω
Minimum use of potentiometer for ZERO/SPAN alignment	60 %
Reference voltage source	Can be set via control knob 1 V, 2 V, 5 V or 10 V

Output data

Signal: Voltage output

Voltage output signal	0 V ... 10 V
Max. voltage output signal	approx. 11 V (signalized by LED)
Load/output load voltage output	≥ 1000 Ω

Connection data

Connection method	Pluggable screw connection
Stripping length	8 mm
Screw thread	M3
Conductor cross-section rigid	0.2 mm ² ... 2.5 mm ²
Conductor cross-section flexible	0.2 mm ² ... 2.5 mm ²
Conductor cross-section AWG	24 ... 14

Dimensions

MCR-R-U-V - Resistance/potiposition transducer



2769637

<https://www.phoenixcontact.com/us/products/2769637>

Dimensional drawing	
Width	22.5 mm
Height	79 mm
Depth	93 mm

Material specifications

Color	green (RAL 6021)
Housing material	Polyamide PA non-reinforced

Environmental and real-life conditions

Ambient conditions

Ambient temperature (operation)	0 °C ... 55 °C
---------------------------------	----------------

EMC data

Electromagnetic compatibility	Conformance with EMC directive
-------------------------------	--------------------------------

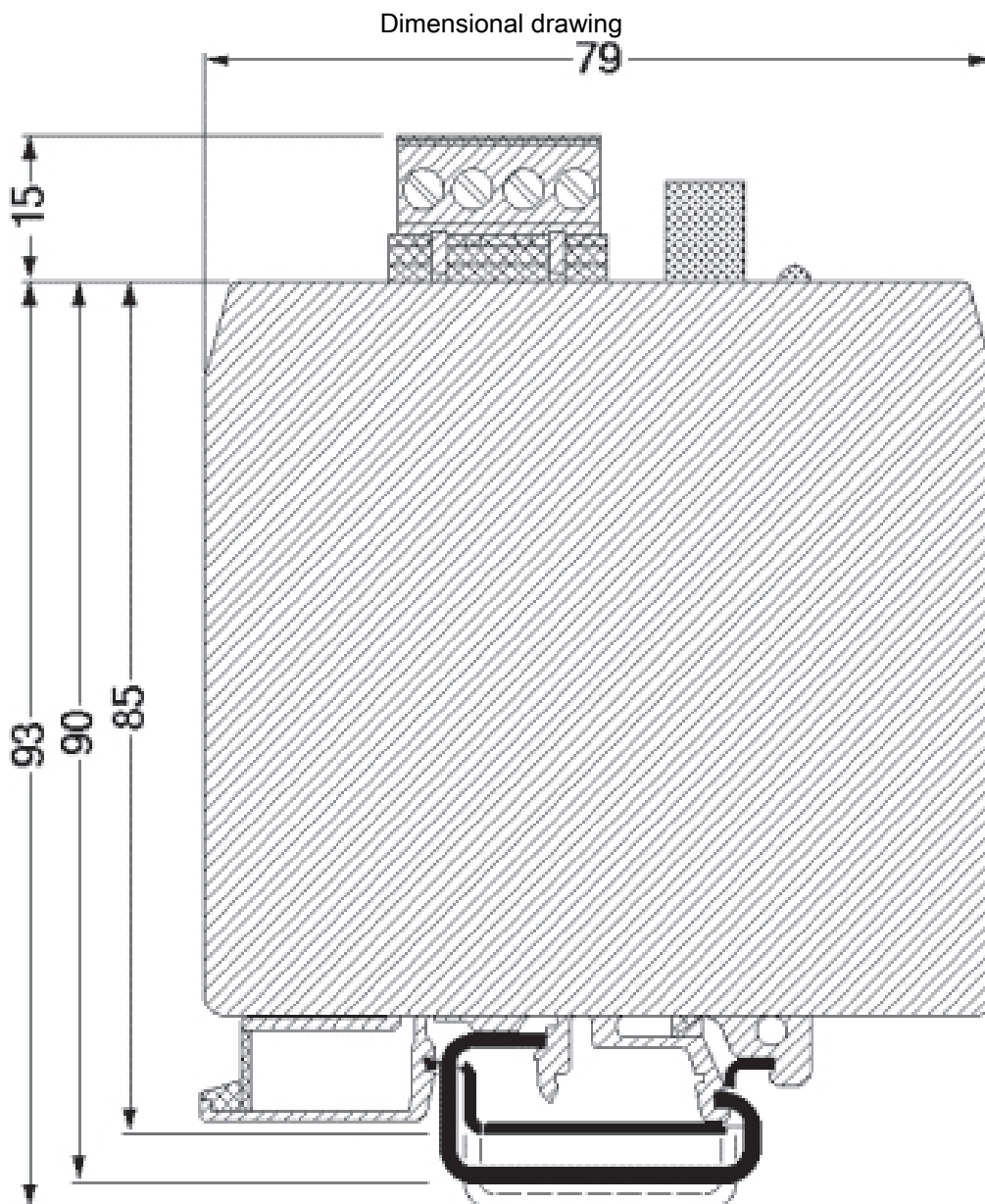
MCR-R-U-V - Resistance/potiposition transducer



2769637

<https://www.phoenixcontact.com/us/products/2769637>

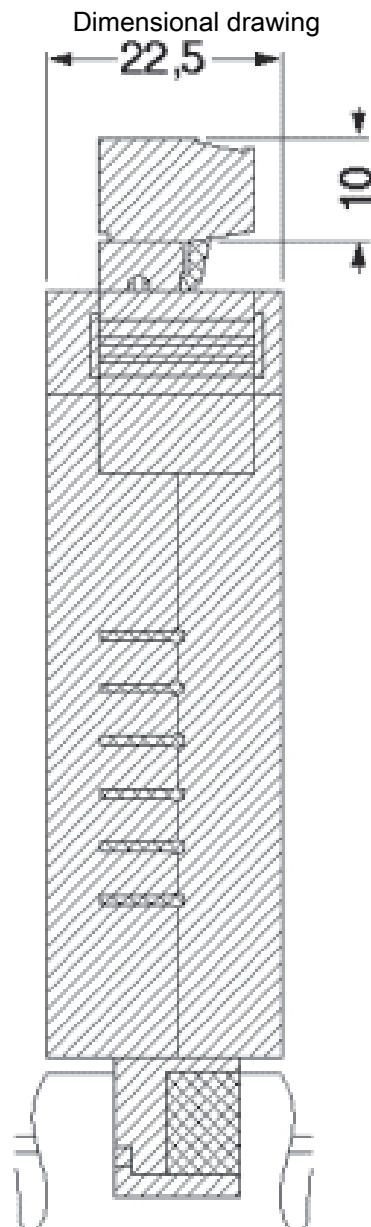
Drawings



MCR-R-U-V - Resistance/potipotition transducer

2769637

<https://www.phoenixcontact.com/us/products/2769637>

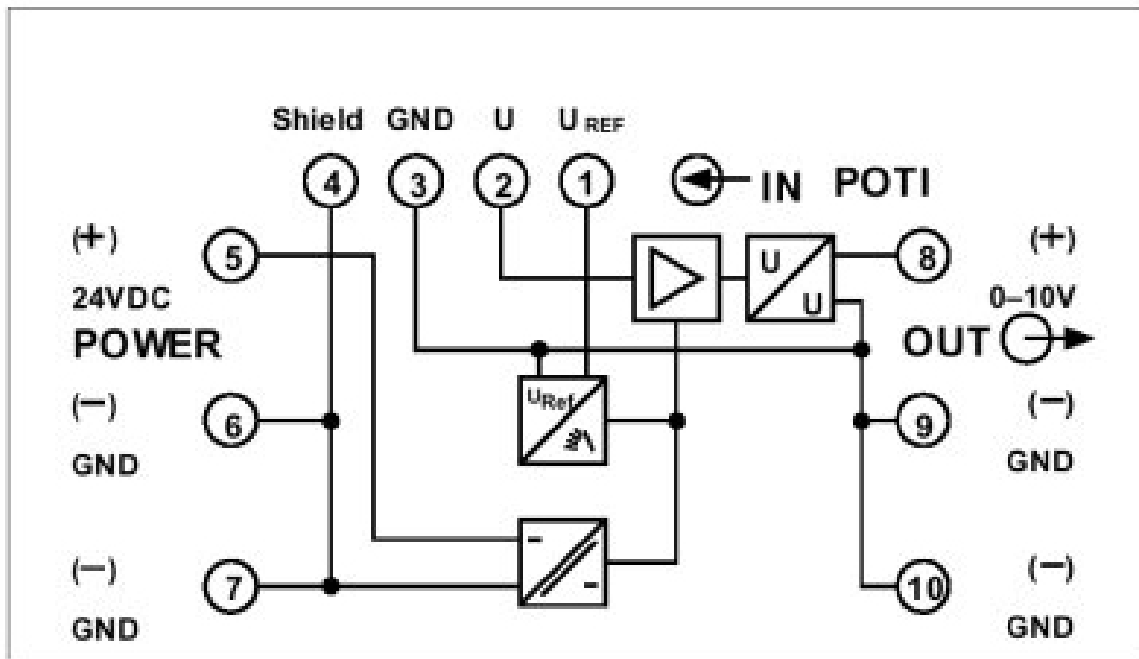


MCR-R-U-V - Resistance/potiposition transducer

2769637

<https://www.phoenixcontact.com/us/products/2769637>

Circuit diagram



MCR-R-U-V - Resistance/potiposition transducer



2769637

<https://www.phoenixcontact.com/us/products/2769637>

Environmental product compliance

EU REACH SVHC

REACH candidate substance (CAS No.)	No substance above 0.1 wt%
-------------------------------------	----------------------------

Phoenix Contact 2026 © - all rights reserved

<https://www.phoenixcontact.com>

Phoenix Contact USA
586 Fulling Mill Road
Middletown, PA 17057, United States
(+717) 944-1300
info@phoenixcon.com