

UEGM-OE/AV-24DC/24DC/100 - Timer module

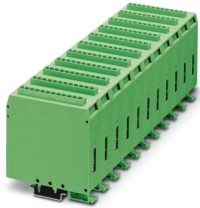


2766850

<https://www.phoenixcontact.com/us/products/2766850>

Please be informed that the data shown in this PDF document is generated from our online catalog. Please find the complete data in the user documentation. Our general terms of use for downloads are valid.

Pulse expansion module, input: 24 V DC, output: 3 - 48 V DC/100 mA, supply: 20 - 30 V DC



Your advantages

- Electrical isolation of signals using solid-state relays
- Delay times of 10 to 1500 ms

Commercial data

Item number	2766850
Packing unit	1 pc
Note	Made to order (non-returnable)
Sales key	C460
Product key	DK61C4
GTIN	4017918066888
Weight per piece (including packing)	113.1 g
Weight per piece (excluding packing)	102.5 g
Customs tariff number	85364190
Country of origin	DE

Technical data

Notes

Notes on operation	COMBICON connection plugs can be ordered separately.
--------------------	--

Product properties

Product type	Solid-state relay module
--------------	--------------------------

Insulation characteristics

Insulation	Basic insulation
Overvoltage category	III
Pollution degree	2

Data management status

Date of last data management	01.04.2026
------------------------------	------------

Electrical properties

Test voltage (Input/output)	1 kV AC (Input/output)
-----------------------------	------------------------

Input data

Pulse input

Impulse voltage	24 V DC ($\pm 20\%$)
Pulse time	0.1 ms
Max. current consumption	6 mA
Protective circuit	RC element; RC element

Output data

Design of digital output	electronic
Output voltage range	3 V DC ... 48 V DC (V_{CC} , GND)
Limiting continuous current	100 mA
Voltage drop at max. limiting continuous current	1.4 V
Output circuit	3-conductor, ground-referenced
Protective circuit	Reverse polarity protection; Polarity protection diode Surge protection; Freewheeling diode

Connection data

Input side

Connection method	Screw connection
Conductor cross-section rigid	0.2 mm ² ... 4 mm ²
Conductor cross-section flexible	0.2 mm ² ... 2.5 mm ²
Conductor cross-section AWG	24 ... 12

Output side

Connection method	Screw connection
-------------------	------------------

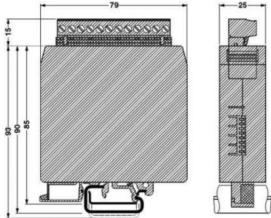
UEGM-OE/AV-24DC/24DC/100 - Timer module

2766850

<https://www.phoenixcontact.com/us/products/2766850>

Conductor cross-section rigid	0.2 mm ² ... 4 mm ²
Conductor cross-section flexible	0.2 mm ² ... 2.5 mm ²
Conductor cross-section AWG	24 ... 12

Dimensions

Dimensional drawing	
Width	25 mm
Height	79 mm
Depth	85 mm

Environmental and real-life conditions

Ambient conditions

Ambient temperature (operation)	0 °C ... 55 °C
---------------------------------	----------------

Standards and regulations

Standards/regulations	IEC 60664
-----------------------	-----------

Mounting

Assembly note	in rows with zero spacing
Mounting position	any

UEGM-OE/AV-24DC/24DC/100 - Timer module

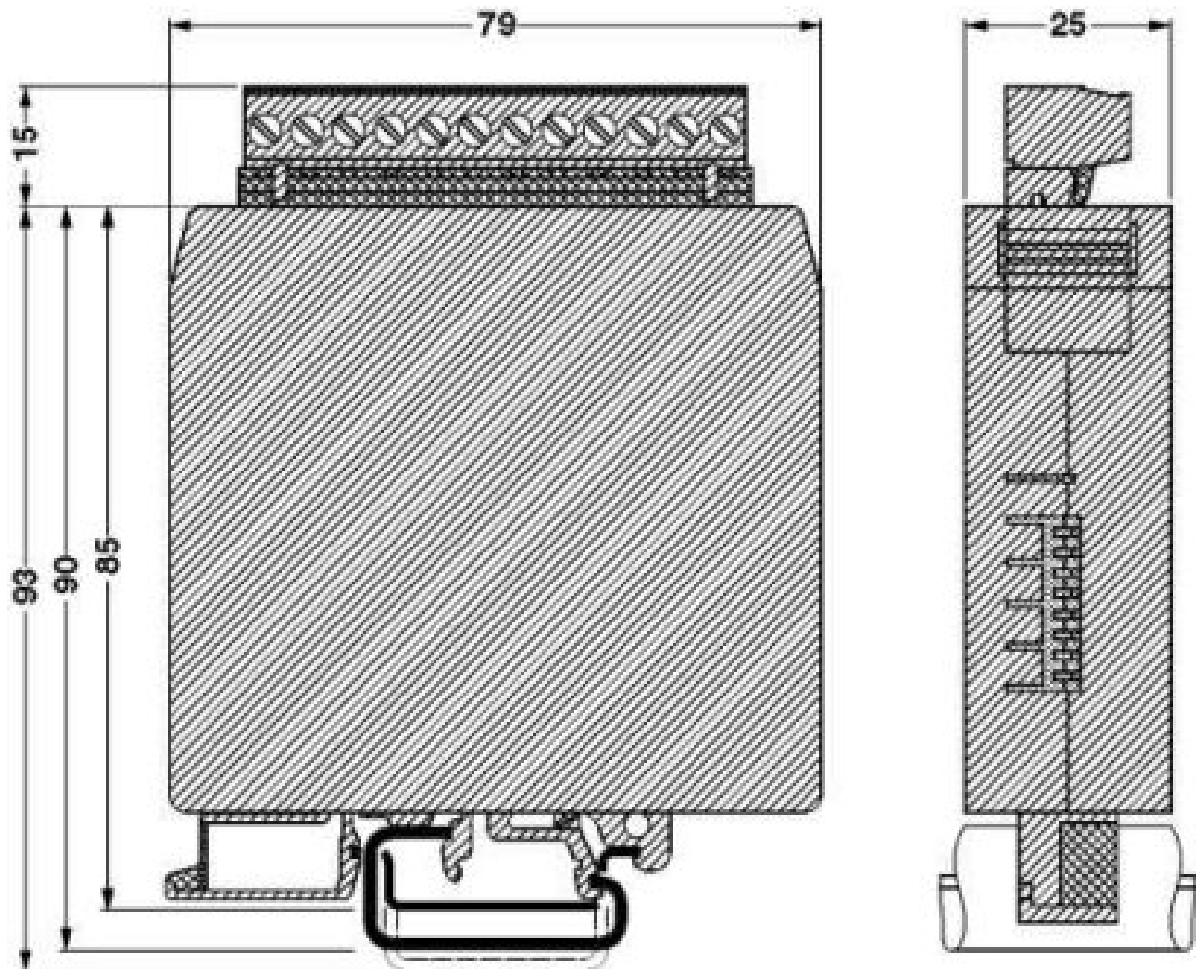
2766850

<https://www.phoenixcontact.com/us/products/2766850>



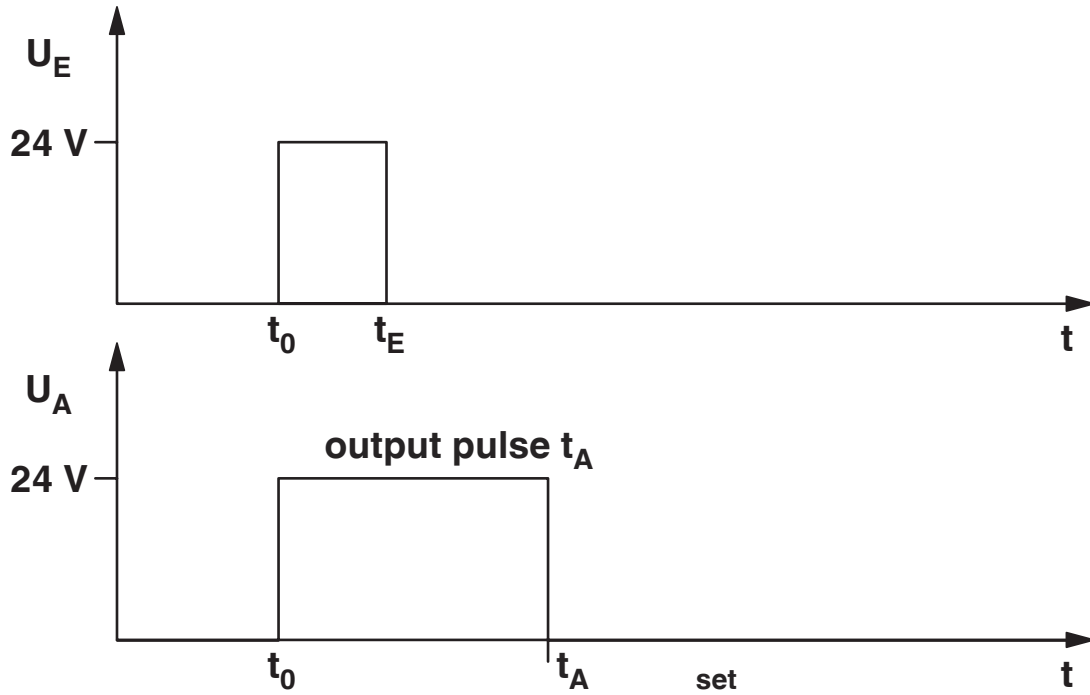
Drawings

Dimensional drawing



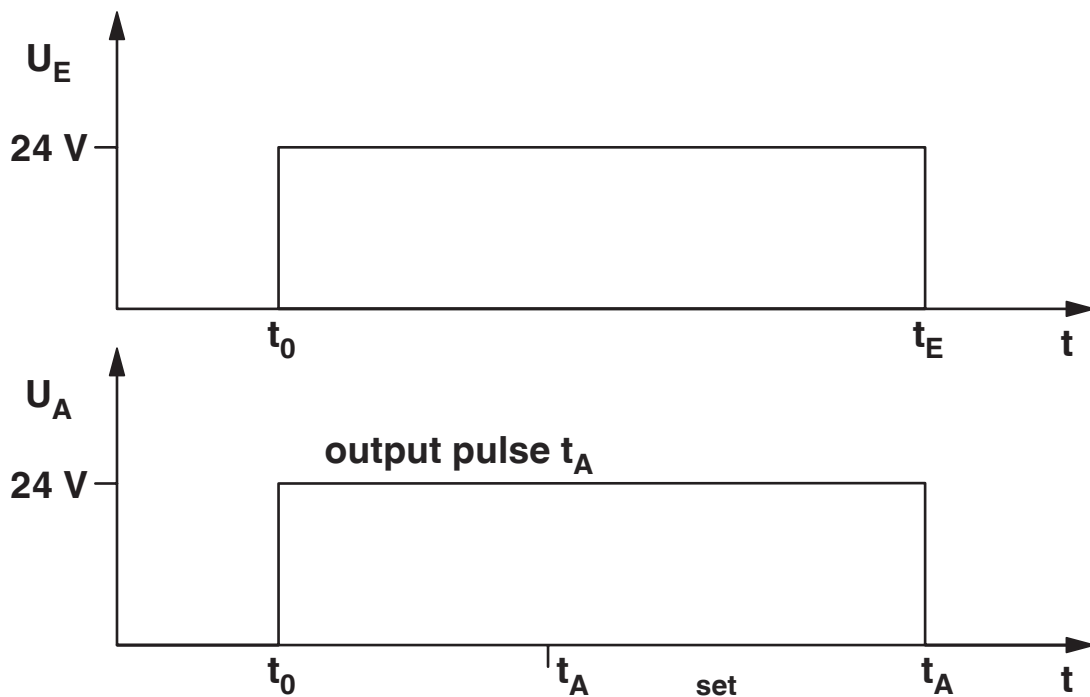
Diagram

Operating voltage present



Diagram

Operating voltage present

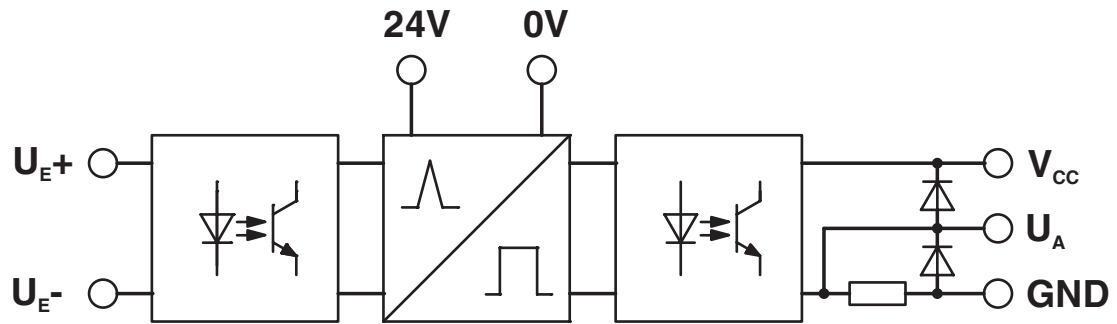


UEGM-OE/AV-24DC/24DC/100 - Timer module

2766850

<https://www.phoenixcontact.com/us/products/2766850>

Circuit diagram



2766850

<https://www.phoenixcontact.com/us/products/2766850>

Environmental product compliance

China RoHS

Environment friendly use period (EFUP)	EFUP-50
	An article-related China RoHS declaration table can be found in the download area for the respective article under "Manufacturer declaration". For all articles with EFUP-E, no China RoHS declaration table issued and required.

EU REACH SVHC

REACH candidate substance (CAS No.)	No substance above 0.1 wt%
-------------------------------------	----------------------------

Phoenix Contact 2026 © - all rights reserved
<https://www.phoenixcontact.com>

Phoenix Contact USA
586 Fulling Mill Road
Middletown, PA 17057, United States
(+717) 944-1300
info@phoenixcon.com