

MCR-SWG-U-DC-S - Setpoint adjuster

2766795

<https://www.phoenixcontact.com/us/products/2766795>

Please be informed that the data shown in this PDF document is generated from our online catalog. Please find the complete data in the user documentation. Our general terms of use for downloads are valid.



The figure shows version
MCR-SWG-I-DC

MCR setpoint adjuster, for exposed mounting of the coding switch on the door of the control cabinet, with electrical isolation of supply voltage, figure height 7.8 mm, output signal 0..10 V, dimensional drawing B

Commercial data

Item number	2766795
Packing unit	1 pc
Note	Made to order (non-returnable)
Sales key	C401
Product key	DK1XXX
GTIN	4017918066857
Weight per piece (including packing)	208.3 g
Weight per piece (excluding packing)	2.12 g
Customs tariff number	85389091
Country of origin	DE

MCR-SWG-U-DC-S - Setpoint adjuster



2766795

<https://www.phoenixcontact.com/us/products/2766795>

Technical data

Product properties

Product type	Setpoint potentiometer
--------------	------------------------

Mounting

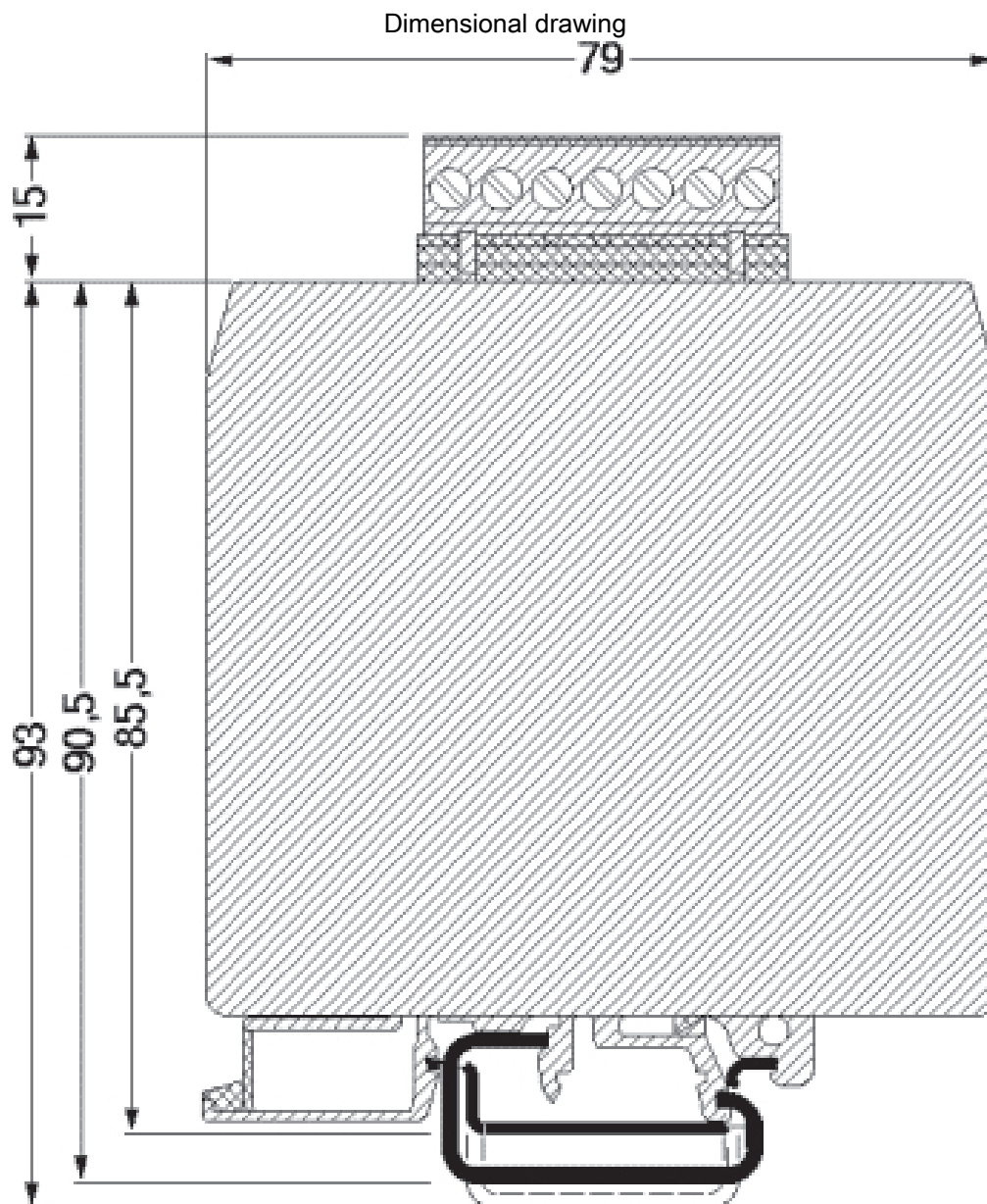
Mounting type	DIN rail mounting
---------------	-------------------

MCR-SWG-U-DC-S - Setpoint adjuster

2766795

<https://www.phoenixcontact.com/us/products/2766795>

Drawings

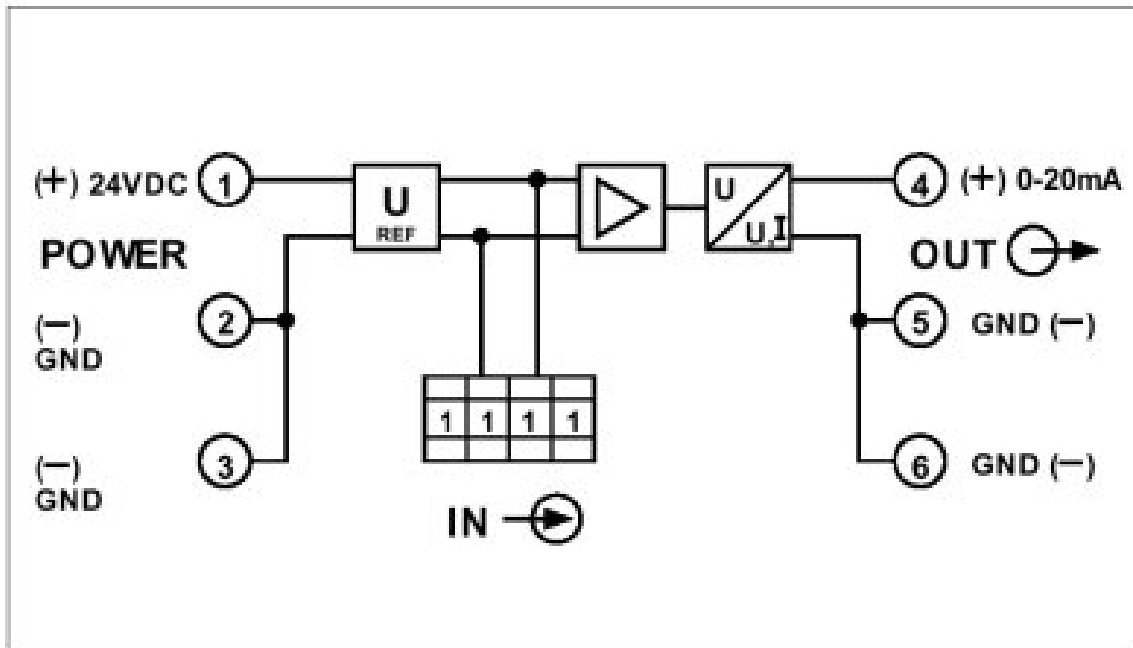


MCR-SWG-U-DC-S - Setpoint adjuster

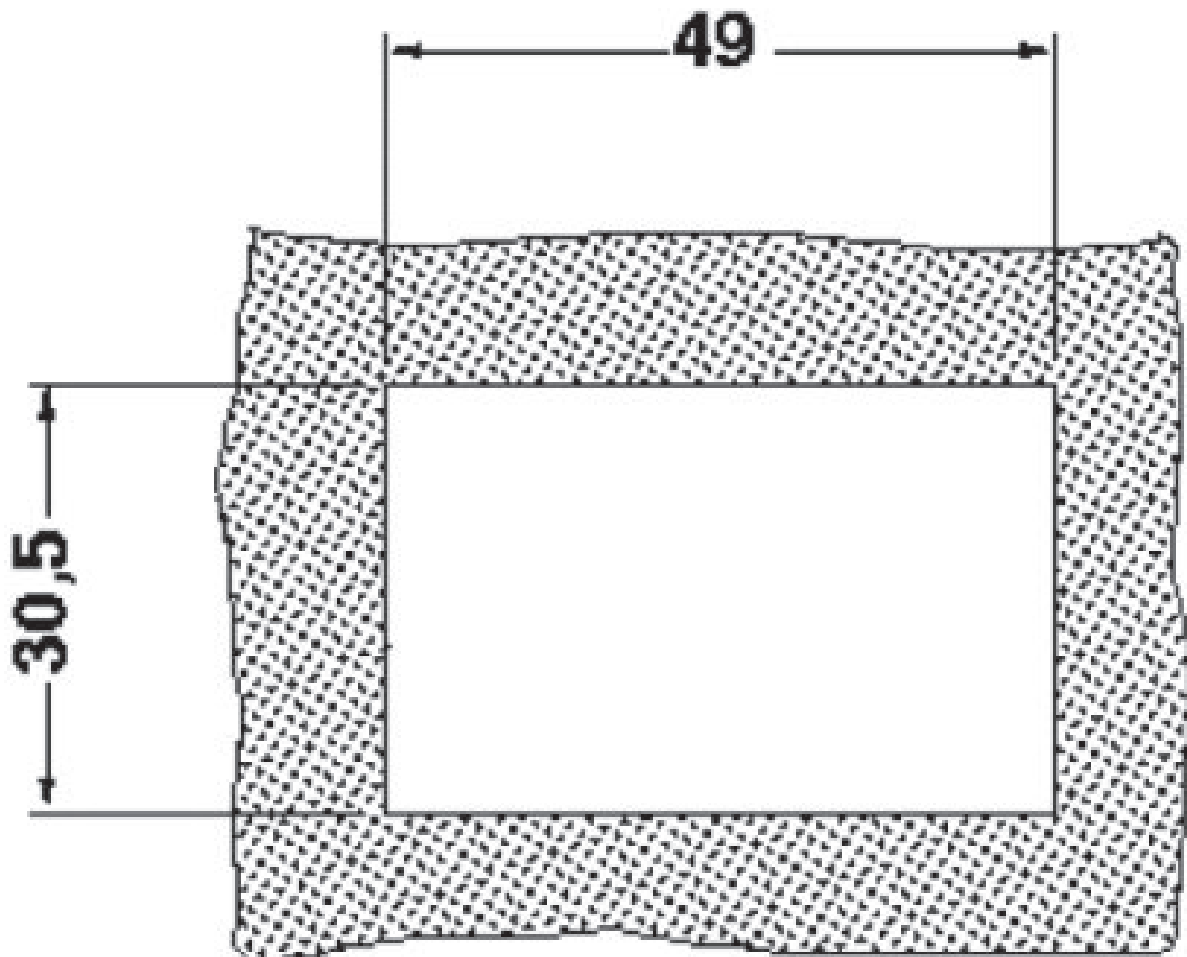
2766795

<https://www.phoenixcontact.com/us/products/2766795>

Circuit diagram



Drilling plan/solder pad geometry



MCR-SWG-U-DC-S - Setpoint adjuster



2766795

<https://www.phoenixcontact.com/us/products/2766795>

Environmental product compliance

China RoHS

Environment friendly use period (EFUP)	EFUP-50
	An article-related China RoHS declaration table can be found in the download area for the respective article under "Manufacturer declaration". For all articles with EFUP-E, no China RoHS declaration table issued and required.

EU REACH SVHC

REACH candidate substance (CAS No.)	No substance above 0.1 wt%
-------------------------------------	----------------------------

Phoenix Contact 2026 © - all rights reserved
<https://www.phoenixcontact.com>

Phoenix Contact USA
586 Fulling Mill Road
Middletown, PA 17057, United States
(+717) 944-1300
info@phoenixcon.com