

MCR-PS- 24DC-10DC - Signal conditioner



2766685

<https://www.phoenixcontact.com/us/products/2766685>

Please be informed that the data shown in this PDF document is generated from our online catalog. Please find the complete data in the user documentation. Our general terms of use for downloads are valid.

MCR constant voltage source, input voltage 18 - 30 V DC, output voltage 10 V DC



Your advantages

- Voltage reference for setpoint definition in conjunction with potentiometers

Commercial data

Item number	2766685
Packing unit	1 pc
Note	Made to order (non-returnable)
Sales key	NULL
Product key	DK1XXX
GTIN	4017918066796
Weight per piece (including packing)	114.7 g
Weight per piece (excluding packing)	110 g
Customs tariff number	85044082
Country of origin	DE

Technical data

Product properties

Product type	Constant voltage source
--------------	-------------------------

Electrical properties

Maximum temperature coefficient	$\leq 0.015\ %/K$
---------------------------------	-------------------

Input data

Nominal input voltage range	18 V DC ... 30 V DC
Current consumption	approx. 10 mA (with no load on the output)

Output data

Nominal output voltage	+ 10 V DC $\pm 0,1\ %$
Residual ripple	$\leq 50\ mV_{PP}$
Short-circuit current	approx. 65 mA

Connection data

Input

Connection method	Pluggable screw connection
Conductor cross-section, rigid min.	0.2 mm ²
Conductor cross-section, rigid max.	2.5 mm ²
Conductor cross-section flexible min.	0.2 mm ²
Conductor cross-section flexible max.	2.5 mm ²
Conductor cross-section AWG min.	24
Conductor cross-section AWG max.	14
Stripping length	8 mm
Screw thread	M3

Output

Connection method	Pluggable screw connection
Conductor cross-section, rigid min.	0.2 mm ²
Conductor cross-section, rigid max.	2.5 mm ²
Conductor cross-section flexible min.	0.2 mm ²
Conductor cross-section flexible max.	2.5 mm ²
Conductor cross-section AWG min.	24
Conductor cross-section AWG max.	14
Stripping length	8 mm

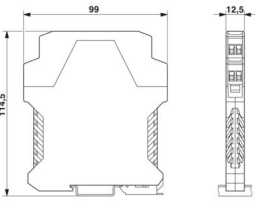
Dimensions

MCR-PS- 24DC-10DC - Signal conditioner



2766685

<https://www.phoenixcontact.com/us/products/2766685>

Dimensional drawing	
Width	12.5 mm
Height	99 mm
Depth	114.5 mm
Horizontal pitch	0.7 Div.

Material specifications

Housing material	Polyamide PA non-reinforced
Type of housing	Polyamide PA non-reinforced, color: green

Environmental and real-life conditions

Ambient conditions

Ambient temperature (operation)	-20 °C ... 65 °C
---------------------------------	------------------

Approvals

Conformity/Approvals

Conformance	CE-compliant
-------------	--------------

Mounting

Mounting position	any
-------------------	-----

MCR-PS- 24DC-10DC - Signal conditioner

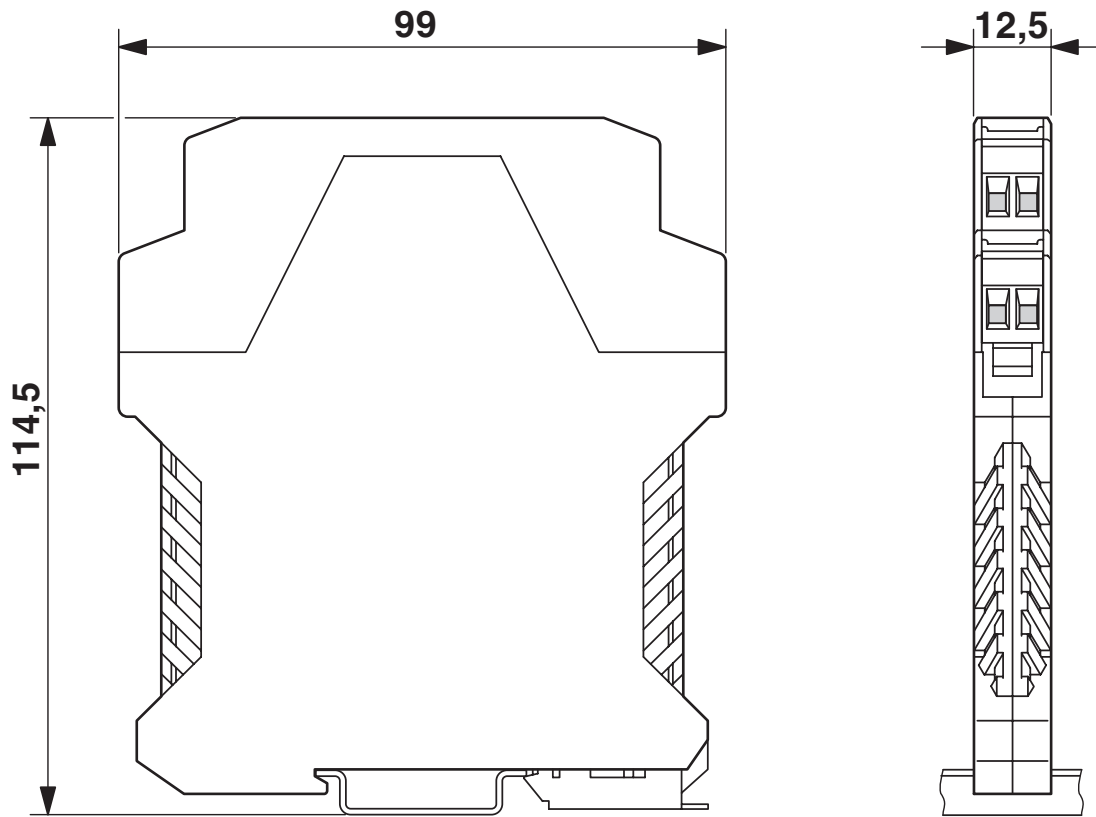


2766685

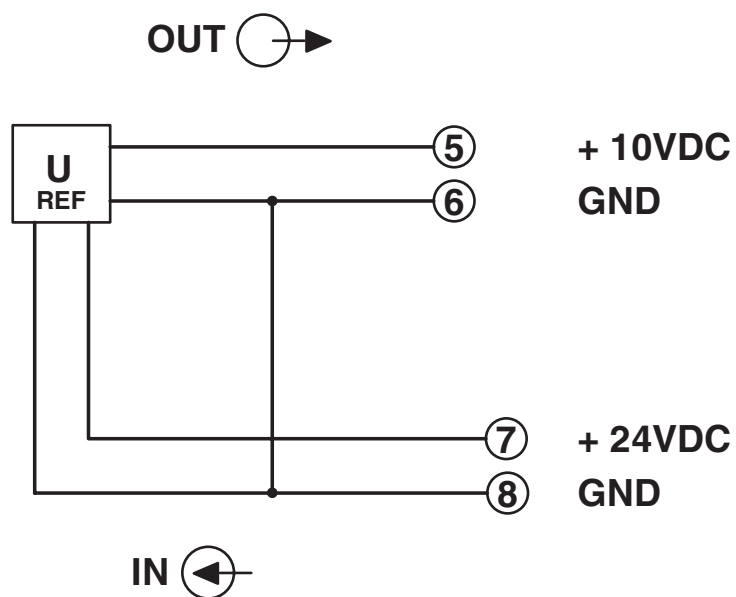
<https://www.phoenixcontact.com/us/products/2766685>

Drawings

Dimensional drawing



Circuit diagram



MCR-PS- 24DC-10DC - Signal conditioner



2766685

<https://www.phoenixcontact.com/us/products/2766685>

Environmental product compliance

EU RoHS

Fulfills EU RoHS substance requirements	Yes
Exemption	6(c), 7(a), 7(c)-I

EU REACH SVHC

REACH candidate substance (CAS No.)	Hexahydromethylphthalic anhydride(CAS: n/a)
	Lead(CAS: 7439-92-1)

Phoenix Contact 2026 © - all rights reserved
<https://www.phoenixcontact.com>

Phoenix Contact USA
586 Fulling Mill Road
Middletown, PA 17057, United States
(+717) 944-1300
info@phoenixcon.com