

UEG-EU-BE BK - Mounting material

2766627

<https://www.phoenixcontact.com/us/products/2766627>

Please be informed that the data shown in this PDF document is generated from our online catalog. Please find the complete data in the user documentation. Our general terms of use for downloads are valid.



Electronics housing base element with snap-on foot for mounting on standard DIN rail, 35 mm wide

The figure shows a green version

Commercial data

Item number	2766627
Packing unit	1 pc
Note	Made to order (non-returnable)
Sales key	AC11
Product key	ACHCCF
GTIN	4017918273576
Weight per piece (including packing)	82.12 g
Weight per piece (excluding packing)	56.12 g
Customs tariff number	85369010
Country of origin	DE

2766627

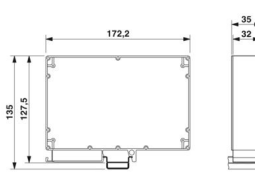
<https://www.phoenixcontact.com/us/products/2766627>

Technical data

Product properties

Housing type	Component housing
Type	Housing base element, side panels necessary to complete the module

Dimensions

Dimensional drawing	
Width	35 mm
Height NS 35/7,5	127.5 mm
Depth	172 mm
Length	172 mm

Material specifications

Color	black (RAL 9005)
Housing material	Polyamide fiber reinforced

Environmental and real-life conditions

Ambient conditions

Ambient temperature (operation)	-40 °C ... 105 °C
---------------------------------	-------------------

UEG-EU-BE BK - Mounting material

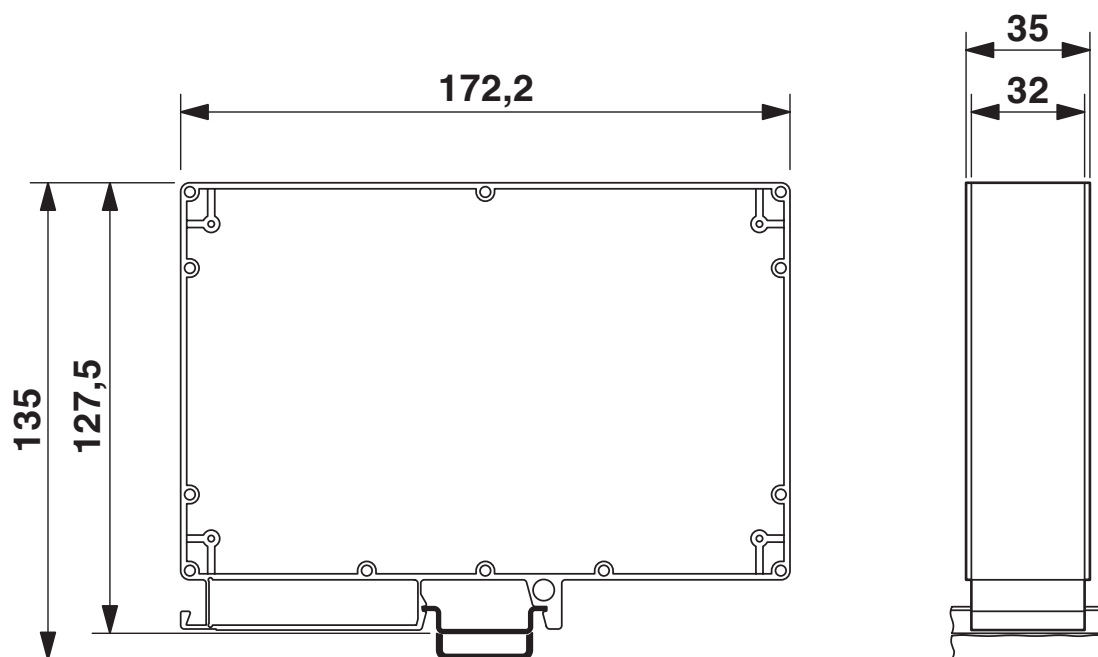
2766627

<https://www.phoenixcontact.com/us/products/2766627>



Drawings

Dimensional drawing



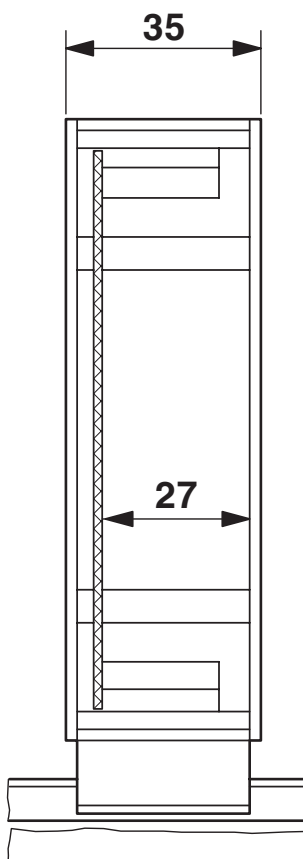
UEG-EU-BE BK - Mounting material

2766627

<https://www.phoenixcontact.com/us/products/2766627>



Dimensional drawing



Maximum height of the components on the PCB, for 1 PCB

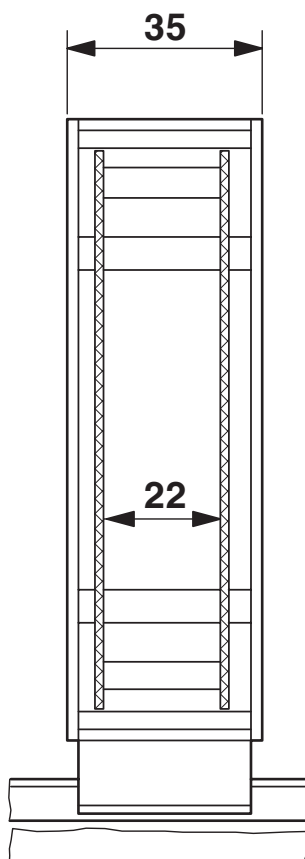
UEG-EU-BE BK - Mounting material

2766627

<https://www.phoenixcontact.com/us/products/2766627>



Dimensional drawing



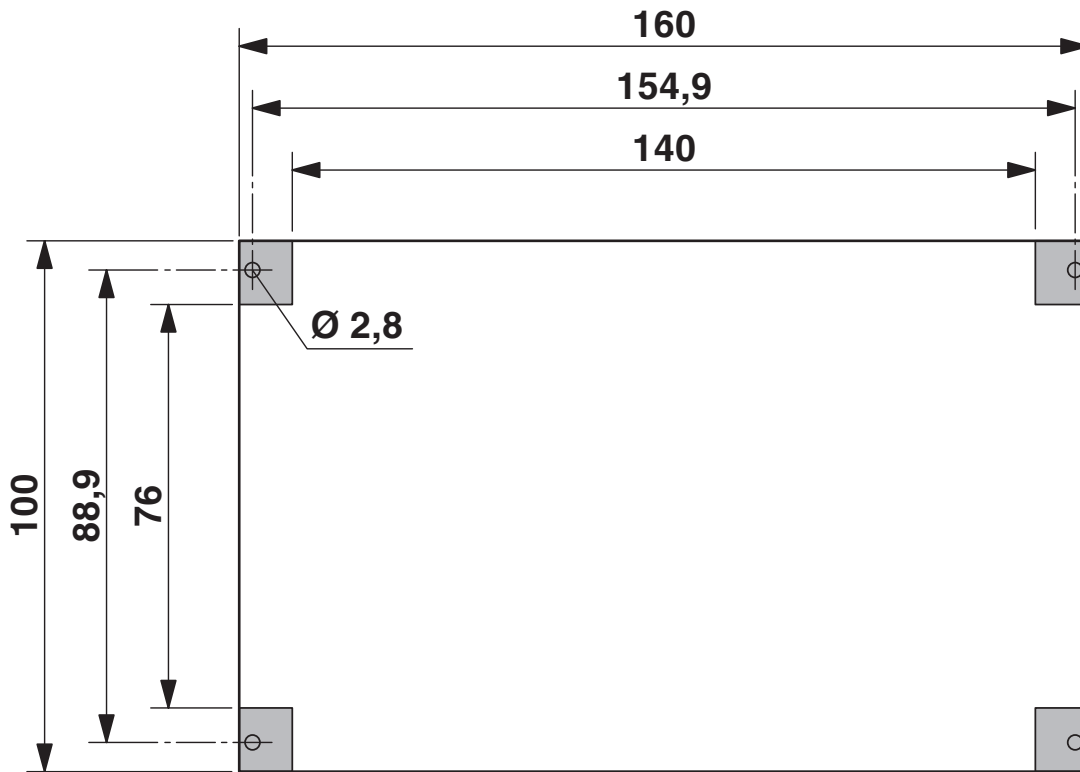
Maximum height of the components on the PCB with 2 PCBs

UEG-EU-BE BK - Mounting material

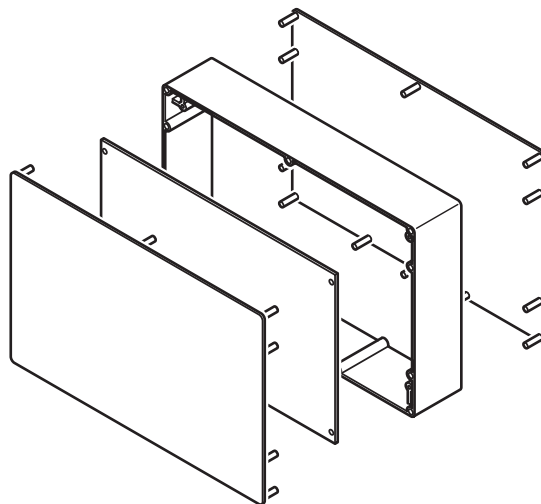
2766627

<https://www.phoenixcontact.com/us/products/2766627>

Dimensional drawing



Exploded view



UEG-EU-BE BK - Mounting material

2766627

<https://www.phoenixcontact.com/us/products/2766627>



Classifications

UNSPSC

UNSPSC 21.0	31261500
-------------	----------

UEG-EU-BE BK - Mounting material



2766627

<https://www.phoenixcontact.com/us/products/2766627>

Environmental product compliance

EU RoHS

Fulfills EU RoHS substance requirements	Yes, No exemptions
---	--------------------

China RoHS

Environment friendly use period (EFUP)	EFUP-E
	No hazardous substances above the limits

EU REACH SVHC

REACH candidate substance (CAS No.)	No substance above 0.1 wt%
-------------------------------------	----------------------------

Phoenix Contact 2026 © - all rights reserved
<https://www.phoenixcontact.com>

Phoenix Contact USA
586 Fulling Mill Road
Middletown, PA 17057, United States
(+717) 944-1300
info@phoenixcon.com