

MCR-SWS-U - Limit value switch



2766465

<https://www.phoenixcontact.com/us/products/2766465>

Please be informed that the data shown in this PDF document is generated from our online catalog. Please find the complete data in the user documentation. Our general terms of use for downloads are valid.



MCR threshold value switches, with adjustable hysteresis and relay/transistor output, input signal 0..10 V

Your advantages

- Adjustable hysteresis
- Monitoring of three signal states
- Relay/transistor output
- Limit value indication
- Input: 0 V ... 10 V or 0 mA ... 20 mA

Commercial data

Item number	2766465
Packing unit	1 pc
Note	Made to order (non-returnable)
Sales key	C401
Product key	DK1XXX
GTIN	4017918066710
Weight per piece (including packing)	150 g
Weight per piece (excluding packing)	124.7 g
Customs tariff number	85437090
Country of origin	DE

Technical data

Notes

Utilization restriction

EMC note	EMC: class A product, see manufacturer's declaration in the download area
----------	---

Product properties

Product type	Limit value switch
No. of channels	1

Electrical properties

Step response (10-90%)	< 25 ms
Maximum temperature coefficient	≤ 0.02 %/K

Supply

Supply voltage range	20 V DC ... 30 V DC
Max. current consumption	typ. 60 mA

Input data

Signal

Description of the input	Voltage input
Voltage input signal	0 V ... 10 V
Max. voltage input signal	11 V
Input resistance of voltage input	≥ 100 kΩ
Min setting range of the voltage threshold value	0 V ... 10 V
Setting range of the voltage hysteresis	0.1 V ... 10 V (setting accuracy: ± 30 mV)
Internal voltage hysteresis	± 30 mV (around the lower/upper switching point)
Setting option	Setting potentiometer, scaled 270° potentiometer

Output data

Switching: Transistor

Number of outputs	3
Continuous load current	100 mA
Output voltage range	20 V DC ... 30 V DC

Switching: Relay

Contact switching type	1 changeover contact
Contact material	AgNi 0,15 + HTV (hard gold-plated)
Maximum switching voltage	250 V AC (30 V DC)
Max. switching current	2 A
Mechanical service life	10 ⁷ cycles
Status display	LED

MCR-SWS-U - Limit value switch



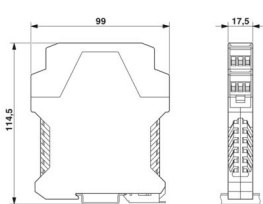
2766465

<https://www.phoenixcontact.com/us/products/2766465>

Connection data

Connection method	Screw connection
Stripping length	8 mm
Screw thread	M3
Conductor cross-section rigid	0.2 mm ² ... 2.5 mm ²
Conductor cross-section flexible	0.2 mm ² ... 2.5 mm ²
Conductor cross-section AWG	24 ... 14

Dimensions

Dimensional drawing	
Width	17.5 mm
Height	99 mm
Depth	114.5 mm

Material specifications

Color	green (RAL 6021)
Housing material	Polyamide PA non-reinforced

Environmental and real-life conditions

Ambient conditions

Ambient temperature (operation)	-20 °C ... 65 °C
---------------------------------	------------------

Approvals

CE

Certificate	CE-compliant
-------------	--------------

UL, USA/Canada

Identification	UL 508 Recognized
----------------	-------------------

Mounting

Mounting type	DIN rail mounting
Mounting position	any

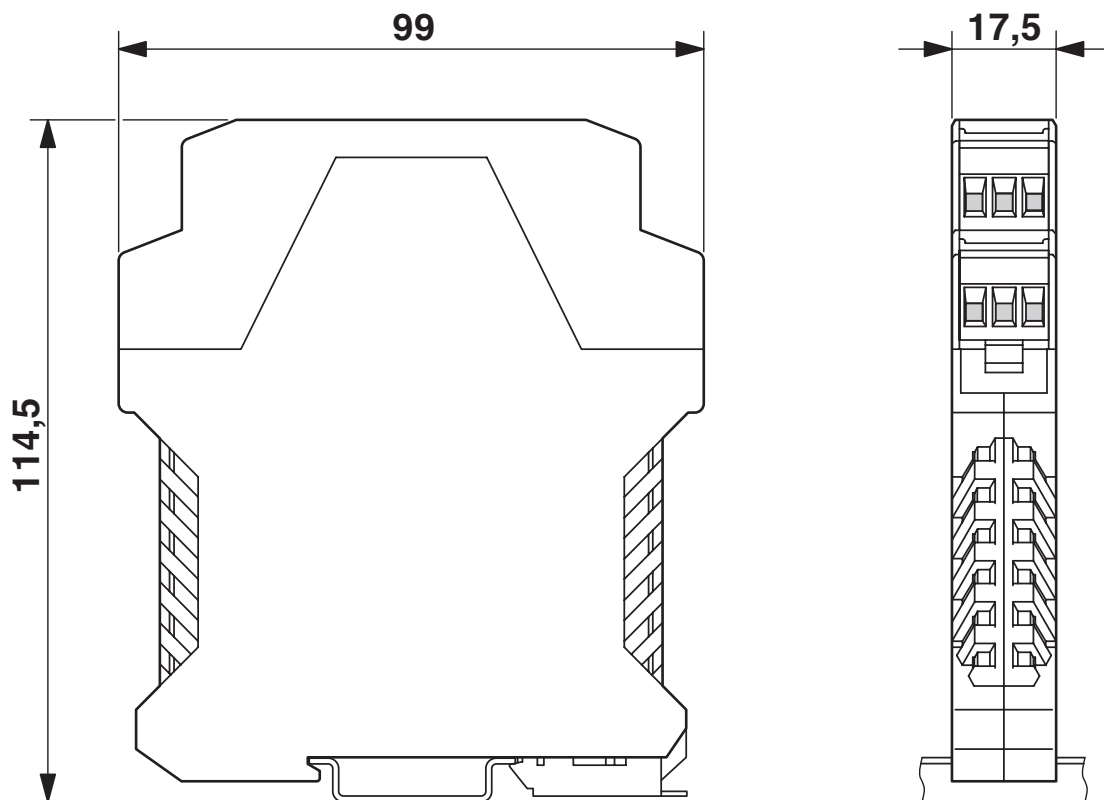
MCR-SWS-U - Limit value switch

2766465

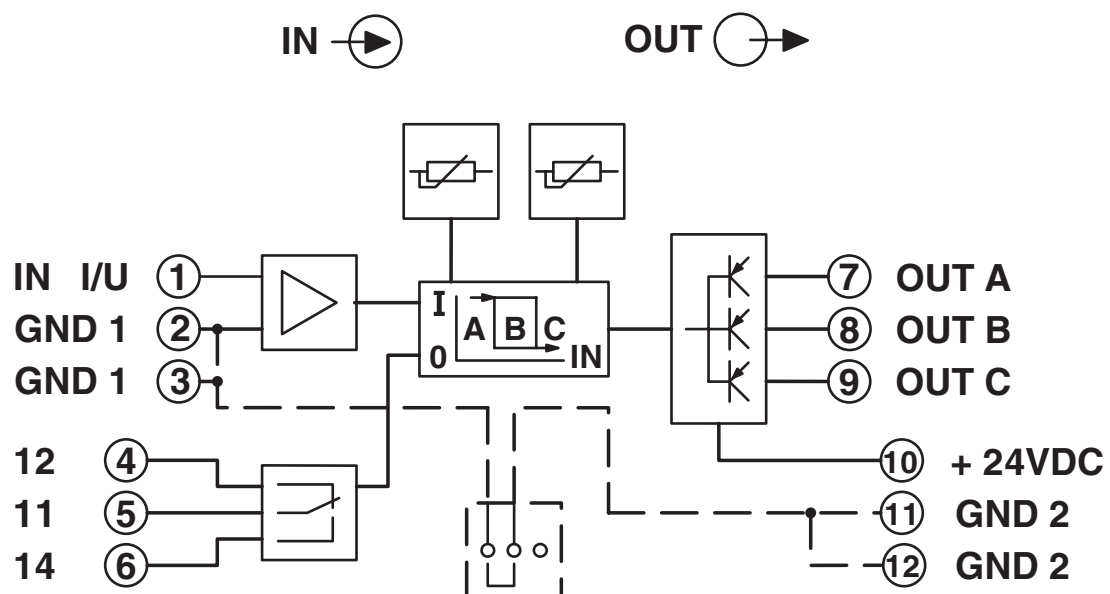
<https://www.phoenixcontact.com/us/products/2766465>

Drawings

Dimensional drawing



Circuit diagram



MCR-SWS-U - Limit value switch



2766465

<https://www.phoenixcontact.com/us/products/2766465>

Environmental product compliance

EU RoHS

Fulfills EU RoHS substance requirements	Yes
Exemption	6(c), 7(a), 7(c)-I

EU REACH SVHC

REACH candidate substance (CAS No.)	Lead(CAS: 7439-92-1)
-------------------------------------	----------------------

Phoenix Contact 2026 © - all rights reserved
<https://www.phoenixcontact.com>

Phoenix Contact USA
586 Fulling Mill Road
Middletown, PA 17057, United States
(+717) 944-1300
info@phoenixcon.com