

UEGM 40/2 GY OHNE LOGO - Electronics housing



2766407

<https://www.phoenixcontact.com/us/products/2766407>

Please be informed that the data shown in this PDF document is generated from our online catalog. Please find the complete data in the user documentation. Our general terms of use for downloads are valid.

Electronic housing, fully equipped with 6 screw connections per side for two PCBs



The figure shows a green version

Commercial data

Item number	2766407
Packing unit	10 pc
Minimum order quantity	10 pc
Product key	ACHCCB
GTIN	4017918273545
Weight per piece (including packing)	80.6 g
Weight per piece (excluding packing)	80.6 g
Country of origin	DE

2766407

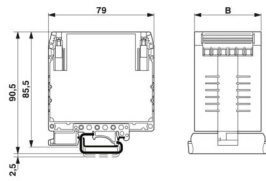
<https://www.phoenixcontact.com/us/products/2766407>

Technical data

Product properties

Product type	Complete housing
Housing type	Component housing
Housing type	Basic housing
Housing series	UEGM
Product family	UEGM 40
Type	Connection system integrated, housing closed
Number of positions	12
Ventilation openings present	no

Dimensions

Dimensional drawing	
Width	40 mm
Length	79 mm

Material specifications

Color (Housing)	gray (RAL 7042)
Material Housing	PA
Flammability rating according to UL 94	V2

Environmental and real-life conditions

Ambient conditions

Ambient temperature (operation)	-40 °C ... 105 °C
---------------------------------	-------------------

Mounting

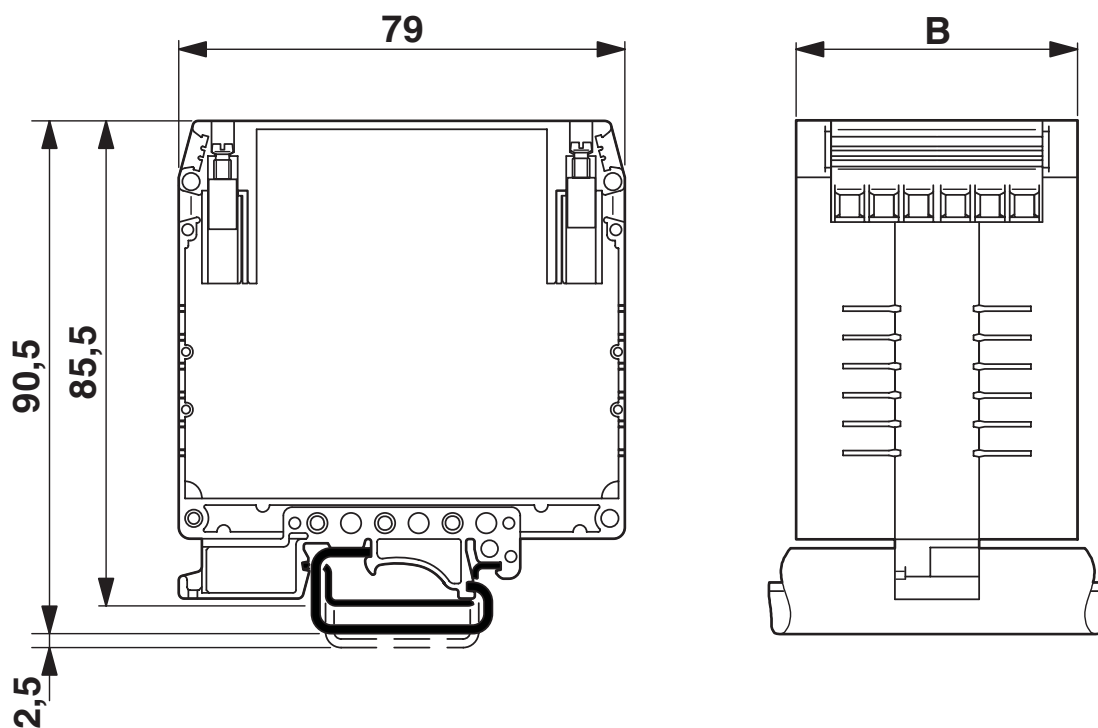
Mounting type	DIN rail mounting
---------------	-------------------

2766407

<https://www.phoenixcontact.com/us/products/2766407>

Drawings

Dimensional drawing



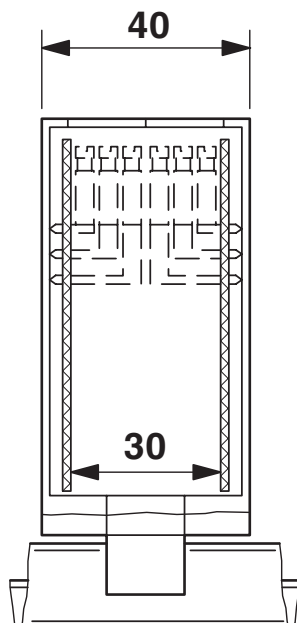
UEGM 40/2 GY OHNE LOGO - Electronics housing

2766407

<https://www.phoenixcontact.com/us/products/2766407>



Dimensional drawing



Dimensional drawing



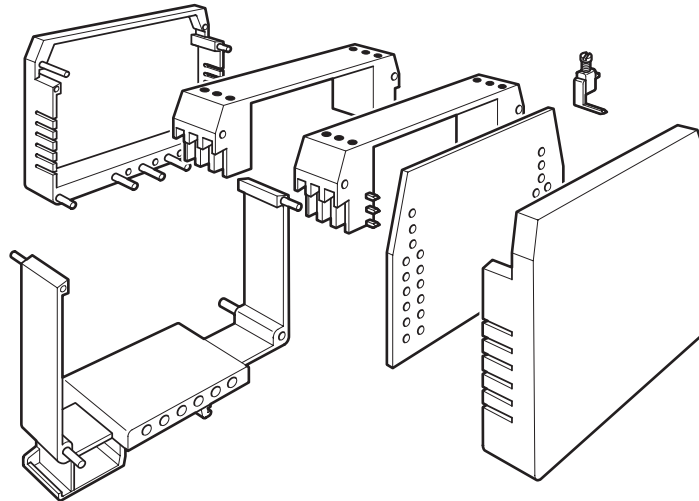
UEGM 40/2 GY OHNE LOGO - Electronics housing



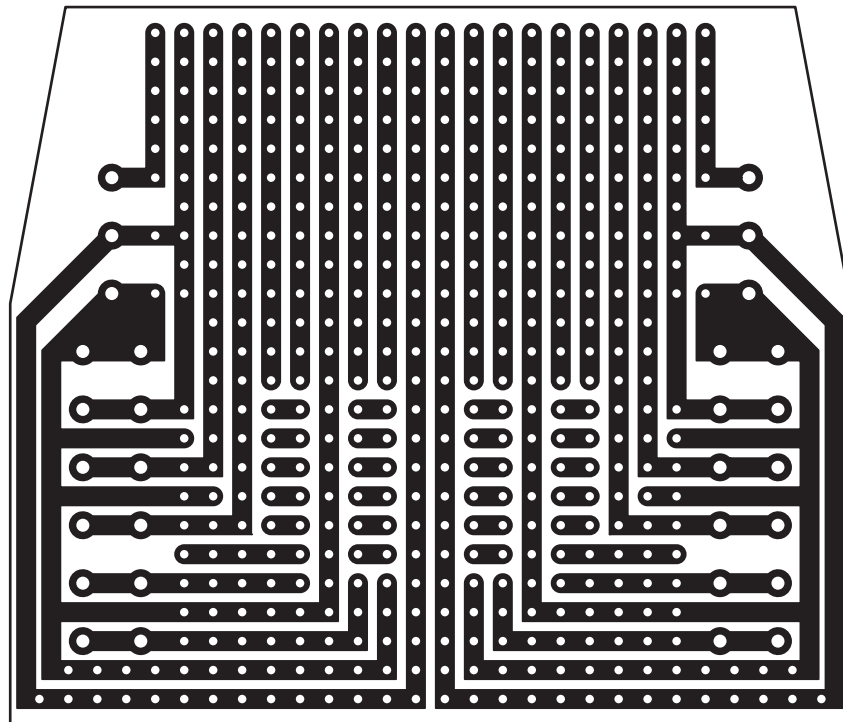
2766407

<https://www.phoenixcontact.com/us/products/2766407>

Exploded view



Schematic diagram



UEGM 40/2 GY OHNE LOGO - Electronics housing




2766407

<https://www.phoenixcontact.com/us/products/2766407>

Approvals

To download certificates, visit the product detail page: <https://www.phoenixcontact.com/us/products/2766407>

 cULus Recognized Approval ID: E60425-19770427		Nominal voltage U_N	Nominal current I_N	Cross section AWG	Cross section mm^2
B		300 V	10 A	30 - 12	-
D		300 V	10 A	30 - 12	-

2766407

<https://www.phoenixcontact.com/us/products/2766407>

Classifications

ECLASS

ECLASS-13.0	27190501
ECLASS-15.0	27190501

ETIM

ETIM 10.0	EC001031
-----------	----------

UNSPSC

UNSPSC 21.0	31261500
-------------	----------

2766407

<https://www.phoenixcontact.com/us/products/2766407>

Environmental product compliance

EU RoHS

Fulfills EU RoHS substance requirements	Yes, No exemptions
---	--------------------

China RoHS

Environment friendly use period (EFUP)	EFUP-E
	No hazardous substances above the limits

EU REACH SVHC

REACH candidate substance (CAS No.)	No substance above 0.1 wt%
-------------------------------------	----------------------------

Phoenix Contact 2026 © - all rights reserved
<https://www.phoenixcontact.com>

Phoenix Contact USA
586 Fulling Mill Road
Middletown, PA 17057, United States
(+717) 944-1300
info@phoenixcon.com