

# PAS-1 - Equipotential bonding strip

2765615

<https://www.phoenixcontact.com/us/products/2765615>

Please be informed that the data shown in this PDF document is generated from our online catalog. Please find the complete data in the user documentation. Our general terms of use for downloads are valid.

Equipotential busbar



## Product description

The PAS-1 equipotential busbar is designed for main equipotential bonding in accordance with DIN VDE 0185. PAS-1 has a comb-shaped contact bar. Nine loose slide-on terminal blocks are used to connect circular conductors with a cross-section of 2.5 mm<sup>2</sup> to 95 mm<sup>2</sup>. In addition, a 4 x 30 mm steel strip can be connected with the double terminal block (2), see figure below. Inside the sealable plastic cover there is a label where the designations of the connected conductors can be entered. PAS-1 carries the VDE mark as per DIN VDE 0618-1:2023-03.

## Commercial data

Item number	2765615
Packing unit	1 pc
Minimum order quantity	1 pc
Sales key	CL01
Product key	CL113Z
GTIN	4017918066475
Weight per piece (including packing)	380 g
Weight per piece (excluding packing)	380 g
Customs tariff number	85369010
Country of origin	DE

# PAS-1 - Equipotential bonding strip

2765615

<https://www.phoenixcontact.com/us/products/2765615>

## Technical data

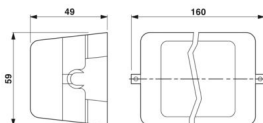
### Product properties

Product type	Equipotential bonding strip
--------------	-----------------------------

### Connection data

Connection method	Screw connection
Conductor cross-section rigid	2.5 mm <sup>2</sup> ... 95 mm <sup>2</sup>

### Dimensions

Dimensional drawing	
Width	59 mm
Height	149 mm
Depth	49 mm

### Material specifications

Color	black (RAL 9005)
	silver-colored

# PAS-1 - Equipotential bonding strip

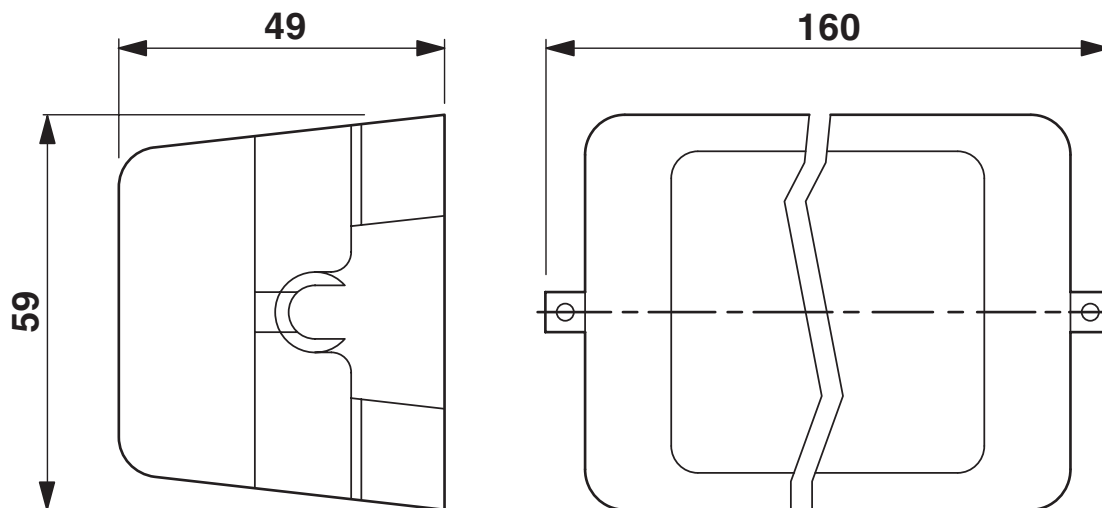
2765615

<https://www.phoenixcontact.com/us/products/2765615>



## Drawings

Dimensional drawing



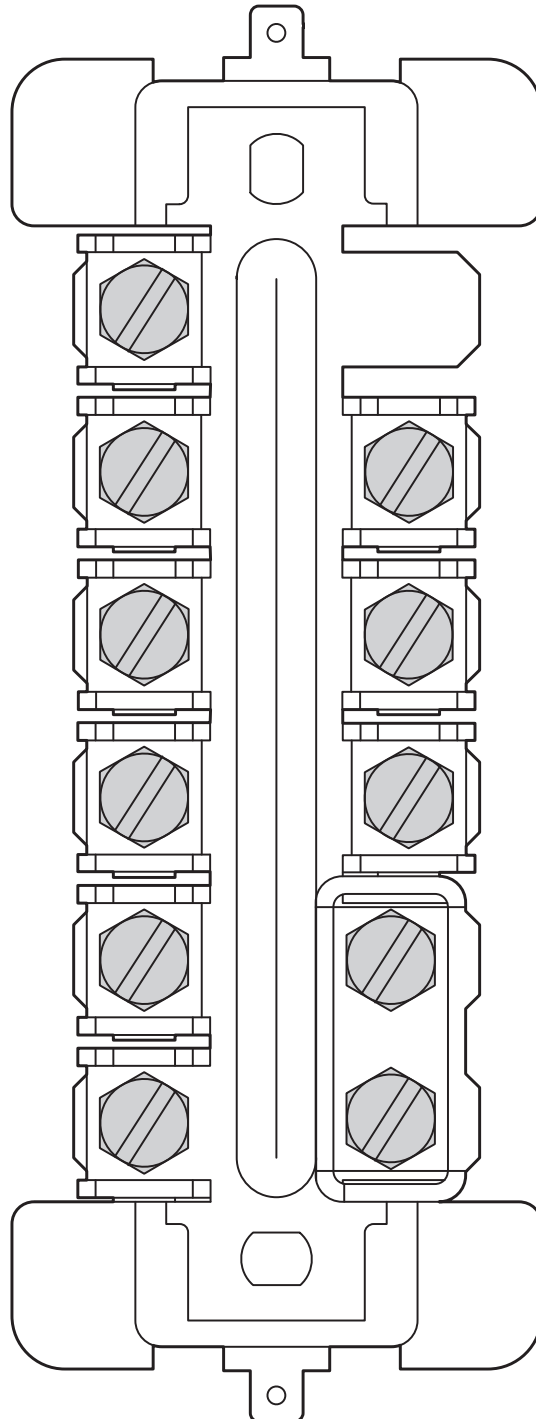
# PAS-1 - Equipotential bonding strip

2765615

<https://www.phoenixcontact.com/us/products/2765615>



Schematic diagram



# PAS-1 - Equipotential bonding strip




2765615

<https://www.phoenixcontact.com/us/products/2765615>

## Approvals

🔗 To download certificates, visit the product detail page: <https://www.phoenixcontact.com/us/products/2765615>

 <b>VDE Zeichengenehmigung</b> Approval ID: 73234		Nominal voltage $U_N$	Nominal current $I_N$	Cross section AWG	Cross section $\text{mm}^2$
keine					
Mark approval certificate	-	-	-	-	- 95

# PAS-1 - Equipotential bonding strip



2765615

<https://www.phoenixcontact.com/us/products/2765615>

## Classifications

### ECLASS

ECLASS-13.0	27171001
ECLASS-15.0	27171001

### ETIM

ETIM 10.0	EC001470
-----------	----------

### UNSPSC

UNSPSC 21.0	39121100
-------------	----------

# PAS-1 - Equipotential bonding strip



2765615

<https://www.phoenixcontact.com/us/products/2765615>

## Environmental product compliance

### EU RoHS

Fulfills EU RoHS substance requirements	Yes, No exemptions
---	--------------------

### China RoHS

Environment friendly use period (EFUP)	EFUP-E
	No hazardous substances above the limits

### EU REACH SVHC

REACH candidate substance (CAS No.)	No substance above 0.1 wt%
-------------------------------------	----------------------------

Phoenix Contact 2026 © - all rights reserved  
<https://www.phoenixcontact.com>

Phoenix Contact USA  
586 Fulling Mill Road  
Middletown, PA 17057, United States  
(+717) 944-1300  
[info@phoenixcon.com](mailto:info@phoenixcon.com)