

# EG 90-AG/PC GN - Upper housing part



2764991

<https://www.phoenixcontact.com/us/products/2764991>

Please be informed that the data shown in this PDF document is generated from our online catalog. Please find the complete data in the user documentation. Our general terms of use for downloads are valid.

Component housing, Cover, closed, width: 90 mm, height: 75 mm, color: green (similar RAL 6021)



## Your advantages

- Tool-free mounting

## Commercial data

Item number	2764991
Packing unit	10 pc
Minimum order quantity	10 pc
Sales key	AC11
Product key	ACHCGA
GTIN	4017918132026
Weight per piece (including packing)	33.07 g
Weight per piece (excluding packing)	26.398 g
Customs tariff number	85389099
Country of origin	PL

# EG 90-AG/PC GN - Upper housing part

2764991

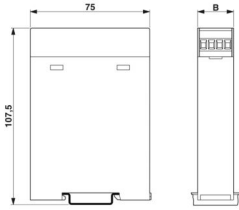
<https://www.phoenixcontact.com/us/products/2764991>

## Technical data

### Product properties

Product type	Upper housing part
Housing type	Component housing
Housing series	EG
Product family	EG...A
Number of positions	34
Number (Connection openings)	0
Ventilation openings present	no

### Dimensions

Dimensional drawing	
Width	90 mm
Height	75 mm

### PCB design

PCB thickness	1.4 mm ... 1.8 mm
---------------	-------------------

### Material specifications

Color (Upper housing part)	green (RAL 6021)
Material Upper housing part	PC
Flammability rating according to UL 94	V0

### Environmental and real-life conditions

#### Ambient conditions

Max. IP code to attain	IP20
Ambient temperature (operation)	-40 °C ... 105 °C (depending on power dissipation)
Ambient temperature (storage/transport)	-40 °C ... 70 °C
Ambient temperature (assembly)	-5 °C ... 100 °C

### PCB data

Thickness of the PCB	1.4 mm ... 1.8 mm
----------------------	-------------------

### Mounting

Mounting type	Snap in
---------------	---------

# EG 90-AG/PC GN - Upper housing part

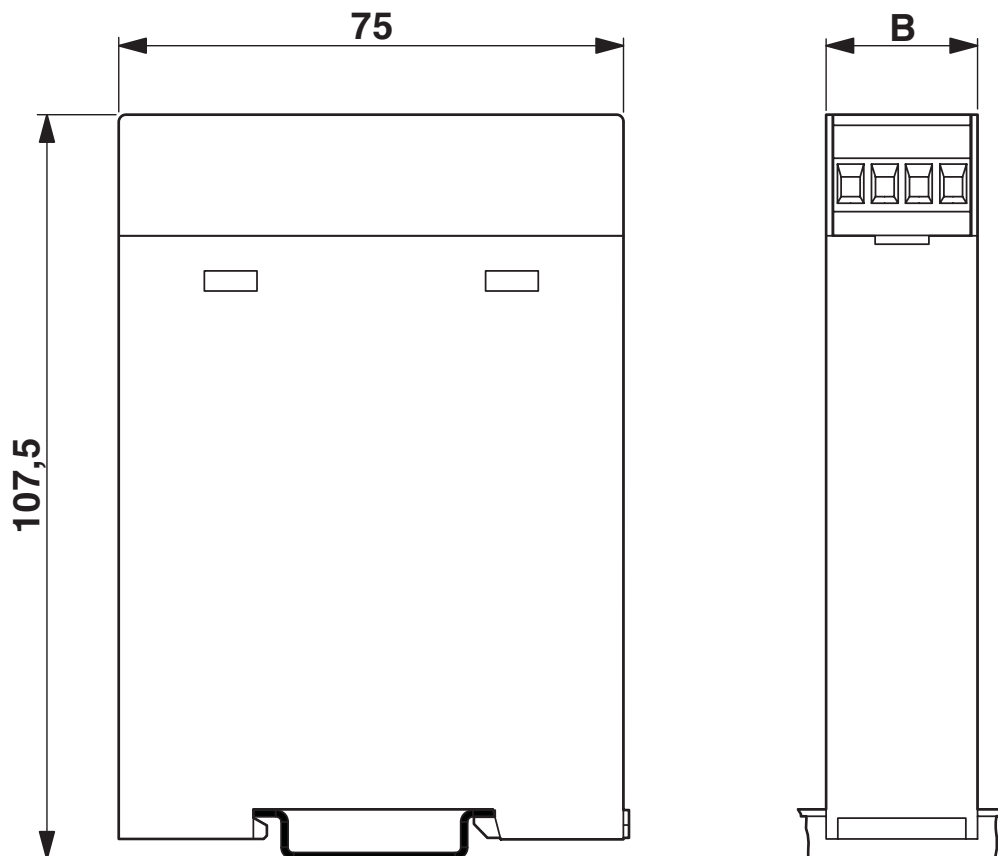
2764991

<https://www.phoenixcontact.com/us/products/2764991>



## Drawings

Dimensional drawing



# EG 90-AG/PC GN - Upper housing part



2764991

<https://www.phoenixcontact.com/us/products/2764991>



Component mounting side, if the double-level upper part is used

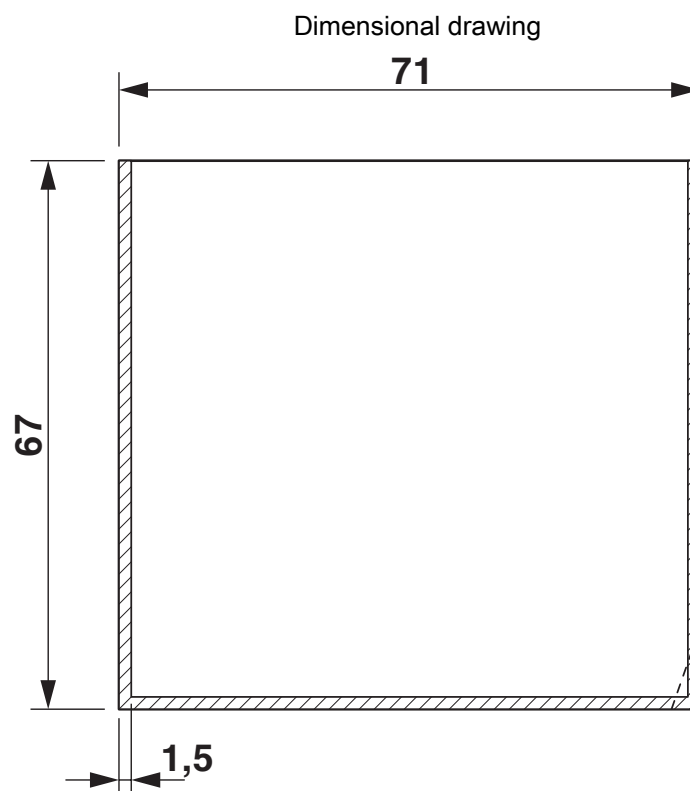
# EG 90-AG/PC GN - Upper housing part

2764991

<https://www.phoenixcontact.com/us/products/2764991>



valid for PCB 1; 2; 3; 4; 5 und 6, see explosion drawing



valid for PCB 7; 8; 11 and 12, see explosion drawing

# EG 90-AG/PC GN - Upper housing part

2764991

<https://www.phoenixcontact.com/us/products/2764991>

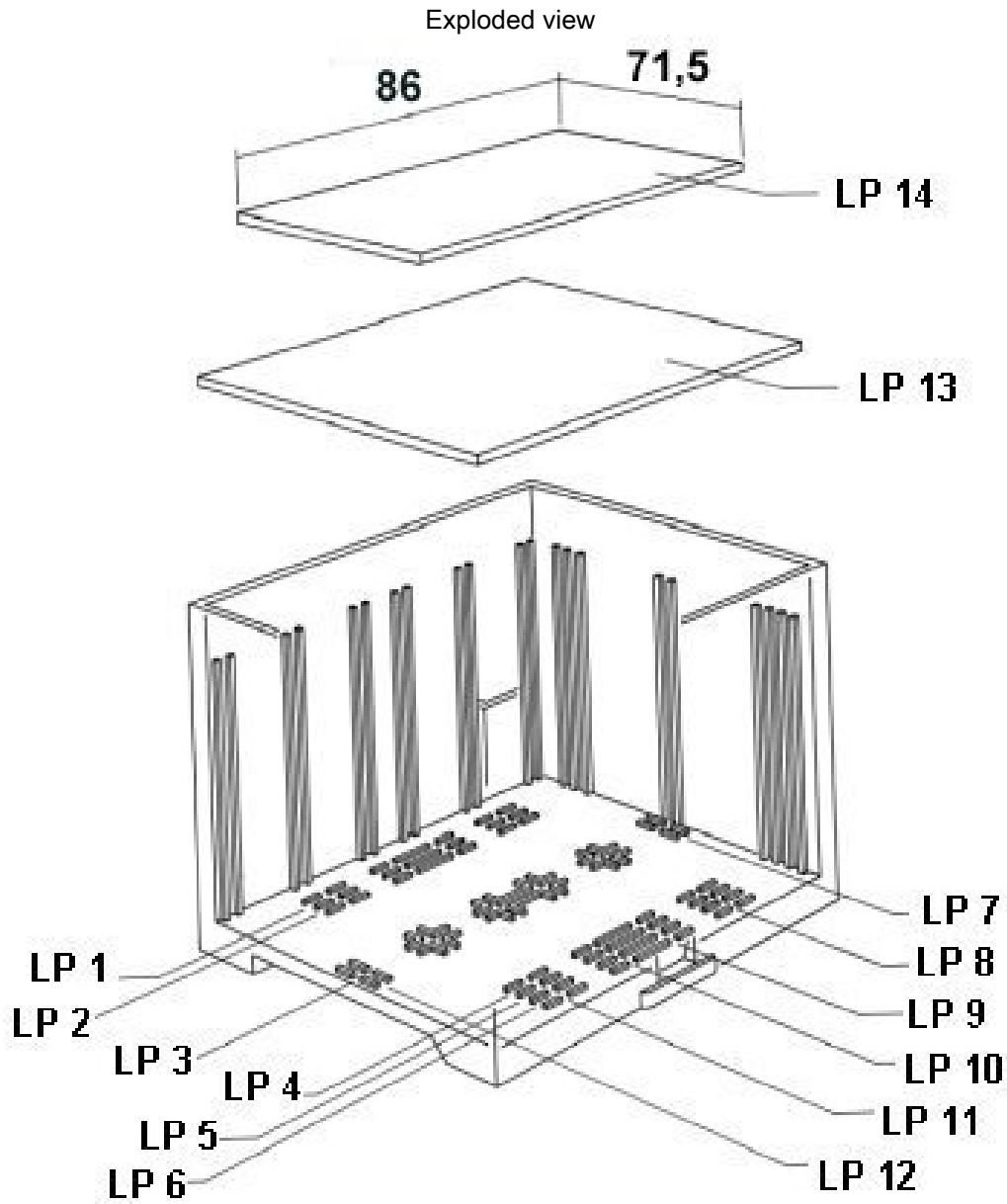


valid for PCB 9 and 10, see explosion drawing

# EG 90-AG/PC GN - Upper housing part

2764991

<https://www.phoenixcontact.com/us/products/2764991>



valid for PCB 13

# EG 90-AG/PC GN - Upper housing part

2764991

<https://www.phoenixcontact.com/us/products/2764991>



valid for PCB 14

# EG 90-AG/PC GN - Upper housing part



2764991

<https://www.phoenixcontact.com/us/products/2764991>

## Approvals

To download certificates, visit the product detail page: <https://www.phoenixcontact.com/us/products/2764991>



**UL Recognized**

Approval ID: E240868

# EG 90-AG/PC GN - Upper housing part



2764991

<https://www.phoenixcontact.com/us/products/2764991>

## Classifications

### ECLASS

ECLASS-13.0	27190603
ECLASS-15.0	27190603

### ETIM

ETIM 10.0	EC002779
-----------	----------

### UNSPSC

UNSPSC 21.0	31261500
-------------	----------

# EG 90-AG/PC GN - Upper housing part



2764991

<https://www.phoenixcontact.com/us/products/2764991>

## Environmental product compliance

### EU RoHS

Fulfills EU RoHS substance requirements	Yes, No exemptions
---	--------------------

### China RoHS

Environment friendly use period (EFUP)	EFUP-E
	No hazardous substances above the limits

### EU REACH SVHC

REACH candidate substance (CAS No.)	No substance above 0.1 wt%
-------------------------------------	----------------------------

### EF3.1 Climate Change

CO2e kg	0.152 kg CO2e
---------	---------------

Phoenix Contact 2026 © - all rights reserved  
<https://www.phoenixcontact.com>

Phoenix Contact USA  
586 Fulling Mill Road  
Middletown, PA 17057, United States  
(+717) 944-1300  
[info@phoenixcon.com](mailto:info@phoenixcon.com)