

EG 90-AE/PC GN - Electronics housing

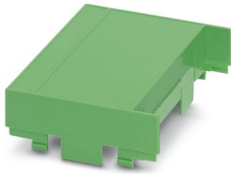


2764975

<https://www.phoenixcontact.com/us/products/2764975>

Please be informed that the data shown in this PDF document is generated from our online catalog. Please find the complete data in the user documentation. Our general terms of use for downloads are valid.

Housing cover, for connection on one side



The figure shows a fully mounted version of the electronic housing

Commercial data

Item number	2764975
Packing unit	10 pc
Sales key	AC11
Product key	ACHCGA
GTIN	4017918132019
Weight per piece (including packing)	29.54 g
Weight per piece (excluding packing)	23.04 g
Customs tariff number	85369010
Country of origin	DE

2764975

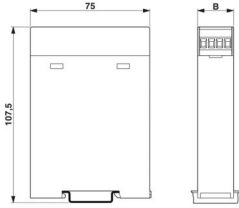
<https://www.phoenixcontact.com/us/products/2764975>

Technical data

Product properties

Product type	Upper housing part
Housing type	Component housing
Product family	EG..-A
Number of positions	34

Dimensions

Dimensional drawing	
Width	90 mm
Installed height	17.5 mm
Depth	75 mm
Length	75 mm

Material specifications

Color	green
Flammability rating according to UL 94	V0
Housing material	PC

Environmental and real-life conditions

Ambient conditions

Ambient temperature (operation)	80 °C
---------------------------------	-------

Mounting

Mounting type	Snap in
---------------	---------

EG 90-AE/PC GN - Electronics housing

2764975

<https://www.phoenixcontact.com/us/products/2764975>



Drawings

Dimensional drawing



EG 90-AE/PC GN - Electronics housing



2764975

<https://www.phoenixcontact.com/us/products/2764975>



Component mounting side, if the double-level upper part is used

EG 90-AE/PC GN - Electronics housing

2764975

<https://www.phoenixcontact.com/us/products/2764975>



valid for PCB 1; 2; 3; 4; 5 und 6, see explosion drawing



valid for PCB 7; 8; 11 and 12, see explosion drawing

EG 90-AE/PC GN - Electronics housing

2764975

<https://www.phoenixcontact.com/us/products/2764975>



valid for PCB 9 and 10, see explosion drawing

EG 90-AE/PC GN - Electronics housing

2764975

<https://www.phoenixcontact.com/us/products/2764975>



valid for PCB 13

EG 90-AE/PC GN - Electronics housing

2764975

<https://www.phoenixcontact.com/us/products/2764975>



valid for PCB 14

EG 90-AE/PC GN - Electronics housing



2764975

<https://www.phoenixcontact.com/us/products/2764975>

Environmental product compliance

EU RoHS

Fulfills EU RoHS substance requirements	Yes, No exemptions
---	--------------------

China RoHS

Environment friendly use period (EFUP)	EFUP-E
	No hazardous substances above the limits

EU REACH SVHC

REACH candidate substance (CAS No.)	No substance above 0.1 wt%
-------------------------------------	----------------------------

Phoenix Contact 2026 © - all rights reserved
<https://www.phoenixcontact.com>

Phoenix Contact USA
586 Fulling Mill Road
Middletown, PA 17057, United States
(+717) 944-1300
info@phoenixcon.com