

EG 90-GMF/PC GN - Mounting base housing



2764959

<https://www.phoenixcontact.com/us/products/2764959>

Please be informed that the data shown in this PDF document is generated from our online catalog. Please find the complete data in the user documentation. Our general terms of use for downloads are valid.



The figure shows a fully mounted version of the electronic housing

Component housing, Lower housing part with metal foot catch, without vents, width: 90 mm, height: 75 mm, color: green (similar RAL 6021), cross connection: without bus connector, number of positions cross connector: not relevant

Your advantages

- Tool-free mounting

Commercial data

Item number	2764959
Packing unit	10 pc
Minimum order quantity	1 pc
Sales key	AC11
Product key	ACHCGA
GTIN	4017918131999
Weight per piece (including packing)	101.15 g
Weight per piece (excluding packing)	80.031 g
Customs tariff number	85389099
Country of origin	PL

EG 90-GMF/PC GN - Mounting base housing

2764959

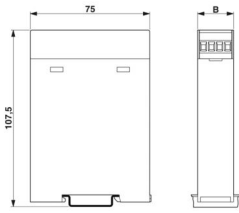
<https://www.phoenixcontact.com/us/products/2764959>

Technical data

Product properties

Product type	Lower housing part
Housing type	Component housing
Housing series	EG
Product family	EG...G
Type	Lower housing part closed, housing cover necessary to complete the module
Number of positions	34
Max. number of positions	0)
Ventilation openings present	no

Dimensions

Dimensional drawing	
Width	90 mm
Height	75 mm

PCB design

PCB thickness	1.4 mm ... 1.8 mm
---------------	-------------------

Material specifications

Color (Lower housing part)	green (RAL 6021)
Material	PC
Flammability rating according to UL 94	V0

Environmental and real-life conditions

Power dissipation single housing for 20 °C

Ambient temperature	20 °C
Reduction factor	1

Power dissipation single housing for 30 °C

Ambient temperature	30 °C
Reduction factor	0.8

Power dissipation single housing for 40 °C

Ambient temperature	40 °C
Reduction factor	0.62

EG 90-GMF/PC GN - Mounting base housing



2764959

<https://www.phoenixcontact.com/us/products/2764959>

Power dissipation single housing for 50 °C

Ambient temperature	50 °C
Reduction factor	0.47

Power dissipation single housing for 60 °C

Ambient temperature	60 °C
Reduction factor	0.3

Ambient conditions

Max. IP code to attain	IP20
Ambient temperature (operation)	-40 °C ... 105 °C (depending on power dissipation)
Ambient temperature (storage/transport)	-40 °C ... 70 °C
Ambient temperature (assembly)	-5 °C ... 100 °C

PCB data

Thickness of the PCB	1.4 mm ... 1.8 mm
----------------------	-------------------

Mounting

Mounting type	DIN rail mounting
---------------	-------------------

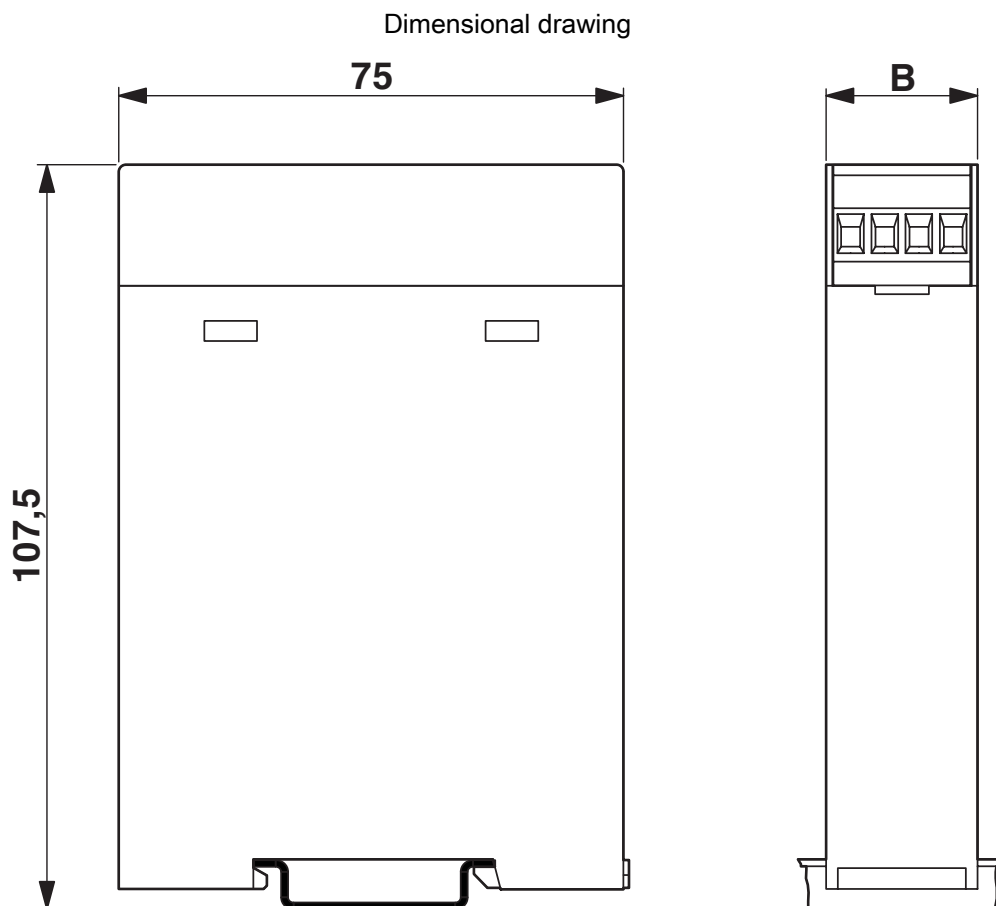
EG 90-GMF/PC GN - Mounting base housing

2764959

<https://www.phoenixcontact.com/us/products/2764959>



Drawings



EG 90-GMF/PC GN - Mounting base housing

2764959

<https://www.phoenixcontact.com/us/products/2764959>

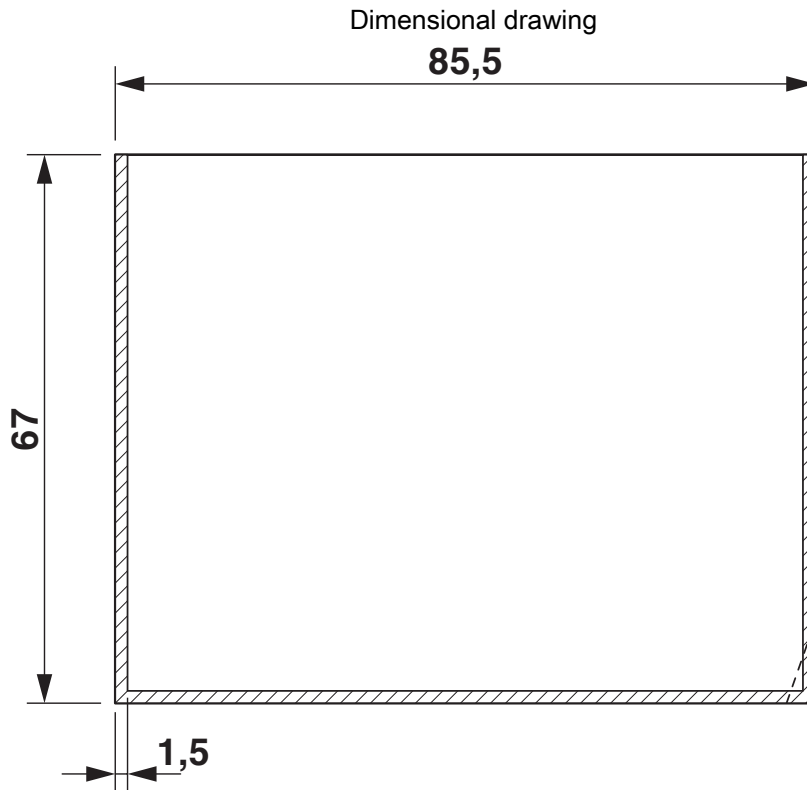


Component mounting side, if the double-level upper part is used

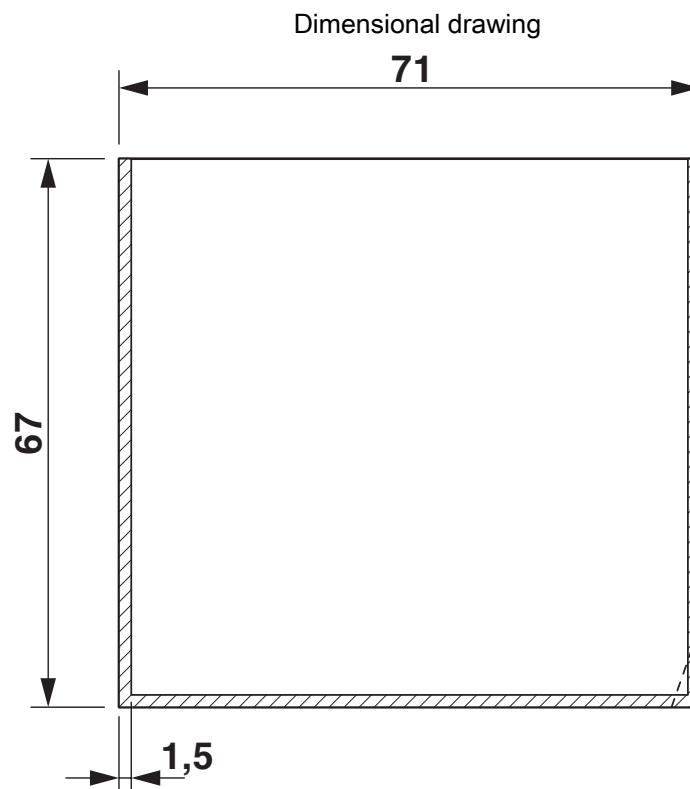
EG 90-GMF/PC GN - Mounting base housing

2764959

<https://www.phoenixcontact.com/us/products/2764959>



valid for PCB 1; 2; 3; 4; 5 und 6, see explosion drawing

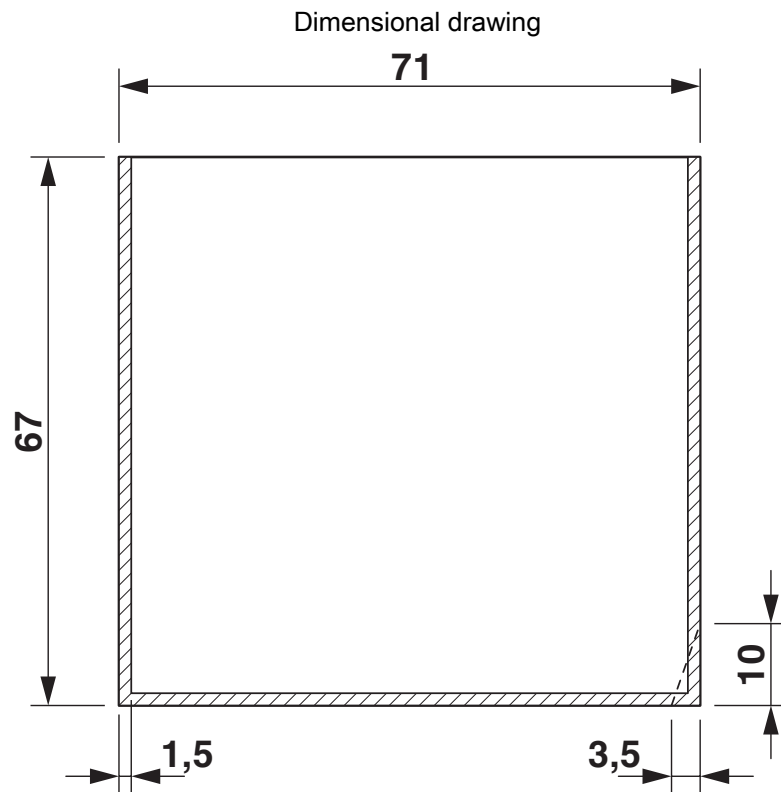


valid for PCB 7; 8; 11 and 12, see explosion drawing

EG 90-GMF/PC GN - Mounting base housing

2764959

<https://www.phoenixcontact.com/us/products/2764959>

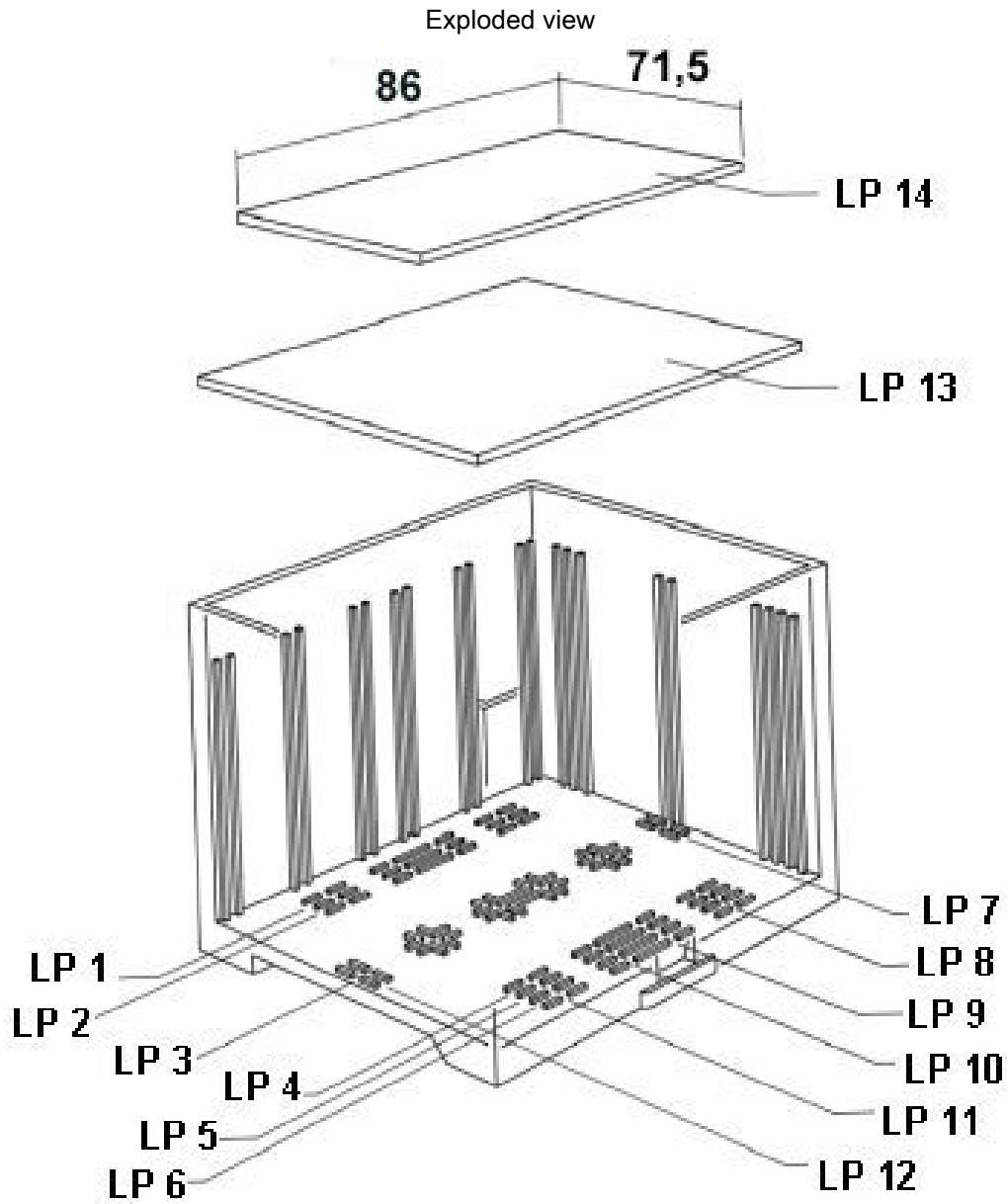


valid for PCB 9 and 10, see explosion drawing

EG 90-GMF/PC GN - Mounting base housing

2764959

<https://www.phoenixcontact.com/us/products/2764959>

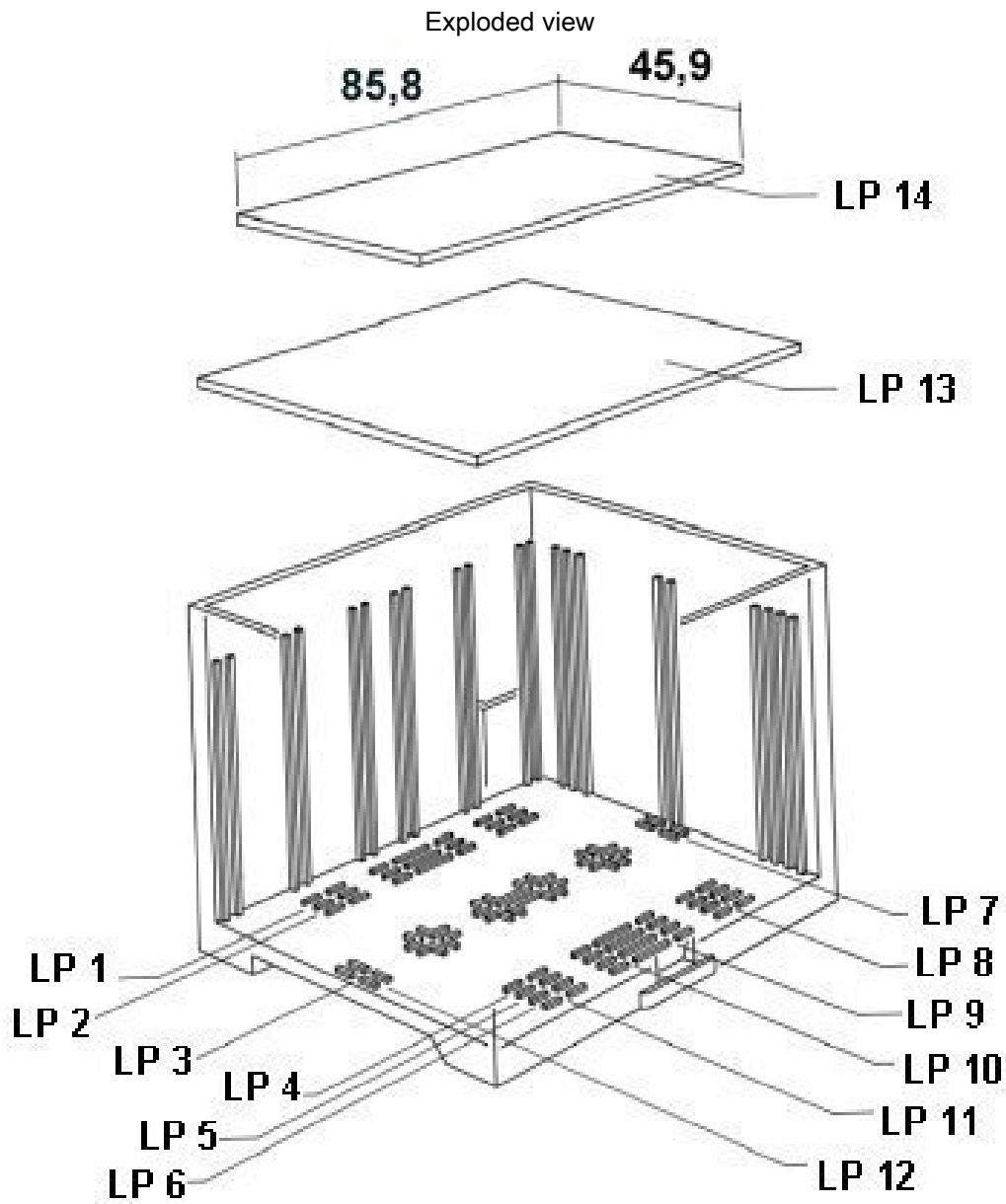


valid for PCB 13

EG 90-GMF/PC GN - Mounting base housing

2764959

<https://www.phoenixcontact.com/us/products/2764959>



valid for PCB 14

EG 90-GMF/PC GN - Mounting base housing



2764959

<https://www.phoenixcontact.com/us/products/2764959>

Approvals

To download certificates, visit the product detail page: <https://www.phoenixcontact.com/us/products/2764959>



UL Recognized

Approval ID: E240868

EG 90-GMF/PC GN - Mounting base housing



2764959

<https://www.phoenixcontact.com/us/products/2764959>

Classifications

ECLASS

ECLASS-13.0	27190601
ECLASS-15.0	27190601

ETIM

ETIM 10.0	EC002779
-----------	----------

UNSPSC

UNSPSC 21.0	31261500
-------------	----------

EG 90-GMF/PC GN - Mounting base housing



2764959

<https://www.phoenixcontact.com/us/products/2764959>

Environmental product compliance

EU RoHS

Fulfills EU RoHS substance requirements	Yes, No exemptions
---	--------------------

China RoHS

Environment friendly use period (EFUP)	EFUP-E
	No hazardous substances above the limits

EU REACH SVHC

REACH candidate substance (CAS No.)	No substance above 0.1 wt%
-------------------------------------	----------------------------

EF3.1 Climate Change

CO2e kg	0.44 kg CO2e
---------	--------------

Phoenix Contact 2026 © - all rights reserved
<https://www.phoenixcontact.com>

Phoenix Contact USA
586 Fulling Mill Road
Middletown, PA 17057, United States
(+717) 944-1300
info@phoenixcon.com