

EG 67,5-AG/PC GN - Upper housing part



2764946

<https://www.phoenixcontact.com/us/products/2764946>

Please be informed that the data shown in this PDF document is generated from our online catalog. Please find the complete data in the user documentation. Our general terms of use for downloads are valid.

Component housing, Cover, closed, width: 67.5 mm, depth: 75 mm, color: green (similar RAL 6021)



Commercial data

Item number	2764946
Packing unit	12 pc
Minimum order quantity	12 pc
Sales key	AC11
Product key	ACHCGA
GTIN	4017918131982
Weight per piece (including packing)	26.1 g
Weight per piece (excluding packing)	21.16 g
Customs tariff number	85389099
Country of origin	PL

EG 67,5-AG/PC GN - Upper housing part

2764946

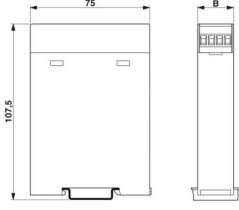
<https://www.phoenixcontact.com/us/products/2764946>

Technical data

Product properties

Product type	Upper housing part
Housing type	Component housing
Housing series	EG
Product family	EG...A
Number of positions	26
Number (Connection openings)	0

Dimensions

Dimensional drawing	
Width	67.5 mm
Depth	75 mm

Material specifications

Color (Housing)	green (RAL 6021)
Material Housing	PC
Surface characteristics	untreated

Mounting

Mounting type	Snap in
---------------	---------

EG 67,5-AG/PC GN - Upper housing part

2764946

<https://www.phoenixcontact.com/us/products/2764946>



Drawings

Dimensional drawing



EG 67,5-AG/PC GN - Upper housing part

2764946

<https://www.phoenixcontact.com/us/products/2764946>

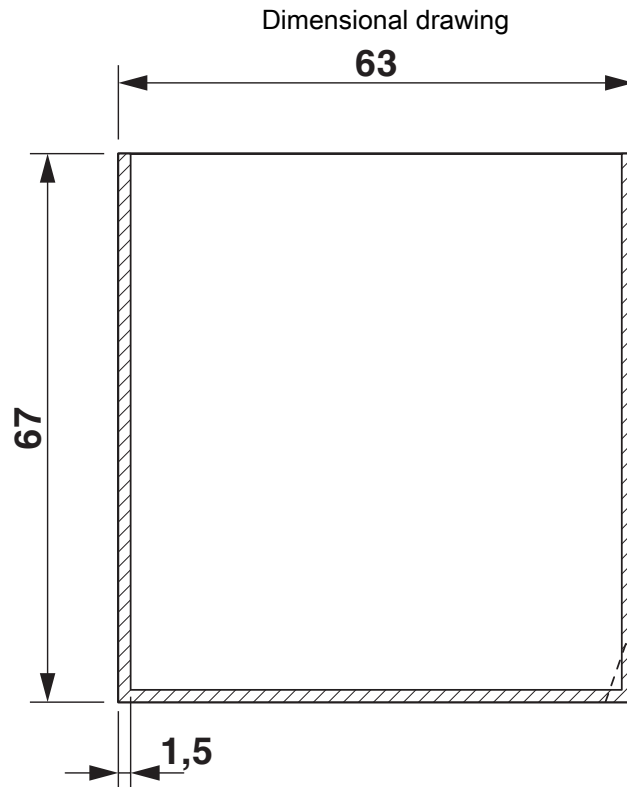


Component mounting side, if the double-level upper part is used

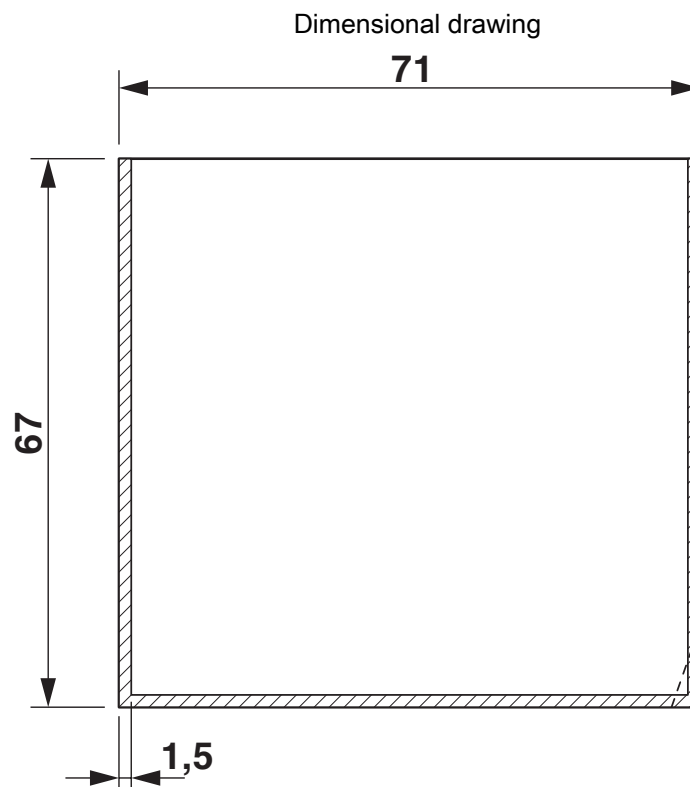
EG 67,5-AG/PC GN - Upper housing part

2764946

<https://www.phoenixcontact.com/us/products/2764946>



valid for PCB 1; 2; 3; 4; 5 und 6, see explosion drawing

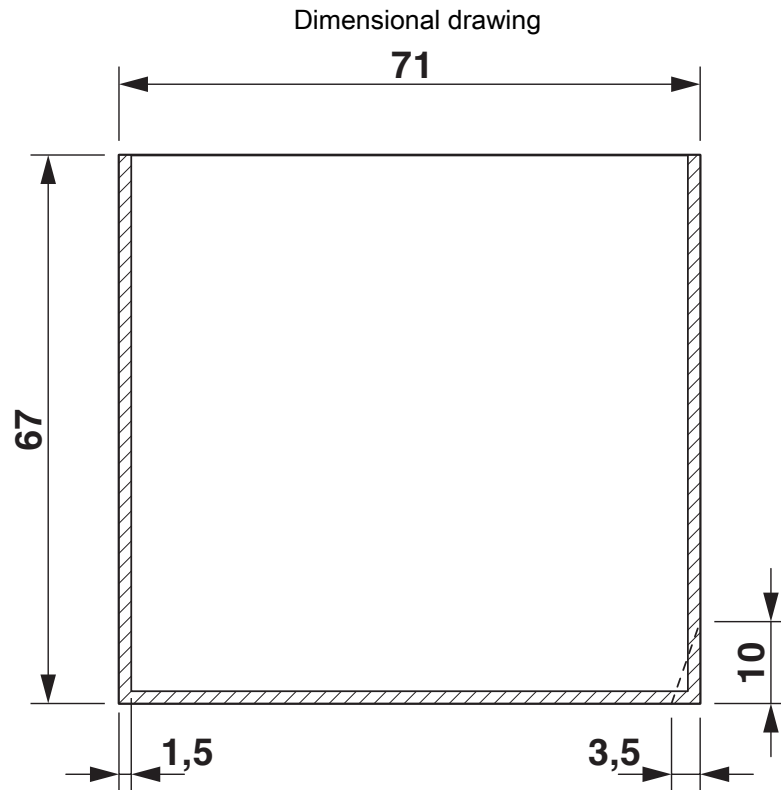


valid for PCB 7; 8; 11 and 12, see explosion drawing

EG 67,5-AG/PC GN - Upper housing part

2764946

<https://www.phoenixcontact.com/us/products/2764946>



valid for PCB 9, see explosion drawing

EG 67,5-AG/PC GN - Upper housing part

2764946

<https://www.phoenixcontact.com/us/products/2764946>



valid for PCB 13

EG 67,5-AG/PC GN - Upper housing part

2764946

<https://www.phoenixcontact.com/us/products/2764946>



valid for PCB 14

EG 67,5-AG/PC GN - Upper housing part



2764946

<https://www.phoenixcontact.com/us/products/2764946>

Approvals

To download certificates, visit the product detail page: <https://www.phoenixcontact.com/us/products/2764946>



UL Recognized

Approval ID: E240868

EG 67,5-AG/PC GN - Upper housing part



2764946

<https://www.phoenixcontact.com/us/products/2764946>

Classifications

ECLASS

ECLASS-13.0	27190603
ECLASS-15.0	27190603

ETIM

ETIM 10.0	EC002779
-----------	----------

UNSPSC

UNSPSC 21.0	31261500
-------------	----------

EG 67,5-AG/PC GN - Upper housing part



2764946

<https://www.phoenixcontact.com/us/products/2764946>

Environmental product compliance

EU RoHS

Fulfills EU RoHS substance requirements	Yes, No exemptions
---	--------------------

China RoHS

Environment friendly use period (EFUP)	EFUP-E
	No hazardous substances above the limits

EU REACH SVHC

REACH candidate substance (CAS No.)	No substance above 0.1 wt%
-------------------------------------	----------------------------

Phoenix Contact 2026 © - all rights reserved
<https://www.phoenixcontact.com>

Phoenix Contact USA
586 Fulling Mill Road
Middletown, PA 17057, United States
(+717) 944-1300
info@phoenixcon.com