

EG 67,5-GMFP/PC GN - Electronics housing



2764917

<https://www.phoenixcontact.com/us/products/2764917>

Please be informed that the data shown in this PDF document is generated from our online catalog. Please find the complete data in the user documentation. Our general terms of use for downloads are valid.



Housing base, with metal foot catch and test opening with side cover

The figure shows a fully mounted version of the electronic housing

Commercial data

Item number	2764917
Packing unit	10 pc
Sales key	AC11
Product key	ACHCGA
GTIN	4017918131951
Weight per piece (including packing)	83.7 g
Weight per piece (excluding packing)	68.508 g
Customs tariff number	85369010
Country of origin	DE

2764917

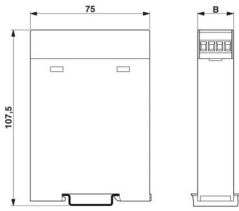
<https://www.phoenixcontact.com/us/products/2764917>

Technical data

Product properties

Housing type	Component housing
Type	Lower housing parts with test opening with side cover, housing cover necessary to complete the module
Number of positions	26

Dimensions

Dimensional drawing	
Width	67.5 mm
Installed height	107.5 mm
Height NS 35/7,5	107.5 mm
Depth	75 mm
Length	75 mm

Material specifications

Color	green
Flammability rating according to UL 94	V0
Housing material	PC

Environmental and real-life conditions

Ambient conditions

Ambient temperature (operation)	-40 °C ... 125 °C
---------------------------------	-------------------

Mounting

Mounting type	DIN rail mounting
---------------	-------------------

EG 67,5-GMFP/PC GN - Electronics housing

2764917

<https://www.phoenixcontact.com/us/products/2764917>



Drawings

Dimensional drawing



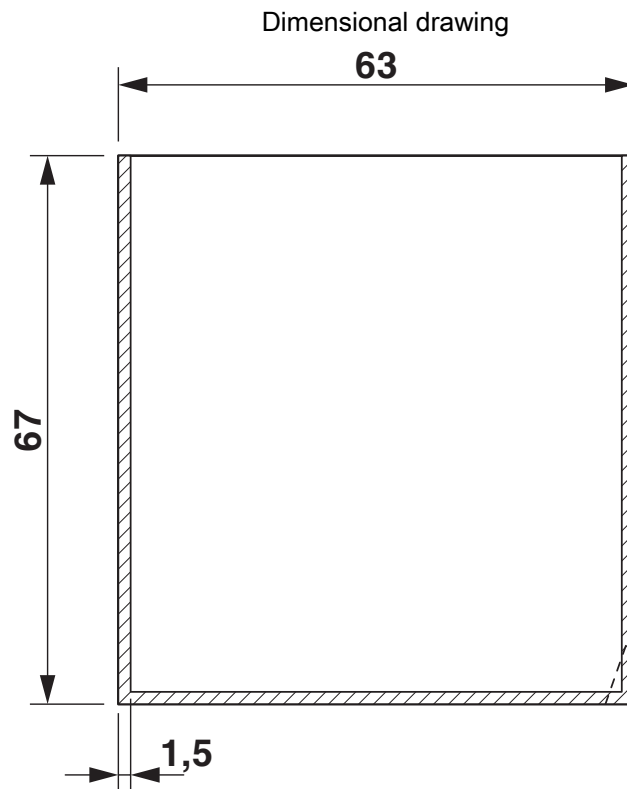


Component mounting side, if the double-level upper part is used

EG 67,5-GMFP/PC GN - Electronics housing

2764917

<https://www.phoenixcontact.com/us/products/2764917>



valid for PCB 1; 2; 3; 4; 5 und 6, see explosion drawing



valid for PCB 7; 8; 11 and 12, see explosion drawing

EG 67,5-GMFP/PC GN - Electronics housing

2764917

<https://www.phoenixcontact.com/us/products/2764917>



valid for PCB 9, see explosion drawing

EG 67,5-GMFP/PC GN - Electronics housing

2764917

<https://www.phoenixcontact.com/us/products/2764917>



valid for PCB 13

EG 67,5-GMFP/PC GN - Electronics housing

2764917

<https://www.phoenixcontact.com/us/products/2764917>



valid for PCB 14

2764917

<https://www.phoenixcontact.com/us/products/2764917>

Environmental product compliance

China RoHS

Environment friendly use period (EFUP)	EFUP-E
	No hazardous substances above the limits

EU REACH SVHC

REACH candidate substance (CAS No.)	No substance above 0.1 wt%
-------------------------------------	----------------------------

Phoenix Contact 2026 © - all rights reserved
<https://www.phoenixcontact.com>

Phoenix Contact USA
586 Fulling Mill Road
Middletown, PA 17057, United States
(+717) 944-1300
info@phoenixcon.com