

EG 45-A/PC GN - Upper housing part



2764878

<https://www.phoenixcontact.com/us/products/2764878>

Please be informed that the data shown in this PDF document is generated from our online catalog. Please find the complete data in the user documentation. Our general terms of use for downloads are valid.

Housing cover, for connection on both sides



Your advantages

- Tool-free mounting

Commercial data

| | |
|--------------------------------------|---------------|
| Item number | 2764878 |
| Packing unit | 20 pc |
| Minimum order quantity | 20 pc |
| Sales key | AC11 |
| Product key | ACHCGA |
| GTIN | 4017918119676 |
| Weight per piece (including packing) | 15.91 g |
| Weight per piece (excluding packing) | 12.1 g |
| Customs tariff number | 85389099 |
| Country of origin | PL |

EG 45-A/PC GN - Upper housing part

2764878

<https://www.phoenixcontact.com/us/products/2764878>

Technical data

Product properties

| | |
|------------------------------|--------------------|
| Product type | Upper housing part |
| Housing type | Component housing |
| Housing series | EG |
| Product family | EG...A |
| Number of positions | 16 |
| Number (Connection openings) | 2 |
| Ventilation openings present | no |

Dimensions

| | |
|---------------------|---|
| Dimensional drawing |  |
| Width | 45 mm |
| Height | 75 mm |

PCB design

| | |
|---------------|-------------------|
| PCB thickness | 1.4 mm ... 1.8 mm |
|---------------|-------------------|

Material specifications

| | |
|--|------------------|
| Color (Upper housing part) | green (RAL 6021) |
| Material Upper housing part | PC |
| Flammability rating according to UL 94 | V0 |
| Surface characteristics | untreated |

Environmental and real-life conditions

Ambient conditions

| | |
|---|--|
| Max. IP code to attain | IP20 |
| Ambient temperature (operation) | -40 °C ... 105 °C (depending on power dissipation) |
| Ambient temperature (storage/transport) | -40 °C ... 70 °C |
| Ambient temperature (assembly) | -5 °C ... 100 °C |

PCB data

| | |
|----------------------|-------------------|
| Thickness of the PCB | 1.4 mm ... 1.8 mm |
|----------------------|-------------------|

Mounting

| | |
|---------------|---------|
| Mounting type | Snap in |
|---------------|---------|

EG 45-A/PC GN - Upper housing part

2764878

<https://www.phoenixcontact.com/us/products/2764878>



Drawings

Dimensional drawing



EG 45-A/PC GN - Upper housing part



2764878

<https://www.phoenixcontact.com/us/products/2764878>



Component mounting side, if the double-level upper part is used

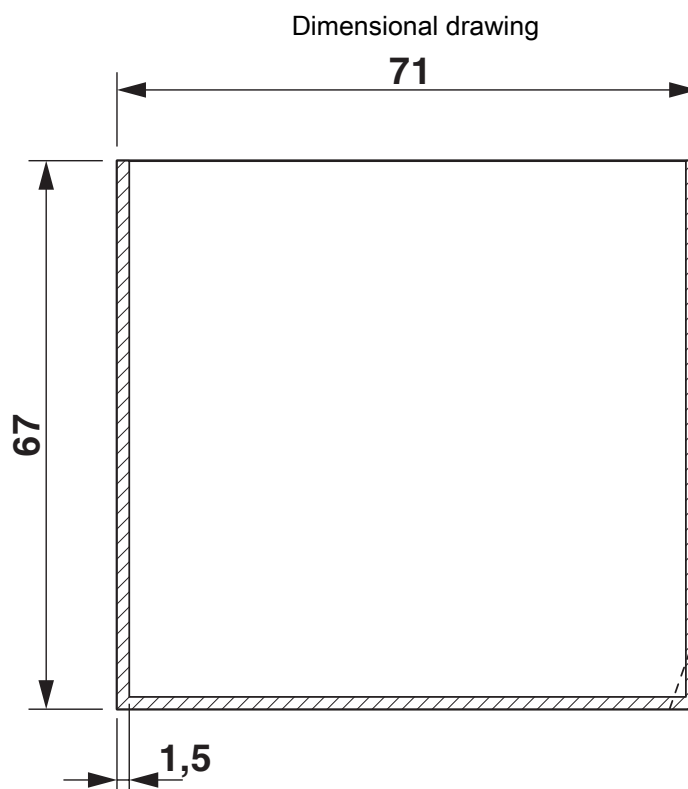
EG 45-A/PC GN - Upper housing part

2764878

<https://www.phoenixcontact.com/us/products/2764878>



valid for PCB 1; 3; 5 and 6, see explosion drawing



valid for PCB 7 and 12, see explosion drawing

EG 45-A/PC GN - Upper housing part

2764878

<https://www.phoenixcontact.com/us/products/2764878>



valid for PCB 10, see explosion drawing

EG 45-A/PC GN - Upper housing part

2764878

<https://www.phoenixcontact.com/us/products/2764878>



valid for PCB 13

EG 45-A/PC GN - Upper housing part

2764878

<https://www.phoenixcontact.com/us/products/2764878>



valid for PCB 14

EG 45-A/PC GN - Upper housing part

2764878

<https://www.phoenixcontact.com/us/products/2764878>



Approvals

To download certificates, visit the product detail page: <https://www.phoenixcontact.com/us/products/2764878>



UL Recognized

Approval ID: E240868

EG 45-A/PC GN - Upper housing part



2764878

<https://www.phoenixcontact.com/us/products/2764878>

Classifications

ECLASS

| | |
|-------------|----------|
| ECLASS-13.0 | 27190603 |
| ECLASS-15.0 | 27190603 |

ETIM

| | |
|-----------|----------|
| ETIM 10.0 | EC002779 |
|-----------|----------|

UNSPSC

| | |
|-------------|----------|
| UNSPSC 21.0 | 31261500 |
|-------------|----------|

EG 45-A/PC GN - Upper housing part



2764878

<https://www.phoenixcontact.com/us/products/2764878>

Environmental product compliance

EU RoHS

| | |
|---|--------------------|
| Fulfills EU RoHS substance requirements | Yes, No exemptions |
|---|--------------------|

China RoHS

| | |
|--|--|
| Environment friendly use period (EFUP) | EFUP-E |
| | No hazardous substances above the limits |

EU REACH SVHC

| | |
|-------------------------------------|----------------------------|
| REACH candidate substance (CAS No.) | No substance above 0.1 wt% |
|-------------------------------------|----------------------------|

Phoenix Contact 2026 © - all rights reserved
<https://www.phoenixcontact.com>

Phoenix Contact USA
586 Fulling Mill Road
Middletown, PA 17057, United States
(+717) 944-1300
info@phoenixcon.com