

# EG 45-GMFP/PC GN - Electronics housing



2764852

<https://www.phoenixcontact.com/us/products/2764852>

Please be informed that the data shown in this PDF document is generated from our online catalog. Please find the complete data in the user documentation. Our general terms of use for downloads are valid.



Housing base, with metal foot catch and test opening with side cover

The figure shows a fully mounted version of the electronic housing

## Commercial data

Item number	2764852
Packing unit	10 pc
Sales key	AC11
Product key	ACHCGA
GTIN	4017918131913
Weight per piece (including packing)	63.02 g
Weight per piece (excluding packing)	62.12 g
Customs tariff number	85389099
Country of origin	DE

2764852

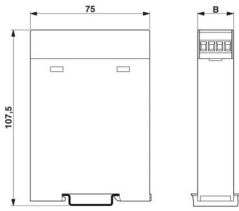
<https://www.phoenixcontact.com/us/products/2764852>

## Technical data

### Product properties

Housing type	Component housing
Type	Lower housing parts with test opening with side cover, housing cover necessary to complete the module
Number of positions	16

### Dimensions

Dimensional drawing	
Width	45 mm
Installed height	107.5 mm
Height NS 35/7,5	107.5 mm
Depth	75 mm
Length	75 mm

### Material specifications

Color	green
Flammability rating according to UL 94	V0
Housing material	PC

### Environmental and real-life conditions

#### Ambient conditions

Ambient temperature (operation)	-40 °C ... 125 °C
---------------------------------	-------------------

### Mounting

Mounting type	DIN rail mounting
---------------	-------------------

# EG 45-GMFP/PC GN - Electronics housing

2764852

<https://www.phoenixcontact.com/us/products/2764852>



## Drawings

Dimensional drawing



2764852

<https://www.phoenixcontact.com/us/products/2764852>

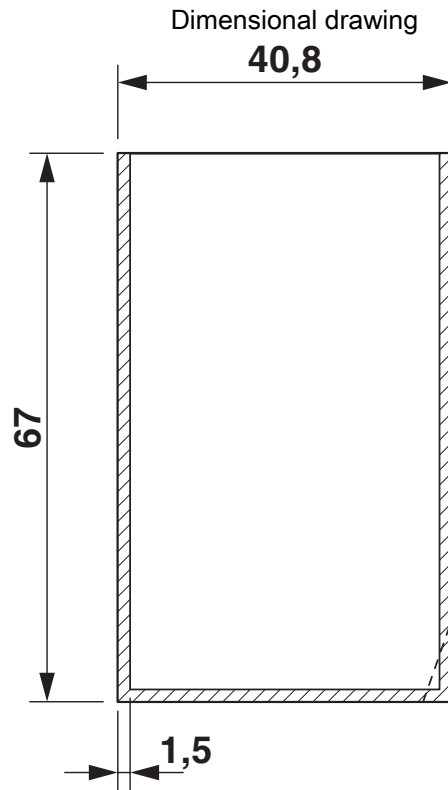


Component mounting side, if the double-level upper part is used

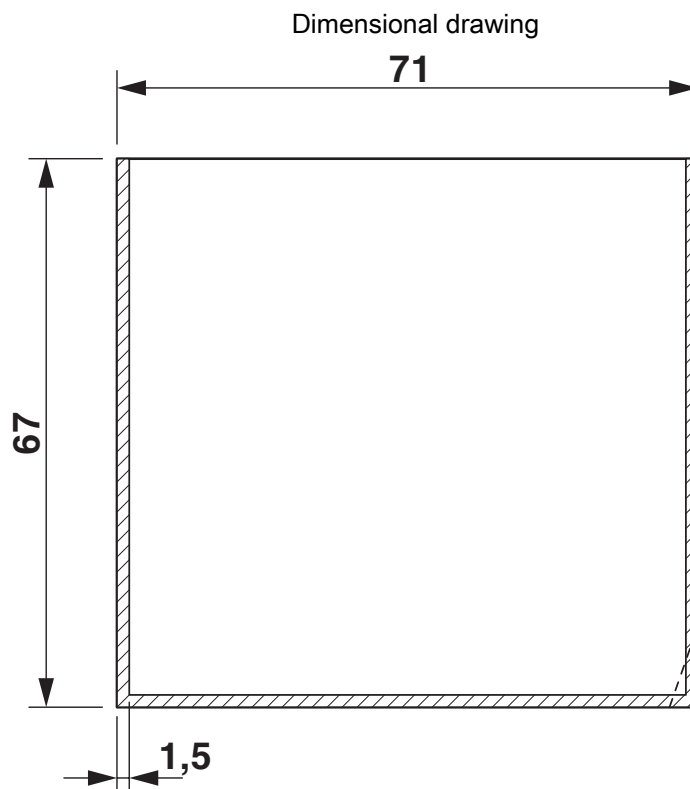
# EG 45-GMFP/PC GN - Electronics housing

2764852

<https://www.phoenixcontact.com/us/products/2764852>



valid for PCB 1; 3; 5 and 6, see explosion drawing



valid for PCB 7 and 12, see explosion drawing

# EG 45-GMFP/PC GN - Electronics housing

2764852

<https://www.phoenixcontact.com/us/products/2764852>



valid for PCB 10, see explosion drawing

# EG 45-GMFP/PC GN - Electronics housing

2764852

<https://www.phoenixcontact.com/us/products/2764852>



valid for PCB 13

# EG 45-GMFP/PC GN - Electronics housing

2764852

<https://www.phoenixcontact.com/us/products/2764852>



valid for PCB 14

# EG 45-GMFP/PC GN - Electronics housing



2764852

<https://www.phoenixcontact.com/us/products/2764852>

## Environmental product compliance

### China RoHS

Environment friendly use period (EFUP)	EFUP-E
	No hazardous substances above the limits

### EU REACH SVHC

REACH candidate substance (CAS No.)	No substance above 0.1 wt%
-------------------------------------	----------------------------

Phoenix Contact 2026 © - all rights reserved  
<https://www.phoenixcontact.com>

Phoenix Contact USA  
586 Fulling Mill Road  
Middletown, PA 17057, United States  
(+717) 944-1300  
[info@phoenixcon.com](mailto:info@phoenixcon.com)