

EG 45-GMF/PC GN - Mounting base housing



2764849

<https://www.phoenixcontact.com/us/products/2764849>

Please be informed that the data shown in this PDF document is generated from our online catalog. Please find the complete data in the user documentation. Our general terms of use for downloads are valid.



The figure shows a fully mounted version of the electronic housing

Component housing, Lower housing part with metal foot catch, without vents, width: 45 mm, height: 75 mm, color: green (similar RAL 6021), cross connection: without bus connector, number of positions cross connector: not relevant

Your advantages

- Tool-free mounting

Commercial data

Item number	2764849
Packing unit	10 pc
Minimum order quantity	10 pc
Sales key	AC11
Product key	ACHCGA
GTIN	4017918131906
Weight per piece (including packing)	64.47 g
Weight per piece (excluding packing)	62.118 g
Customs tariff number	85389099
Country of origin	PL

EG 45-GMF/PC GN - Mounting base housing

2764849

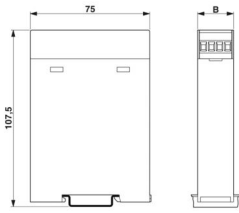
<https://www.phoenixcontact.com/us/products/2764849>

Technical data

Product properties

Product type	Lower housing part
Housing type	Component housing
Housing series	EG
Product family	EG...G
Type	Lower housing part closed, housing cover necessary to complete the module
Number of positions	16
Max. number of positions	0)
Ventilation openings present	no

Dimensions

Dimensional drawing	
Width	45 mm
Height	75 mm

PCB design

PCB thickness	1.4 mm ... 1.8 mm
---------------	-------------------

Material specifications

Color (Lower housing part)	green (RAL 6021)
Material	PC
Flammability rating according to UL 94	V0
Surface characteristics	untreated

Environmental and real-life conditions

Ambient conditions

Max. IP code to attain	IP20
Ambient temperature (operation)	-40 °C ... 105 °C (depending on power dissipation)
Ambient temperature (storage/transport)	-40 °C ... 70 °C
Ambient temperature (assembly)	-5 °C ... 100 °C

PCB data

Thickness of the PCB	1.4 mm ... 1.8 mm
----------------------	-------------------

Mounting

EG 45-GMF/PC GN - Mounting base housing



2764849

<https://www.phoenixcontact.com/us/products/2764849>

Mounting type	DIN rail mounting
---------------	-------------------

EG 45-GMF/PC GN - Mounting base housing

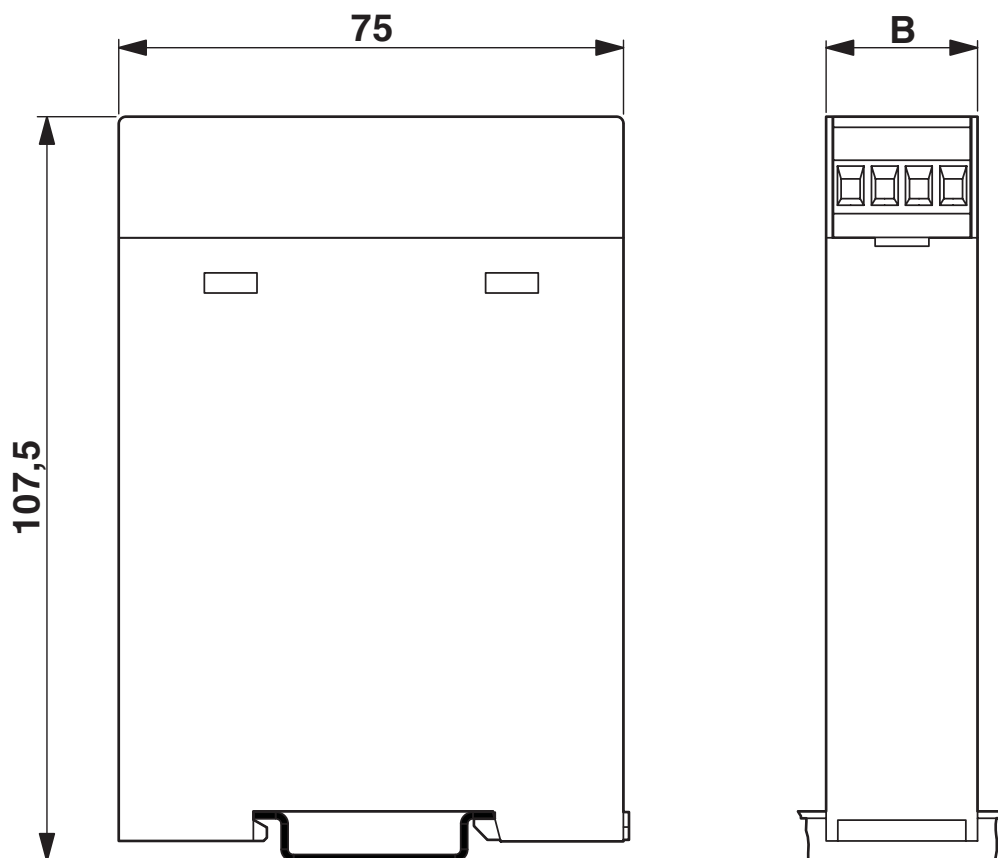
2764849

<https://www.phoenixcontact.com/us/products/2764849>



Drawings

Dimensional drawing



EG 45-GMF/PC GN - Mounting base housing

2764849

<https://www.phoenixcontact.com/us/products/2764849>

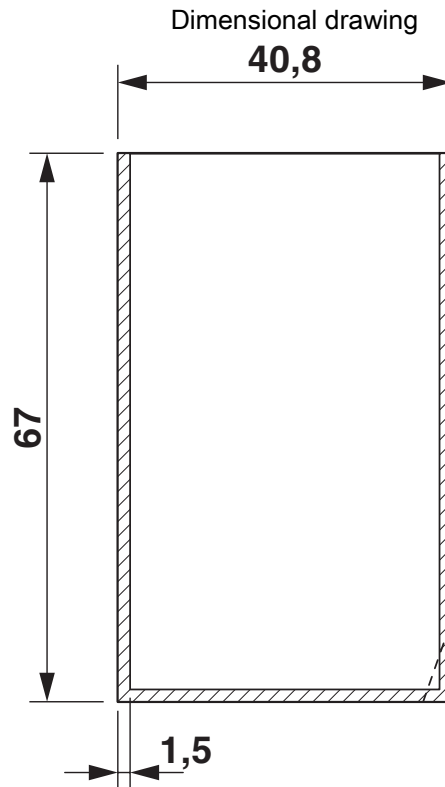


Component mounting side, if the double-level upper part is used

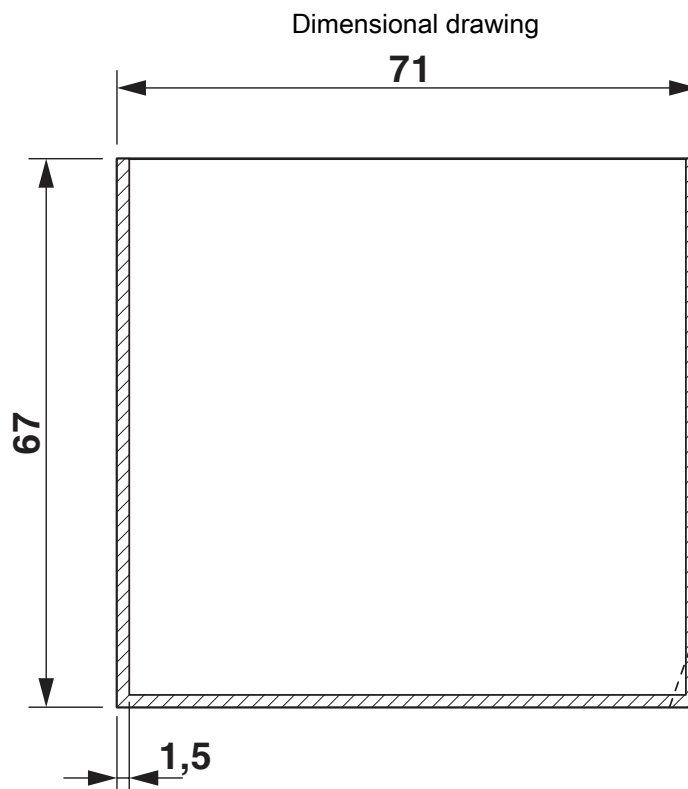
EG 45-GMF/PC GN - Mounting base housing

2764849

<https://www.phoenixcontact.com/us/products/2764849>



valid for PCB 1; 3; 5 and 6, see explosion drawing

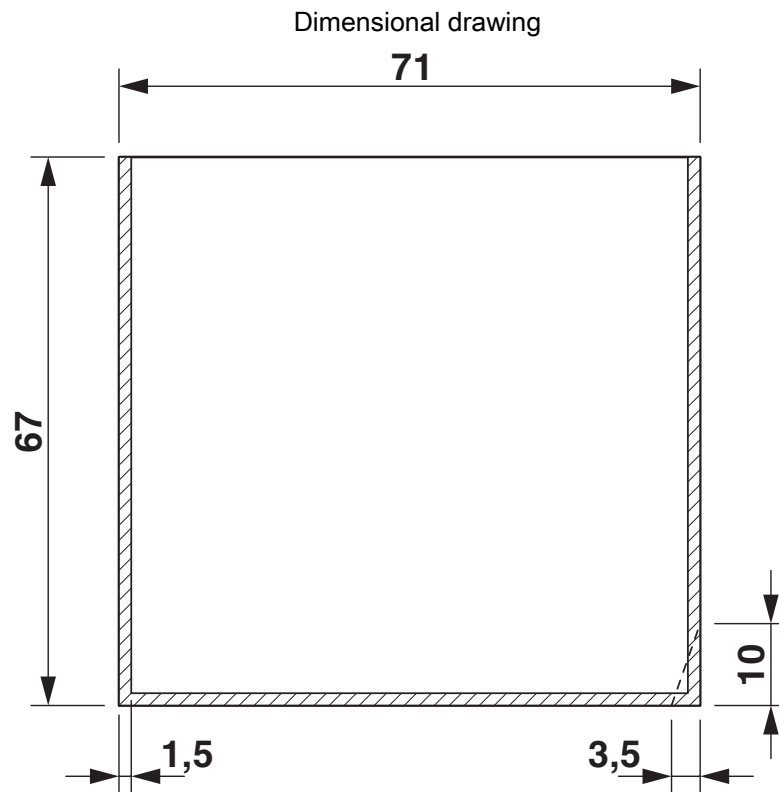


valid for PCB 7 and 12, see explosion drawing

EG 45-GMF/PC GN - Mounting base housing

2764849

<https://www.phoenixcontact.com/us/products/2764849>

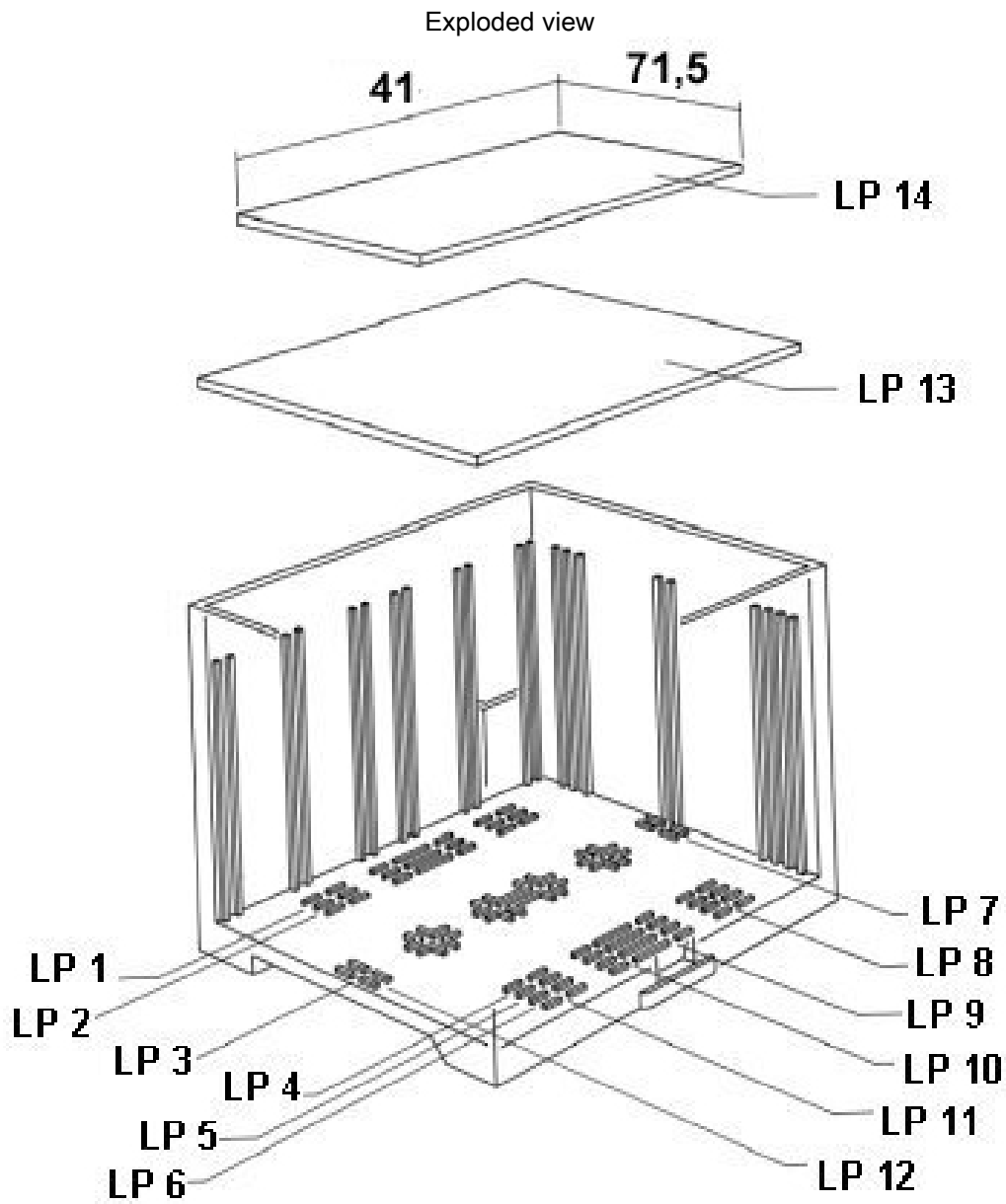


valid for PCB 10, see explosion drawing

EG 45-GMF/PC GN - Mounting base housing

2764849

<https://www.phoenixcontact.com/us/products/2764849>

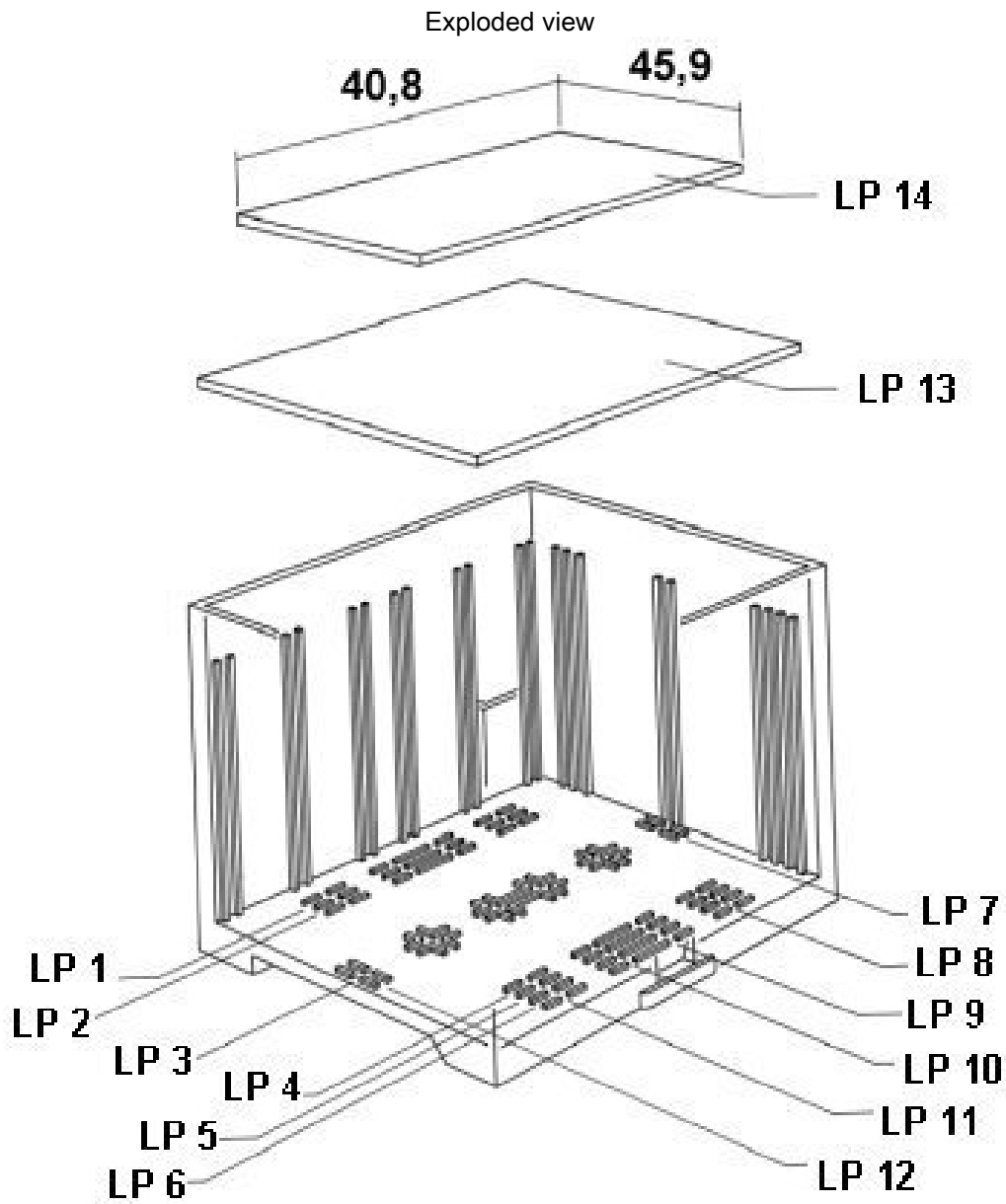


valid for PCB 13

EG 45-GMF/PC GN - Mounting base housing

2764849

<https://www.phoenixcontact.com/us/products/2764849>



valid for PCB 14

EG 45-GMF/PC GN - Mounting base housing



2764849

<https://www.phoenixcontact.com/us/products/2764849>

Approvals

To download certificates, visit the product detail page: <https://www.phoenixcontact.com/us/products/2764849>



UL Recognized

Approval ID: E240868

EG 45-GMF/PC GN - Mounting base housing



2764849

<https://www.phoenixcontact.com/us/products/2764849>

Classifications

ECLASS

ECLASS-13.0	27190601
ECLASS-15.0	27190601

ETIM

ETIM 10.0	EC002779
-----------	----------

UNSPSC

UNSPSC 21.0	31261500
-------------	----------

EG 45-GMF/PC GN - Mounting base housing



2764849

<https://www.phoenixcontact.com/us/products/2764849>

Environmental product compliance

EU RoHS

Fulfills EU RoHS substance requirements	Yes, No exemptions
---	--------------------

China RoHS

Environment friendly use period (EFUP)	EFUP-E
	No hazardous substances above the limits

EU REACH SVHC

REACH candidate substance (CAS No.)	No substance above 0.1 wt%
-------------------------------------	----------------------------

Phoenix Contact 2026 © - all rights reserved
<https://www.phoenixcontact.com>

Phoenix Contact USA
586 Fulling Mill Road
Middletown, PA 17057, United States
(+717) 944-1300
info@phoenixcon.com